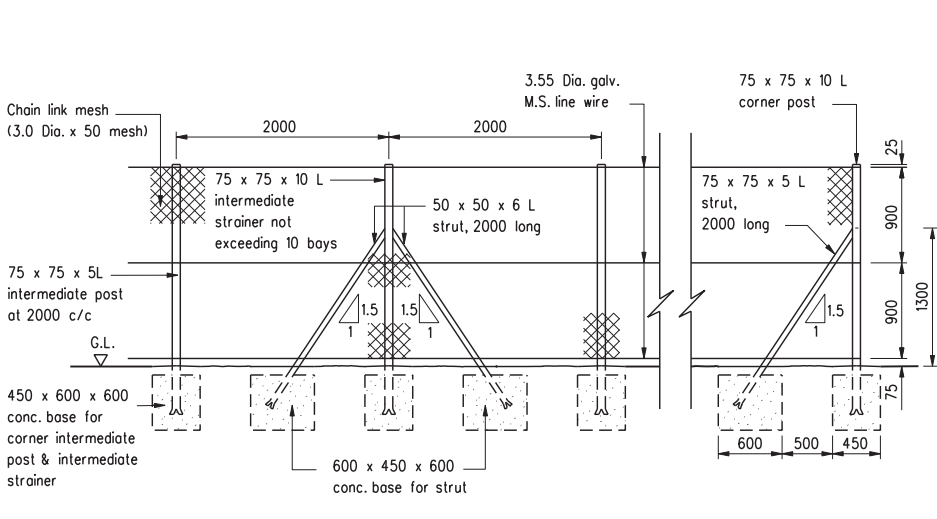
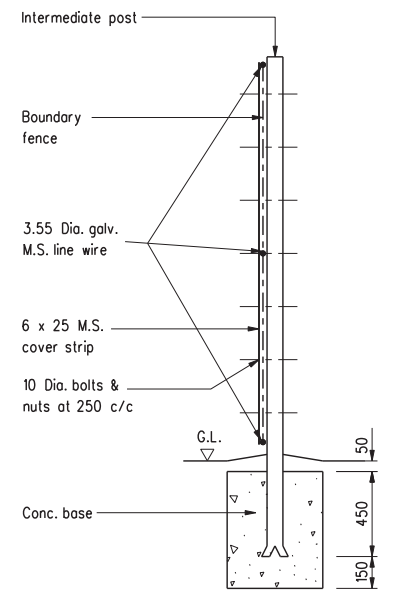


- Legend:**
- Partially collapsed wall or free standing wall
 - Collapsed Wall
 - + Safety Fencing
 - Existing Path to Lei Uk
 - Proposed Temporary Footbridge



**ELEVATION OF INTERMEDIATE POST
INTERMEDIATE STRAINER & CORNER POST**

Scale 1:50

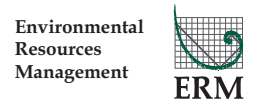


INTERMEDIATE POST

Scale 1:25

Notes :
1. Dimensions are in millimetres.

Figure 3.3 Proposed Safety Fencing at Lei Uk and Indicative Fencing Details



FILE: 0099337g1
DATE: 15/09/2009