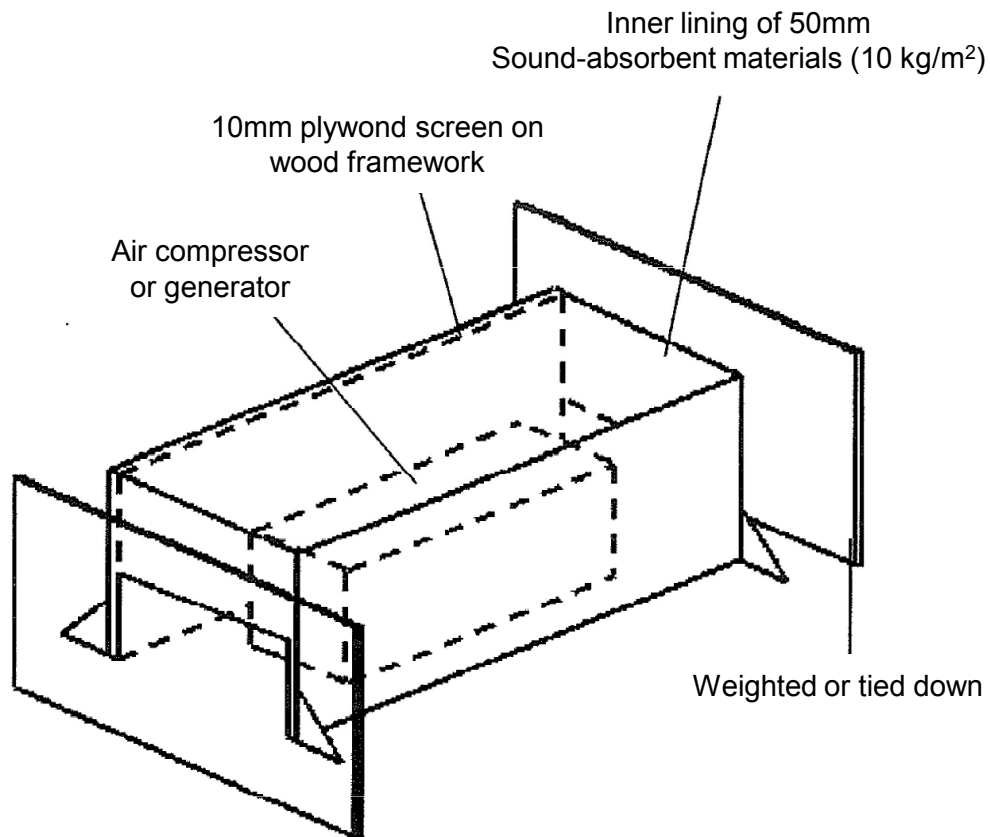


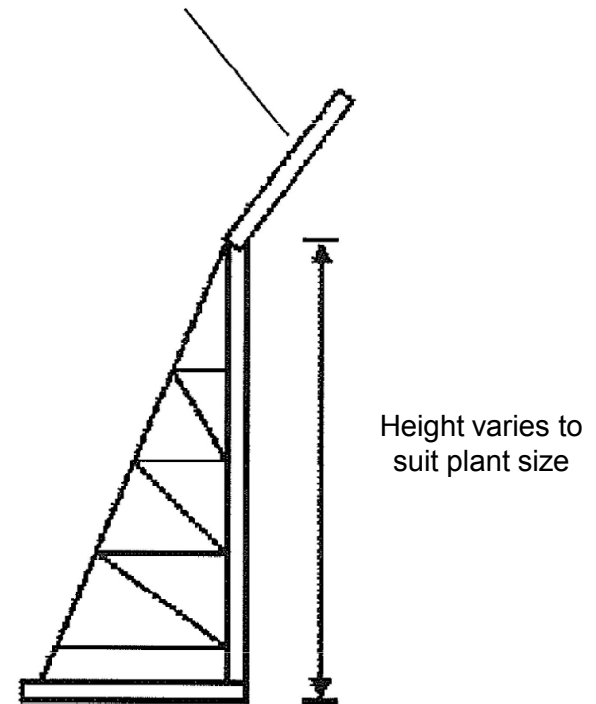
Appendix 5.4B

**Sketch of Typical Temporary
Noise Barrier / Enclosure**



Typical Noise Enclosure for Static Plant (e.g. Air Compressors, Generators etc.)
~3-4m wall

Minimum surface density of 7 kg/m²



Typical Section of Temporary Movable Noise Barrier
(3-5m tall)