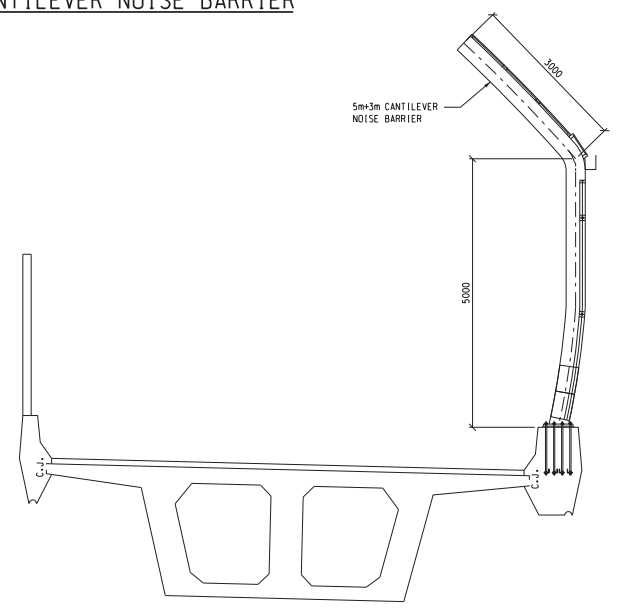
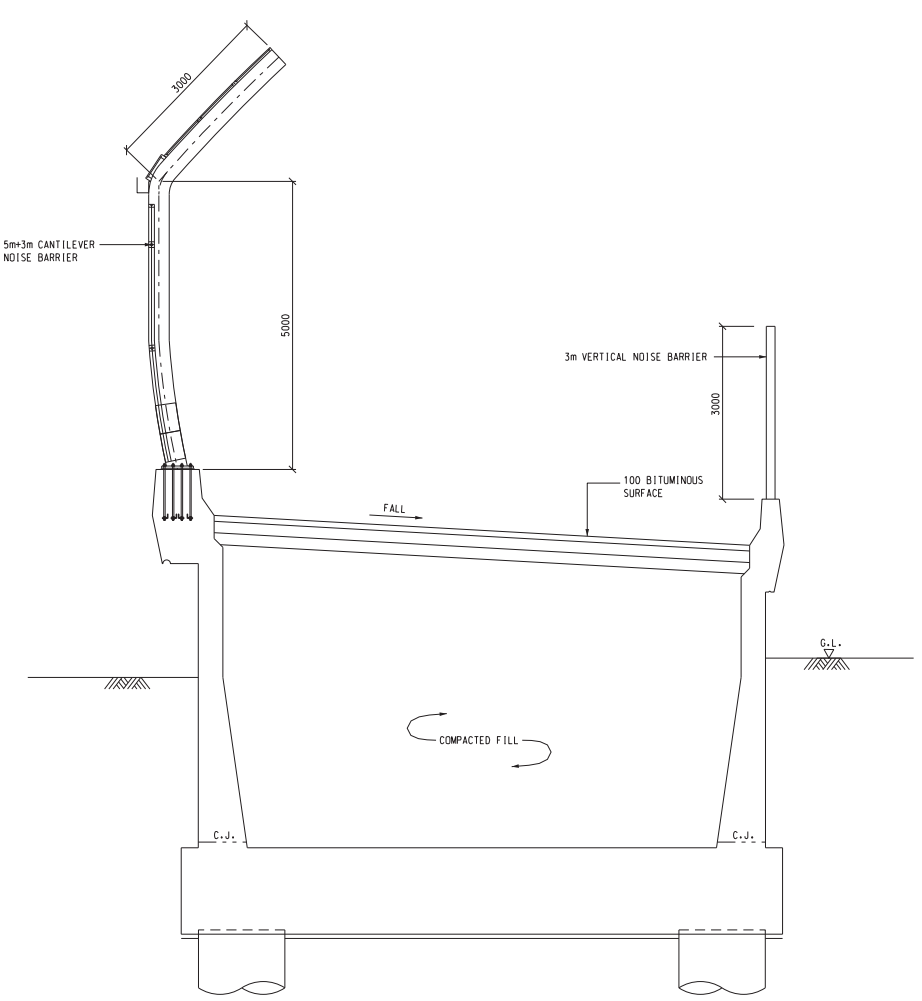


TYPICAL PART ELEVATION OF CANTILEVERED BARRIER
 TYPICAL CROSS SECTION OF CANTILEVERED BARRIER
 CANTILEVER NOISE BARRIER



Rev	Description	By	Date

Consultant
ARUP **Mott MacDonald**

Project Title
 AGREEMENT NO. CE43/2010 (HY)
 CENTRAL KOWLOON ROUTE -
 DESIGN AND CONSTRUCTION

Drawing Title
 YAU MA TEI NOISE BARRIERS -
 TYPICAL CANTILEVER BARRIER
 SECTIONS

Drawing No.	10.10.10	Rev.	
Drawn	Date JAN 2013	Checked	Approved
Scale	NTS	Status	

COPYRIGHT RESERVED
 路政署
HIGHWAYS DEPARTMENT
 主要工程管理處
 MAJOR WORKS PROJECT MANAGEMENT OFFICE