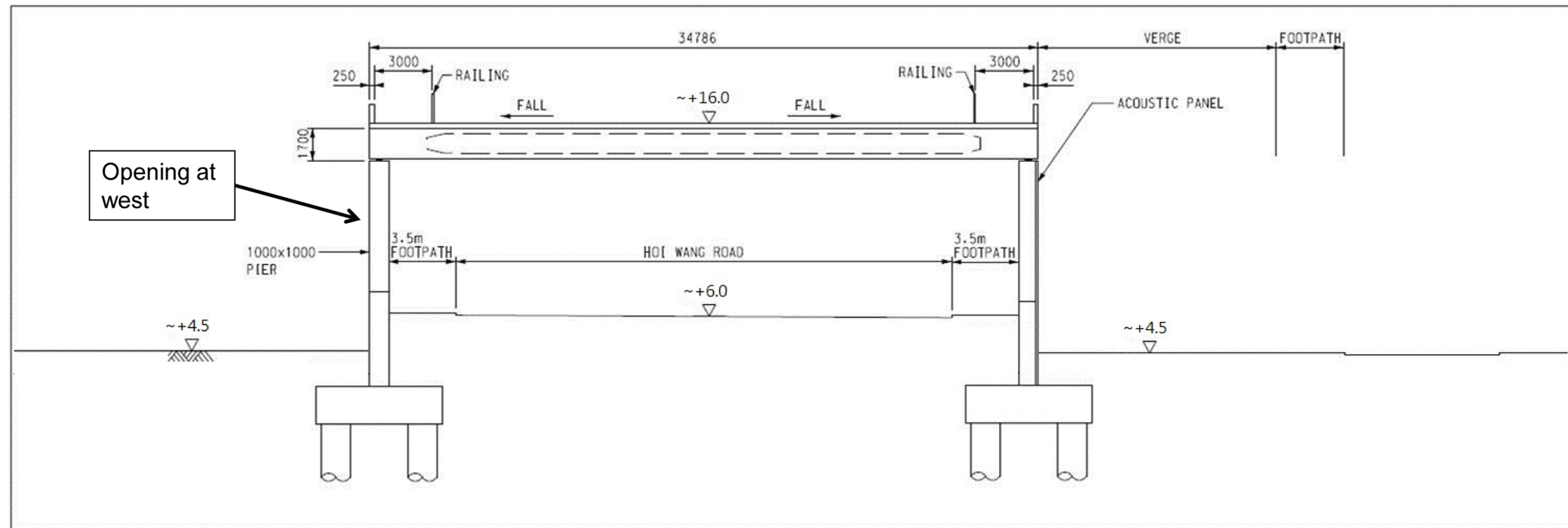


Section H - H



Section J - J

Rev	Description	By	Date

Consultant



Project Title
 AGREEMENT NO. CE43/2010 (HY)
 CENTRAL KOWLOON ROUTE -
 DESIGN AND CONSTRUCTION

Drawing Title
 LANDSCAPE DECK AT YAU MA TEI -
 SEMI-ENCLOSURE SECTION

Drawn	Date JAN 2013	Checked	Approved
Scale NTS	Status		

COPYRIGHT RESERVED

