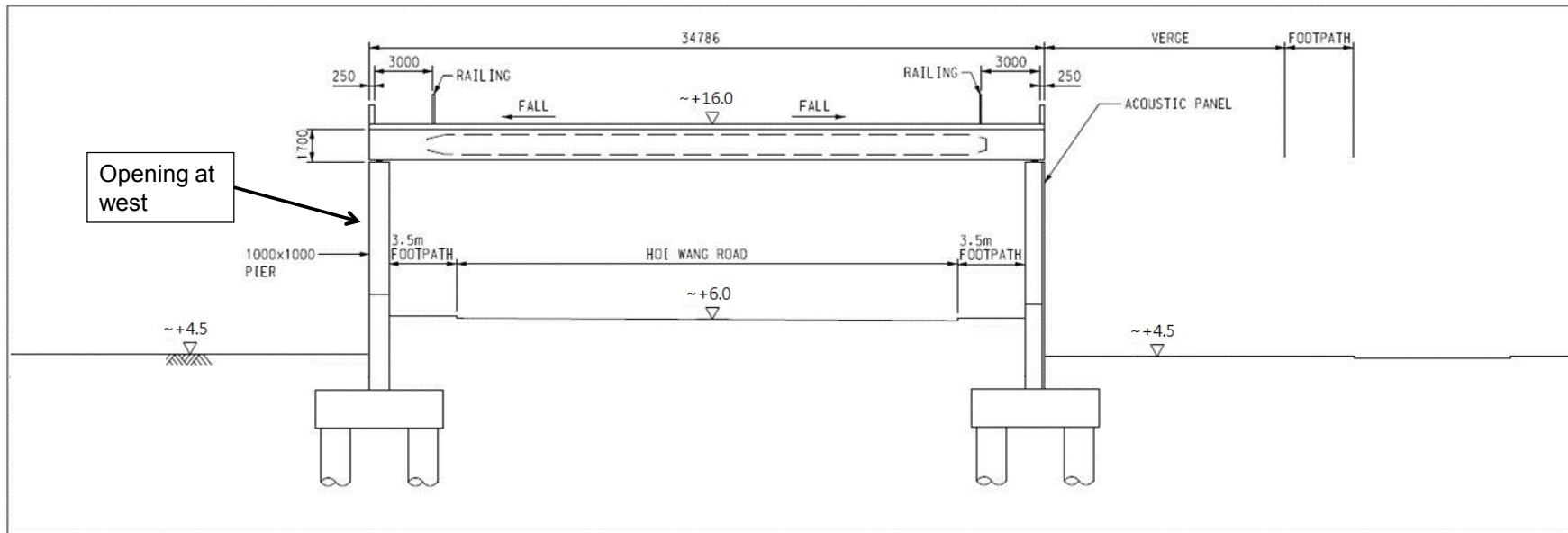


Section H - H



Section J - J

A		FIRST ISSUE	
Rev	Description	By	Date
Consultant			
ARUP		Mott MacDonald	
Project title			
Agreement No. CE 43/2010 (HY)			
Central Kowloon Route - Design and Construction			
Drawing title			
Elevations of Landscape Deck			
(Sheet 4 of 9)			
Drawing no.		Rev.	
FIGURE 5.6i		A	
Drawn	Date	Checked	Approved
EC	12/11	LT	FC
Scale	N.T.S	Status	PRELIMINARY

