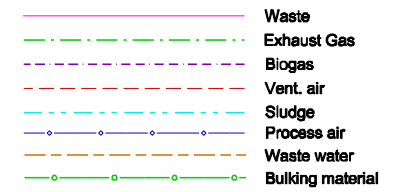
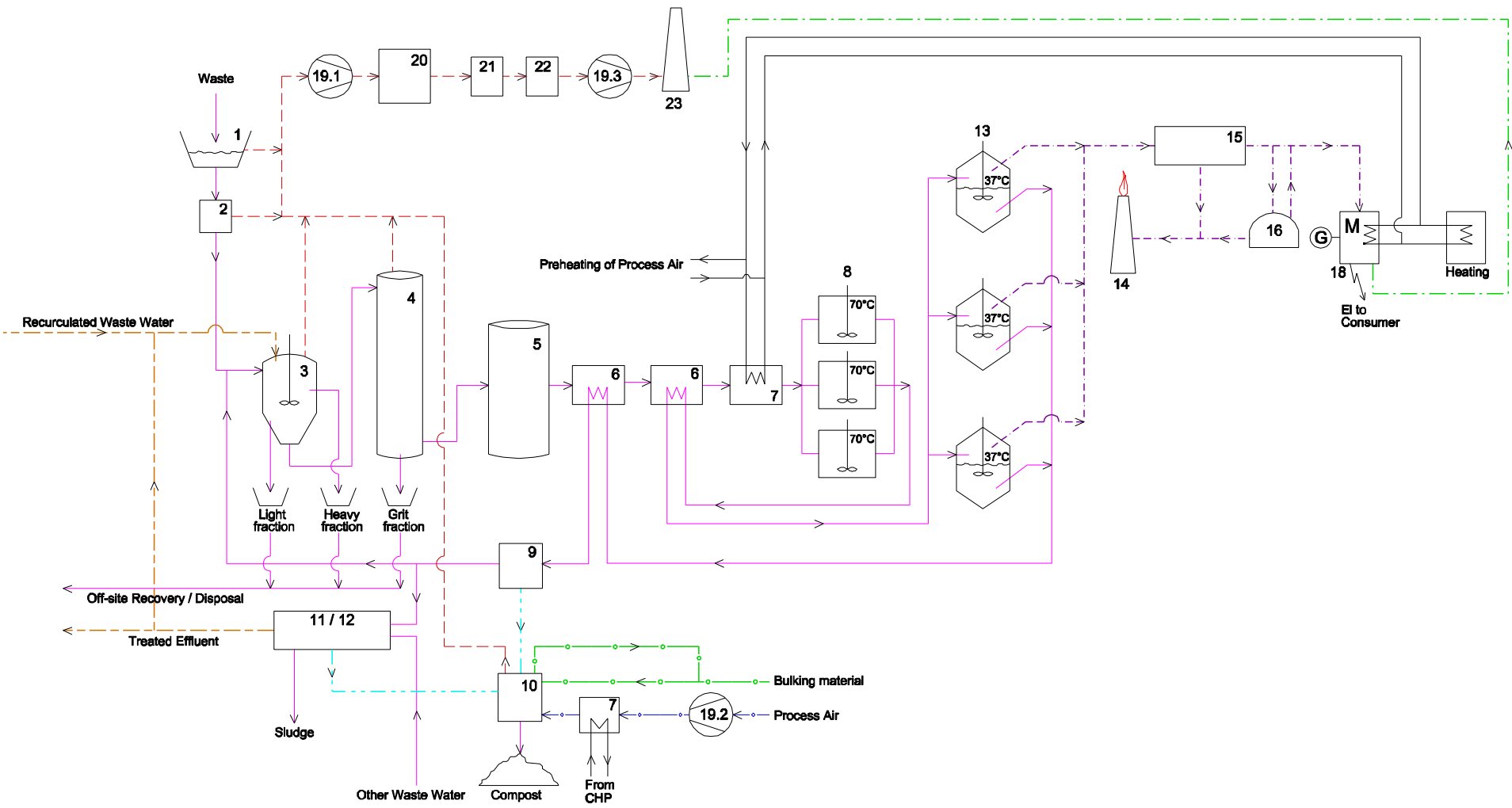


Notes

Key to symbols



	UNIT
1	Reception
2	Preparation system
3	Pulper
4	Grit removal system
5	Suspension buffer tank
6	Heat Exchangers (Recovery)
7	Heat Exchangers (Heating)
8	Hygienisation
9	Separator
10	Composting system
11 / 12	WWTP
13	3 x Digesters
14	Flare
15	Gascleaning system
16	Gasholders
18	CHP
19.1-2-3	Ventilator
20	PH adjustment
21	Ozone / UV
22	Carbon filter
23	Chimney



Reference drawings

P1	MAY 13	MING	FIRST ISSUE	MR	AFK
Rev	Date	Drawn	Description	Ch'k'd	App'd



20/F Two Landmark East
100 How Ming Street
Kowloon
Hong Kong
T +852 2828 5757
F +852 2827 1823
www.mottmac.com.hk

Client



Project

AGREEMENT NO. CE34/2011(EP)
DEVELOPMENT OF ORGANIC WASTE
TREATMENT FACILITIES PHASE 2 -
FEASIBILITY STUDY

Title

PROCESS FLOW DIAGRAM
BIOGAS OPTION A (CHP)

Designed	MR	Eng check	AT
Drawn	MING	Coordination	AT
Dwg check	MR	Approved	AFK
Scale at A1	-	Status	Rev
		PRE	P1

Drawing Number

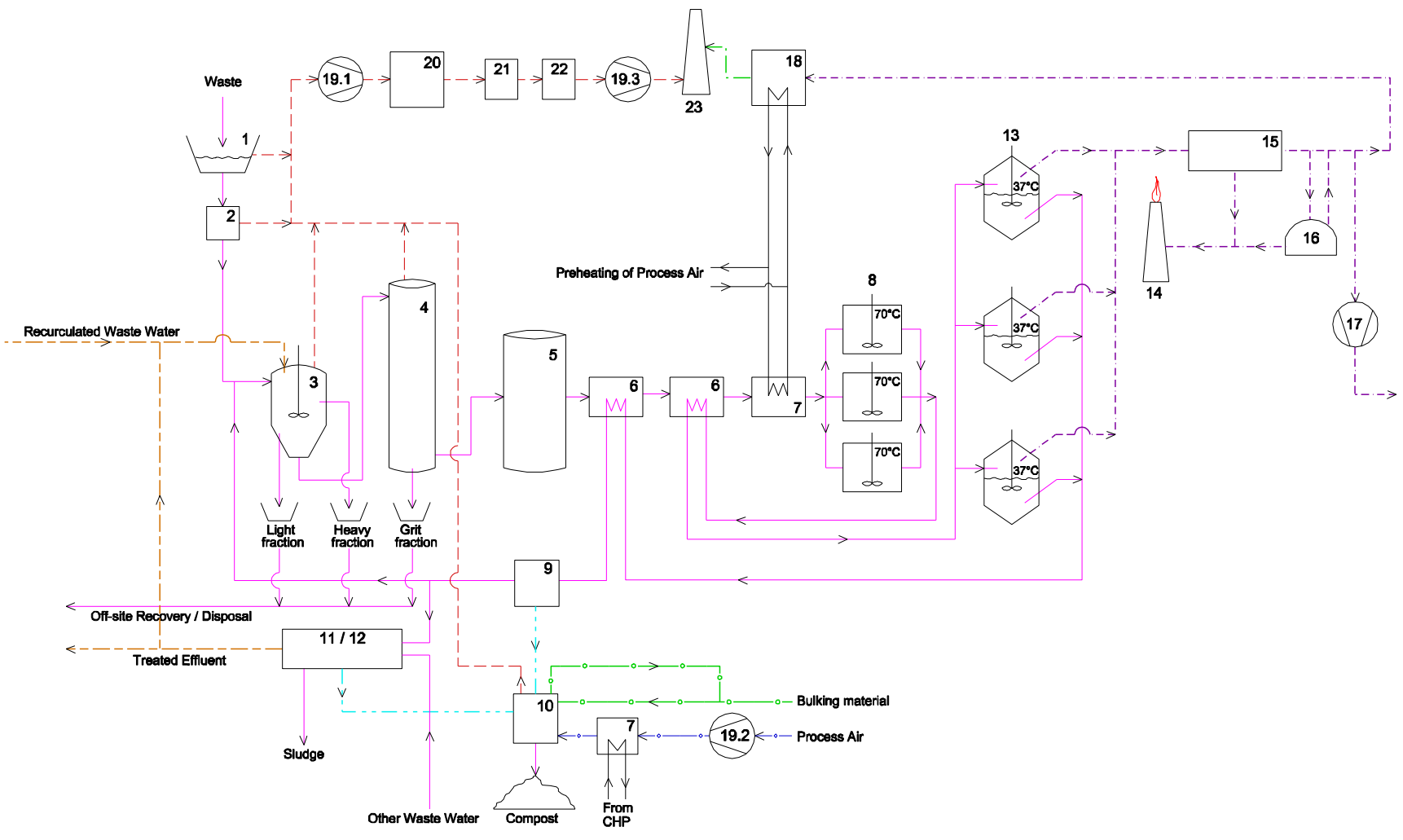
FIGURE 2.3a

Notes

Key to symbols

	Waste
	Exhaust Gas
	Biogas
	Vent. air
	Sludge
	Process air
	Waste water
	Bulking material

	UNIT
1	Reception
2	Preparation system
3	Pulper
4	Grit removal system
5	Suspension buffer tank
6	Heat Exchangers (Recovery)
7	Heat Exchangers (Heating)
8	Hygienisation
9	Separator
10	Composting system
11 / 12	WWTP
13	3 x Digesters
14	Flare
15	Gascleaning system
16	Gas Compressor
17	Boiler
18	Chimney
19.1-2-3	Ventilator
20	PH adjustment
21	Ozone / UV
22	Carbon filter
23	Chimney



Reference drawings

Rev	Date	Drawn	Description	Ch'k'd	App'd
P1	MAY 13	MING	FIRST ISSUE	MR	AFK



Project
**AGREEMENT NO. CE34/2011(EP)
 DEVELOPMENT OF ORGANIC WASTE
 TREATMENT FACILITIES PHASE 2 -
 FEASIBILITY STUDY**

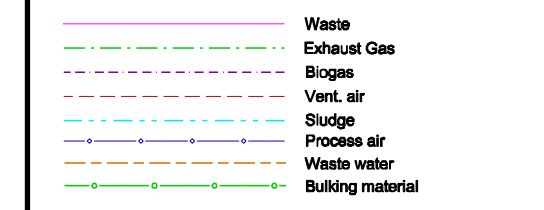
Title
**PROCESS FLOW DIAGRAM
 BIOGAS OPTION BI
 (GAS EXPORT)**

Designed	MR	Eng check	AT
Drawn	MING	Coordination	AT
Dwg check	MR	Approved	AFK
Scale at A1	-	Status	Rev
		PRE	P1

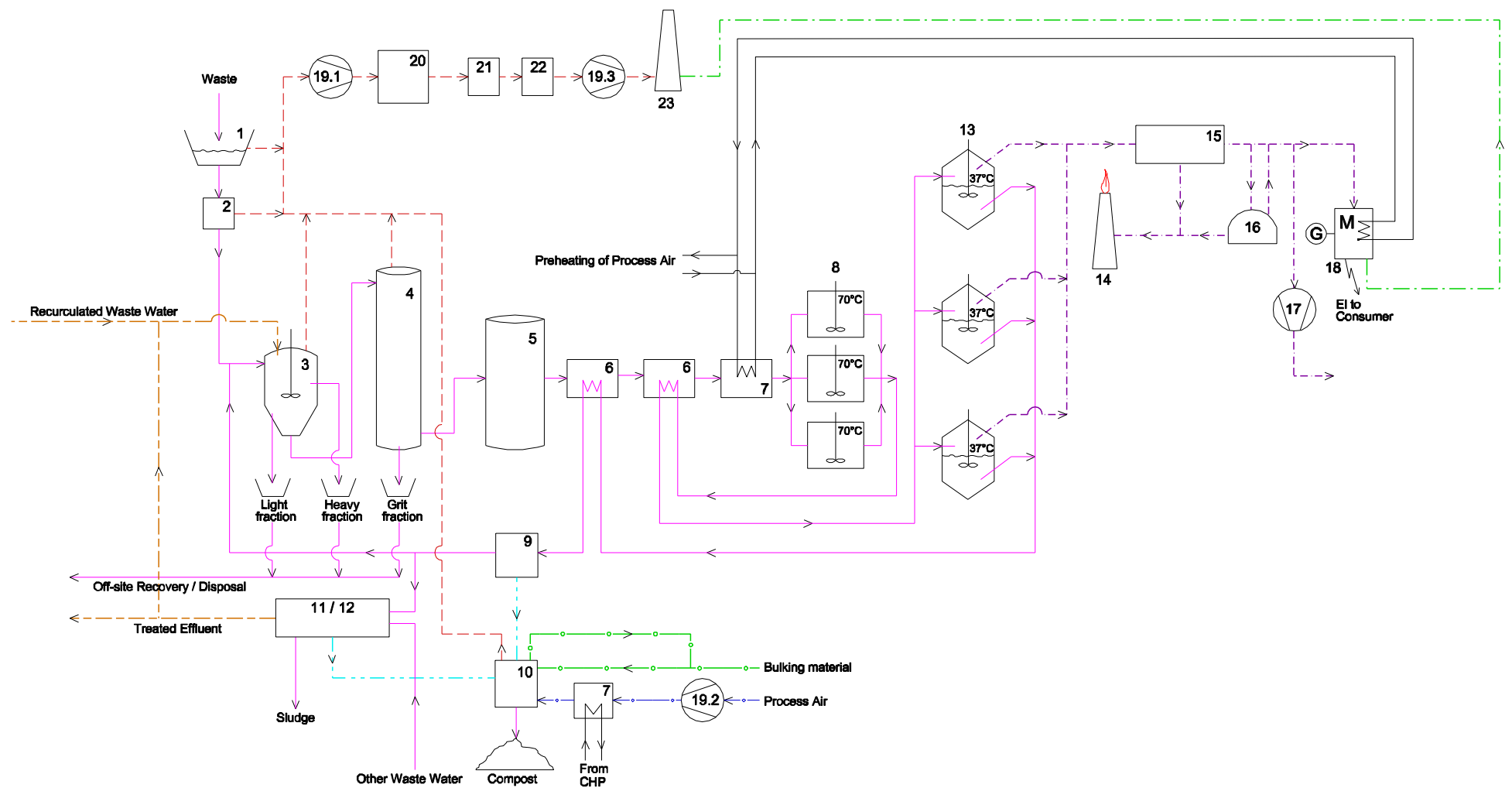
Drawing Number
FIGURE 2.3bi

Notes

Key to symbols



	UNIT
1	Reception
2	Preparation system
3	Pulper
4	Grit removal system
5	Suspension buffer tank
6	Heat Exchangers (Recovery)
7	Heat Exchangers (Heating)
8	Hygienisation
9	Separator
10	Composting system
11 / 12	WWTP
13	3 x Digesters
14	Flare
15	Gascleaning system
16	Gasholders
17	Gas Compressor
18	CHP
19.1-2-3	Ventilator
20	PH adjustment
21	Ozone / UV
22	Carbon filter
23	Chimney



Reference drawings

Rev	Date	Drawn	Description	Ch'k'd	App'd
P1	MAY 13	MING	FIRST ISSUE	MR	AFK

Client
 Environmental Protection Department
 The Government of the Hong Kong
 Special Administrative Region

Project
**AGREEMENT NO. CE34/2011(EP)
 DEVELOPMENT OF ORGANIC WASTE
 TREATMENT FACILITIES PHASE 2 -
 FEASIBILITY STUDY**

Title
**PROCESS FLOW DIAGRAM
 BIOGAS OPTION Bii
 (CHP / GAS EXPORT)**

Designed	MR	Eng check	AT
Drawn	MING	Coordination	AT
Dwg check	MR	Approved	AFK
Scale at A1	-	Status	Rev
		PRE	P1

Drawing Number
FIGURE 2.3bii