

Notes

Key to symbols

Reference drawings

Rev	Date	Drawn	Description	Ch'g'd	App'd



20/F Two Landmark East
100 How Ming Street
Kowloon
Hong Kong
T +852 2828 8787
F +852 2827 1823
W www.mottmac.com.hk

Client



Environmental Protection Department
The Government of the Hong Kong
Special Administrative Region

Project

**AGREEMENT NO. CE34/2011(EP)
DEVELOPMENT OF ORGANIC WASTE
TREATMENT FACILITIES PHASE 2 -
FEASIBILITY STUDY**

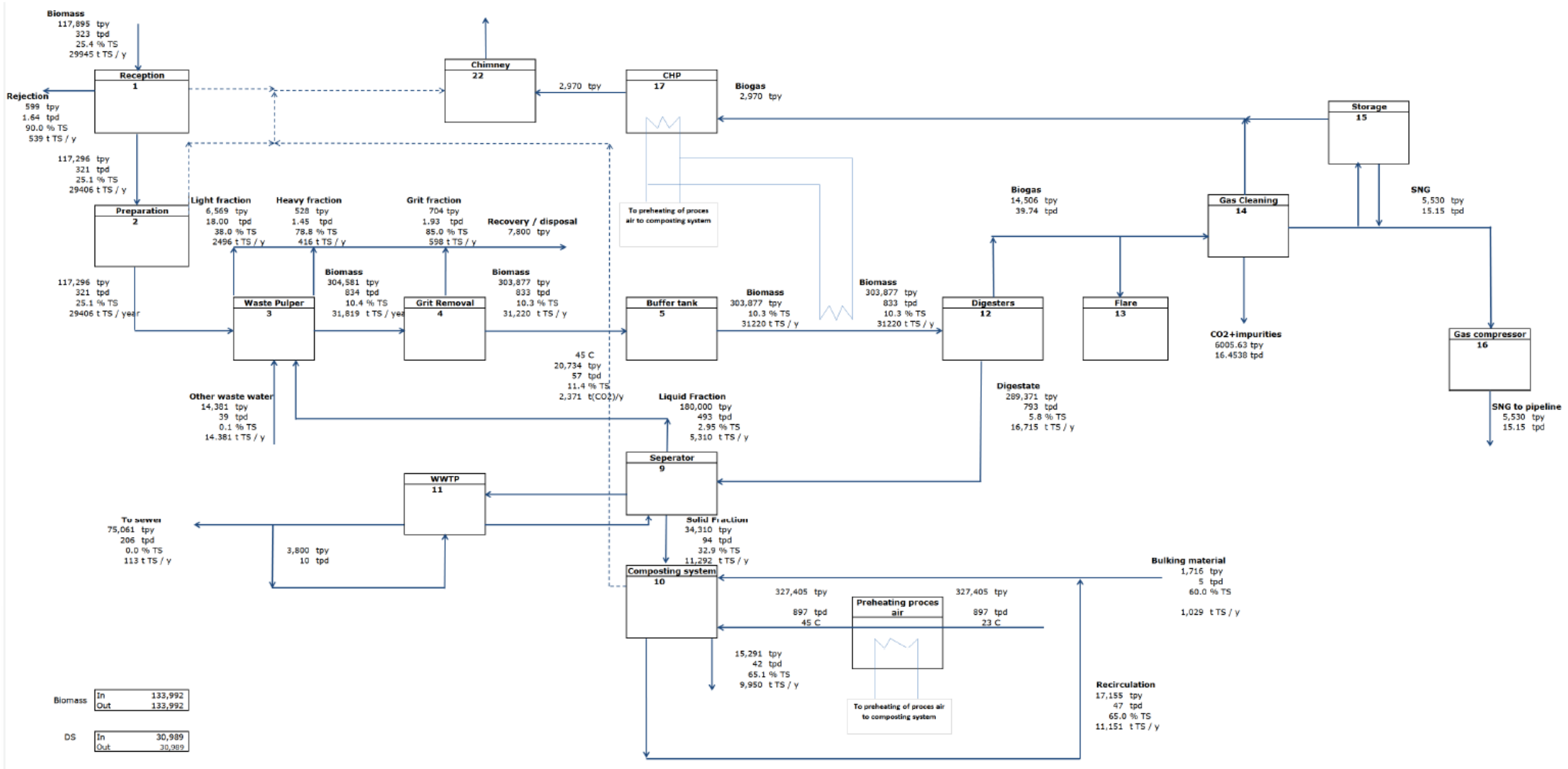
Title

**MASS BALANCE DIAGRAM
FOR OWTF2**

Designed	MR	Eng check	AJT
Drawn	MING	Coordination	AJT
Dwg check	MR	Approved	AFK
Scale at A1	Status	Rev	P1
NTS		PRE	P1

Drawing Number

FIGURE 4.7



Biomass	In	133,992
	Out	133,992
DS	In	30,989
	Out	30,989