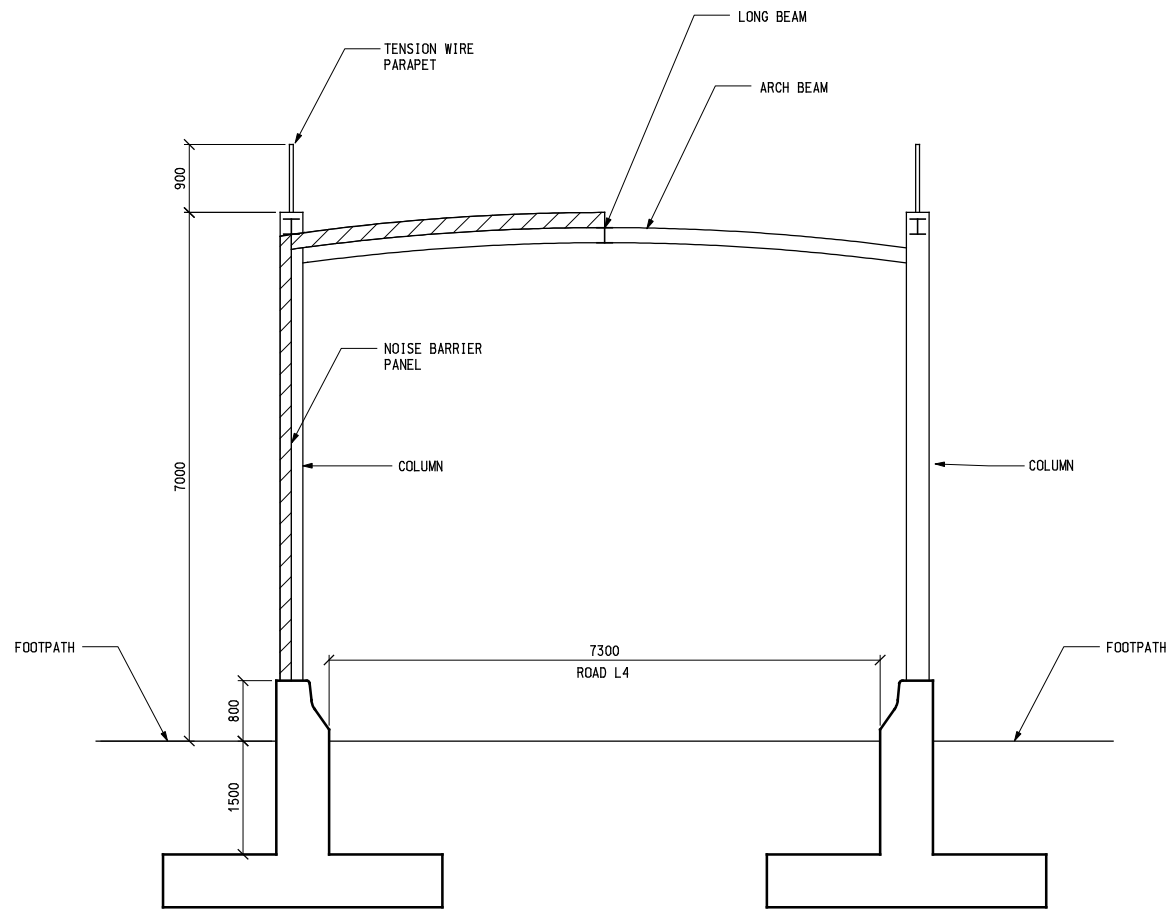


KEY PLAN

LEGEND

- Study Area
- Proposed Semi-enclosure Noise Barrier



TYPICAL SECTION OF SEMI-ENCLOSURE NOISE BARRIER  
SCALE 1:100@A3

Rev	Description	By	Date
A	FIRST ISSUE	KL	01/14

Consultant  
**ARUP**

Contract No. and Title  
**Agreement No. CE 18/2012(CE)**  
**Development of Anderson Road Quarry - Investigation**

Drawing title  
**Typical Cross Section of the Proposed Semi-enclosure Noise Barrier**

Drawing no. <b>227724/E/2221</b>		Rev. <b>A</b>	
Drawn A.L.IE	Date 01/14	Checked CL	Approved SYC
Scale 1:2000 @A3		Status PRELIMINARY	

COPYRIGHT RESERVED



Printed by : 3/19/2014  
Filename : G:\env\project\227724-50\13 Drawing Deliverables\07 EIA\02 Revised draft\Ch 5 - Noise\227724\_E\_2221\_A - Typical Cross Section of The Proposed Semi-enclosure.dgn