

Appendix 5.3 Airlifting Wastewater to Wastewater Treatment Facility

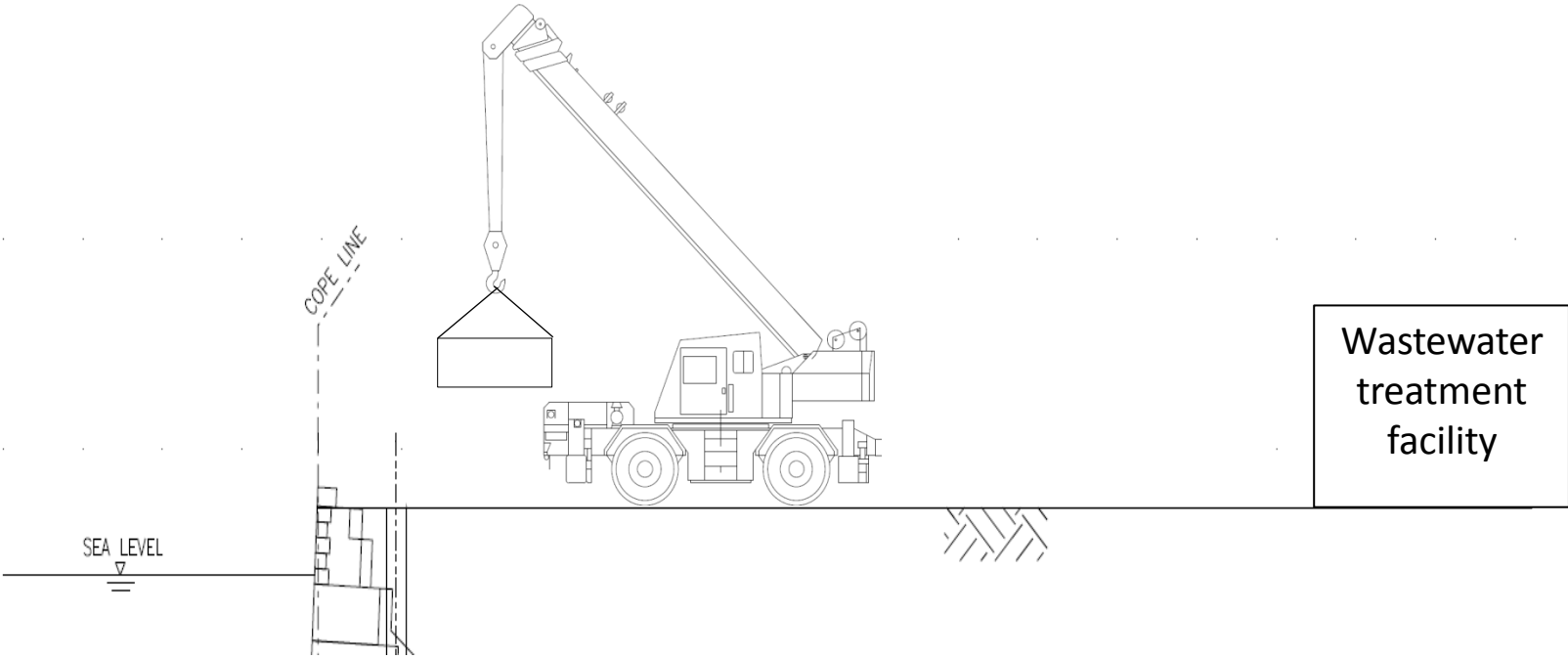
Appendix 5.3: Airlifting Wastewater to Wastewater Treatment Facility

1. Water generated from pipe pile installation is collected with a tank



Appendix 5.3: Airlifting Wastewater to Wastewater Treatment Facility

2. The tank is then lifted using a crane.



Appendix 5.3: Airlifting Wastewater to Wastewater Treatment Facility

3. The tank is transferred to the wastewater treatment facilities for treatment

