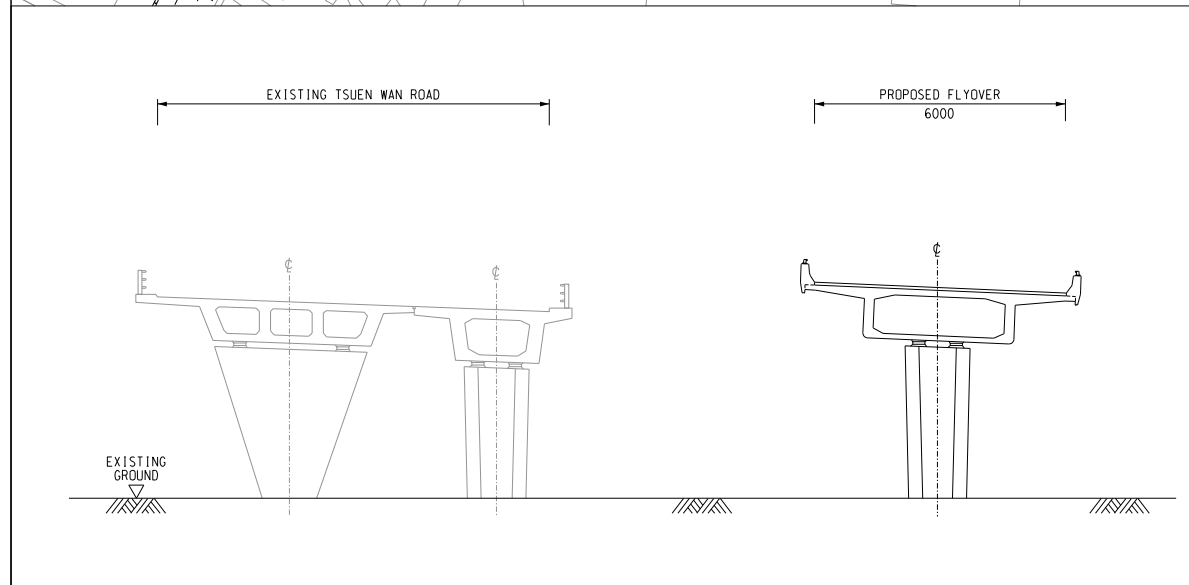


LEGEND:

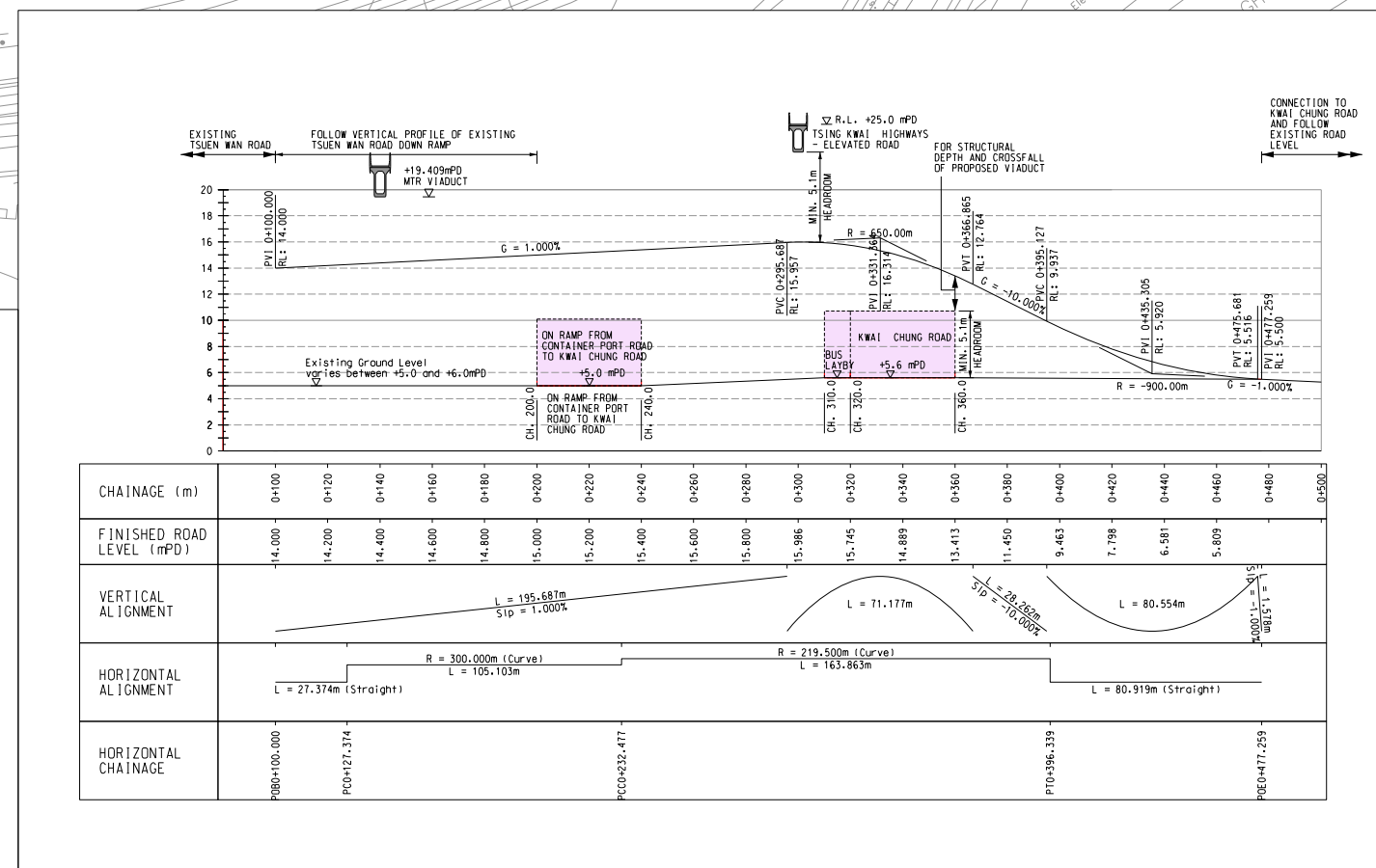
- EXISTING TRAFFIC DIRECTION (ONE ARROW REPRESENTS ONE LANE)
- PROPOSED VIADUCT / WIDENING OF BRIDGE DECK
- OPTION 2: ROUTING
- PROPOSED REPROVISIONED FOOTBRIDGE
- DRAINAGE RESERVE
- PROPOSED NOISE ENCLOSURE
- PROPOSED MOVEMENT JOINT BETWEEN EXISTING AND PROPOSED STRUCTURES
- PROPOSED MONOLITHIC STITCHED JOINT BETWEEN EXISTING AND PROPOSED STRUCTURES
- EXISTING COLUMN
- PROPOSED COLUMN
- PROPOSED PORTAL FRAME SPAN ACROSS DRAINAGE RESERVE
- ROUTE 3 - TO TSM SHA TSUI, HONG KONG (W), LANTAU
- ROUTE 5 - TO KWUN TONG, LAI CHI KOK, MONG KOK
- EXISTING ROAD LEVEL IN mPD (APPROX.)
- PROPOSED ROAD LEVEL IN mPD (APPROX.)

ABBREVIATIONS:

- PVI - POINT OF VERTICAL INTERSECTION
- PVC - POINT OF VERTICAL CURVATURE
- PVT - POINT OF VERTICAL TANGENCY
- RL - FINISHED ROAD LEVEL



SECTION 1 - 1
SCALE N.T.S.



VERTICAL PROFILE
SCALE N.T.S.

Rev.	Date	Description	Drawn	Checked
C	MAY13	MINOR AMENDMENT	ELVIS	ESH
B	APR13	EXISTING MTR'S COLUMNS ADDED	ELVIS	ESH
A	MAR13	PROPOSED FOOTBRIDGE REVISED, COLUMNS AND GRID ADDED	ELVIS	ESH

CEED 土木工程拓展署
Civil Engineering and Development Department

OFFICE
NEW TERRITORIES NORTH AND WEST DEVELOPMENT OFFICE

AGREEMENT NO. CE 8/2012 (HY)
FLYOVER FROM KWAI TSING INTERCHANGE UP RAMP TO KWAI CHUNG ROAD - INVESTIGATION

OPTION 2: SEPARATE VIADUCT ON WEST SIDE OF TWR (DESIGN SPEED 50KM/H)

Drawing No. 圖則編號	FIGURE 2.5			
Designed 設計	HC	Drawn 繪圖	CMH	Checked 校核
Approved 校核	TSN	Date 日期	12/14	Status 校核 PRELIMINARY

