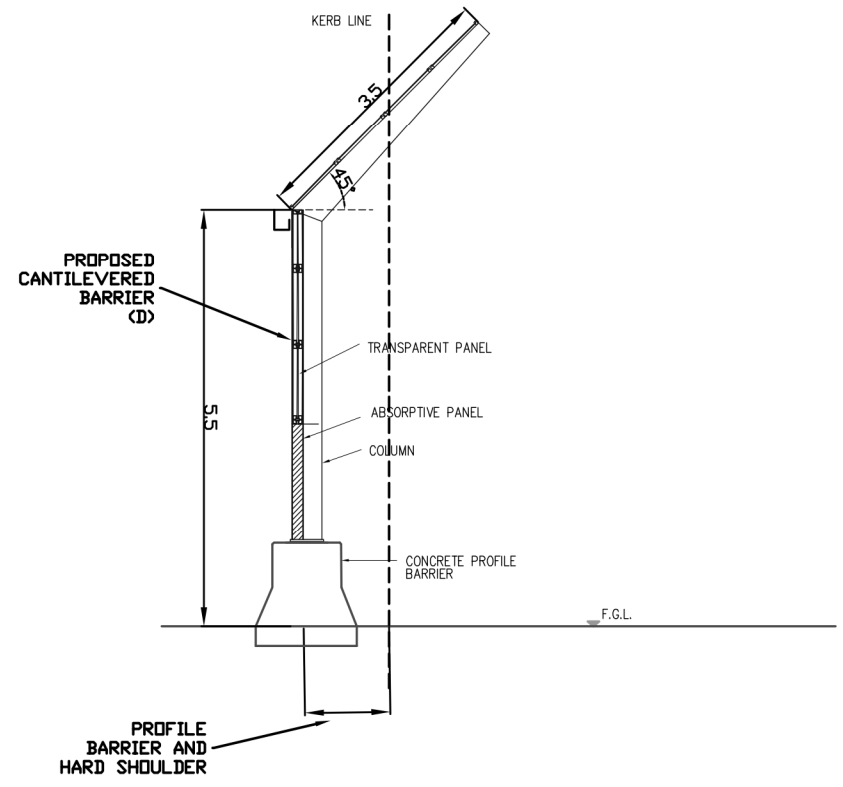
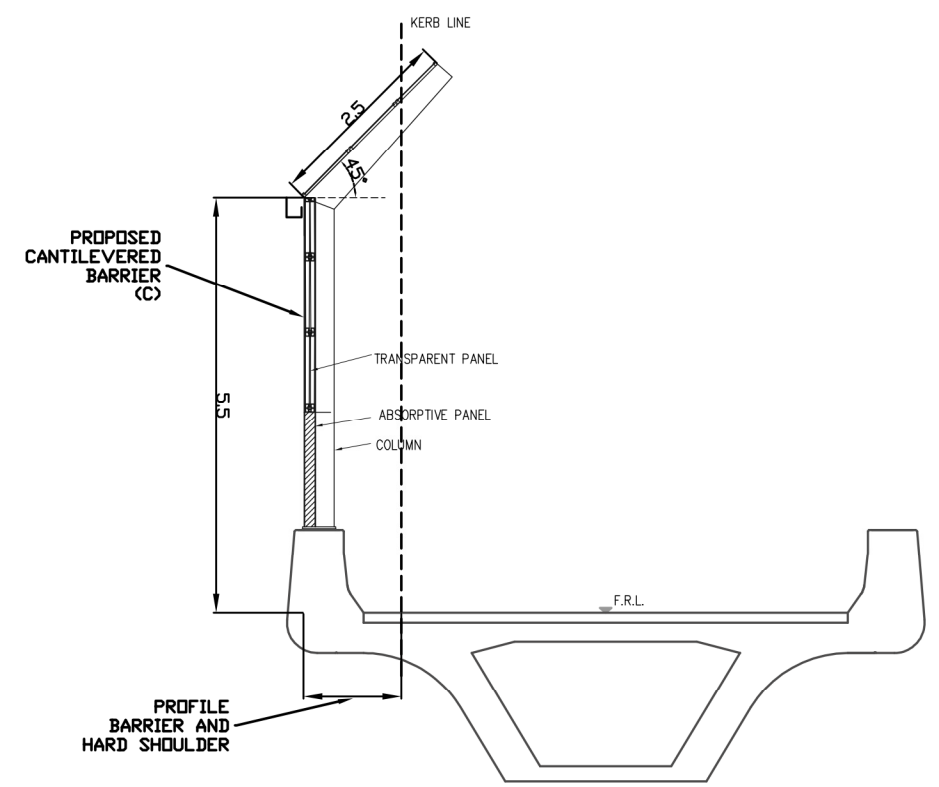


BRIDGE H
SECTION 1 - 1



BRIDGE H (AT GRADE PORTION)
SECTION 3 - 3



BRIDGE H
SECTION 2 - 2

NOTE:
1. UNLESS OTHERWISE SPECIFIED, ALL DIMENSIONS ARE IN METERS
2. SCHEMATIC SECTIONS ARE INDICATIVE ONLY; DETAILS TO BE DETERMINED DURING DETAILED DESIGN STAGE

Rev.	Date	Description	Drawn	Checked

土木工程拓展署
CEDD Civil Engineering and Development Department

OFFICE
NEW TERRITORIES NORTH AND WEST DEVELOPMENT OFFICE

AGREEMENT NO. CE 8/2012 (HY)
FLYOVER FROM KWAI TSING INTERCHANGE UP-RAMP TO KWAI CHUNG ROAD - INVESTIGATION

SECTION VIEWS OF PROPOSED VERTICAL AND CANTILEVERED BARRIERS

Drawing No.		FIGURE 3.3B			
Designed	Drawn	Checked	MSP	Scale	N.T.S.
SL	SL	SL	MSP	1:1	N.T.S.
Approved	Date	Status			
ICWR	11/14	FINAL			

