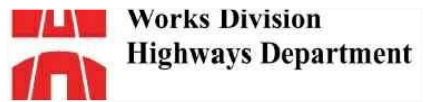


GENERAL NOTES:

1. UNLESS OTHERWISE STATED, ALL DIMENSIONS ARE IN MM AND ALL LEVELS ARE IN mPD.

The joint venture of
Maurice Lee & Associates Ltd. and
Cinotech Consultants Ltd.



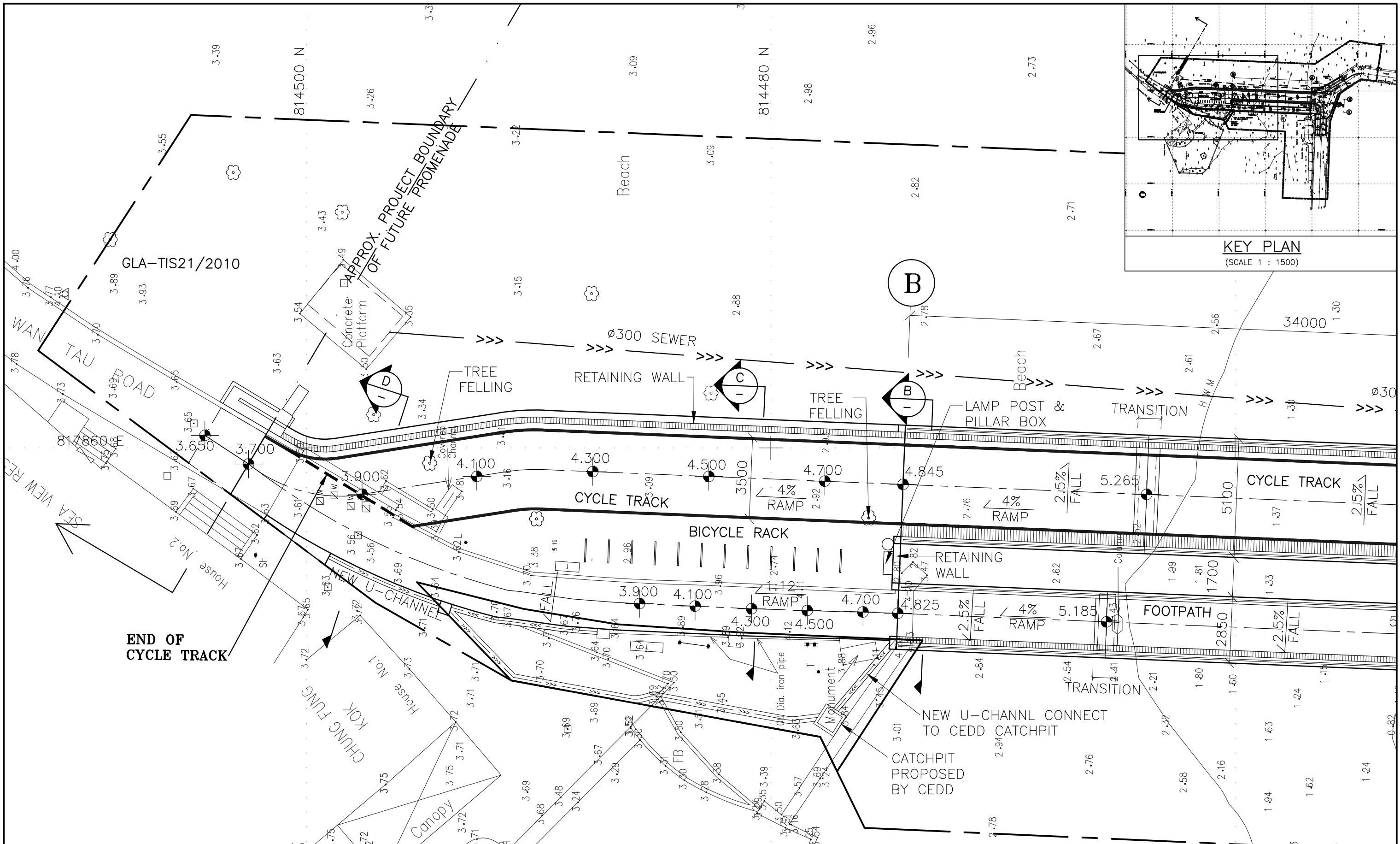
PROJECT:
 AGREEMENT NO. CE 14/2014(HY) NEW WANG TONG RIVER BRIDGE, MUI MO - ENVIRONMENTAL IMPACT ASSESSMENT & DRAINAGE IMPACT ASSESSMENT STUDIES - INVESTIGATION

DRAWING TITLE:
Layout of Proposed New Bridges

Drafting by	YW	09/14
Designed by	ML	09/14
Checked by	ML	09/14
Approved by	ML	09/14

SCALE: 1:300 @ A3 SIZE

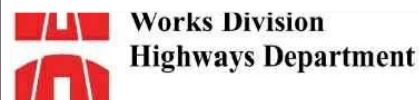
DRAWING NO:
FIG. 1-2



GENERAL NOTES:

1. UNLESS OTHERWISE STATED, ALL DIMENSIONS ARE IN MM AND ALL LEVELS ARE IN mPD.

The joint venture of
Maurice Lee & Associates Ltd. and
Cinotech Consultants Ltd.



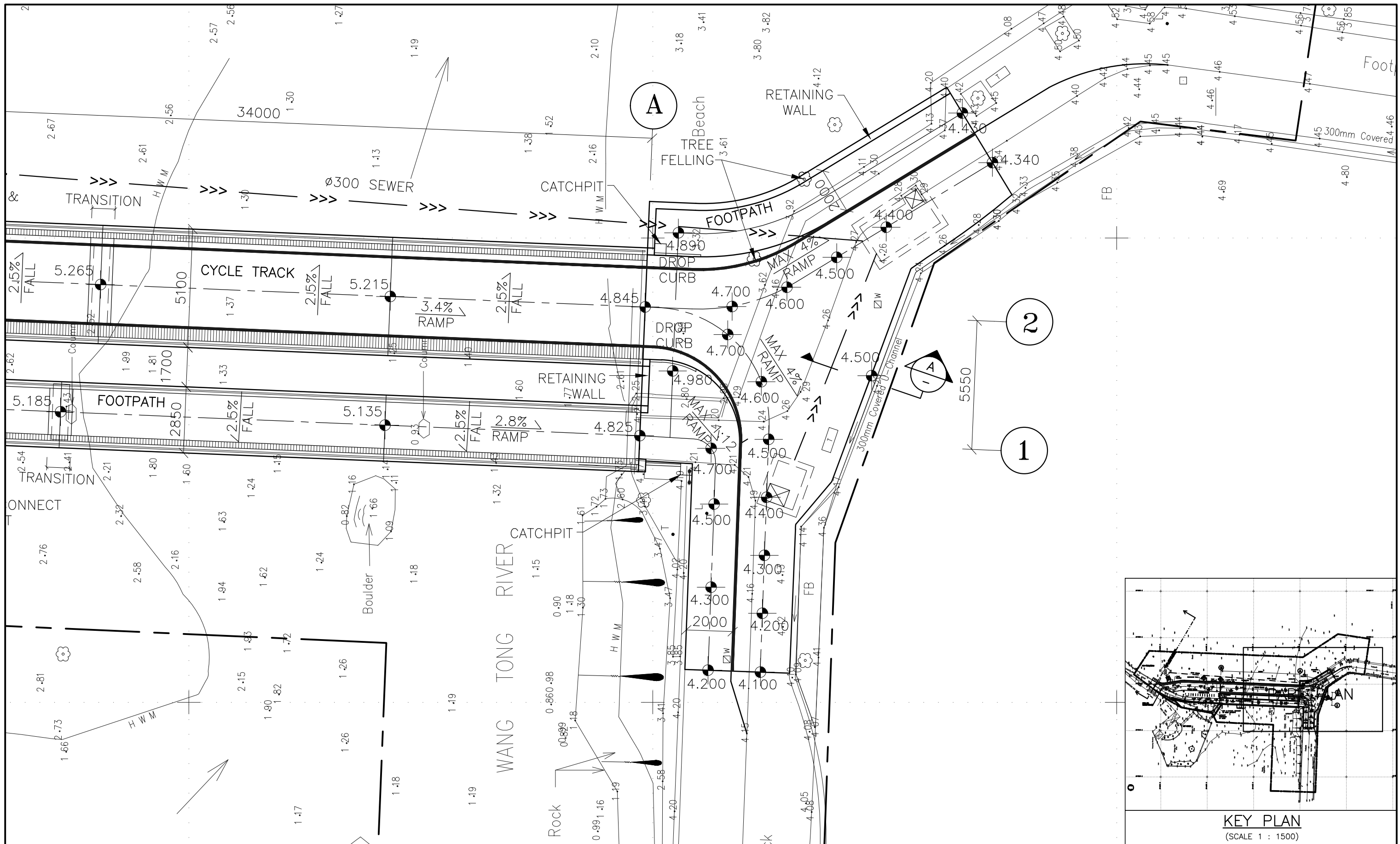
PROJECT:
 AGREEMENT NO. CE 14/2014(HY) NEW WANG TONG RIVER BRIDGE, MUI WO - ENVIRONMENTAL IMPACT ASSESSMENT & DRAINAGE IMPACT ASSESSMENT STUDIES - INVESTIGATION

DRAWING TITLE:
Layout of Proposed New Bridges

Drafting by	YW	09/14
Designed by	ML	09/14
Checked by	ML	09/14
Approved by	ML	09/14

SCALE: 1 : 150 @ A3 SIZE

DRAWING NO: **FIG. 1.2** REV: -

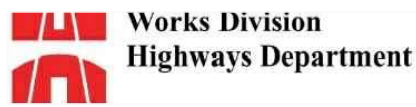


KEY PLAN
(SCALE 1 : 1500)

GENERAL NOTES:

1. UNLESS OTHERWISE STATED, ALL DIMENSIONS ARE IN MM AND ALL LEVELS ARE IN mPD.

The joint venture of
Maurice Lee & Associates Ltd. and
Cinotech Consultants Ltd.



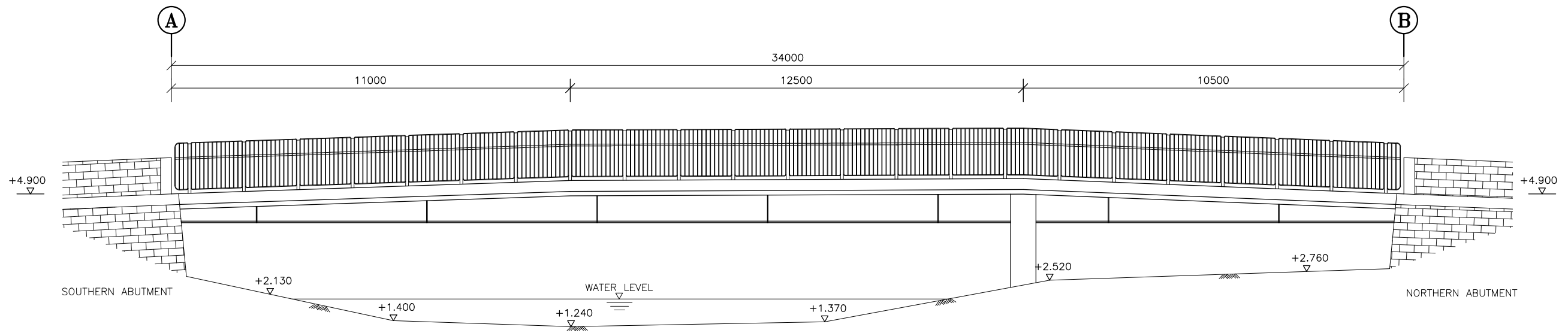
PROJECT:
 AGREEMENT NO. CE 14/2014(HY) NEW WANG TONG RIVER BRIDGE, MUI WO - ENVIRONMENTAL IMPACT ASSESSMENT & DRAINAGE IMPACT ASSESSMENT STUDIES - INVESTIGATION

DRAWING TITLE:
Layout of Proposed New Bridges

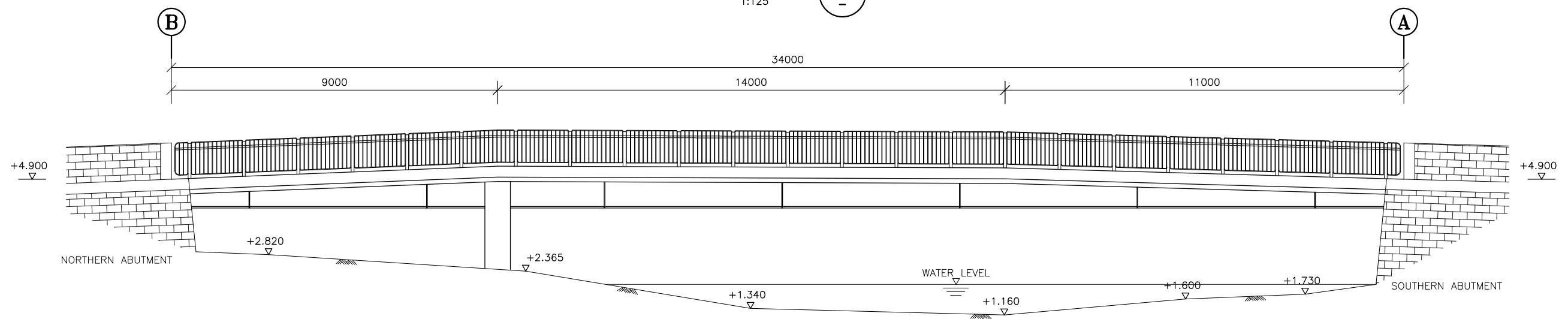
Drafting by	YW	09/14
Designed by	ML	09/14
Checked by	ML	09/14
Approved by	ML	09/14

SCALE: 1 0 1 2 3 4m
 1 : 150 @ A3 SIZE

DRAWING NO:
FIG. 1.2



CYCLE TRACK BRIDGE ELEVATION (A) 1:125



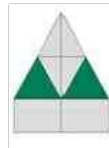
PEDESTRIAN BRIDGE ELEVATION (B) 1:125

LEGEND

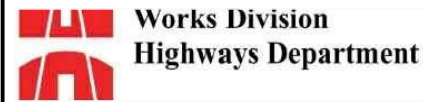
- ◆ FINISHING LEVEL
- ⊕ STRUCTURAL LEVEL

GENERAL NOTES

1. UNLESS OTHERWISE STATED, ALL DIMENSIONS ARE IN mm, ALL LEVELS ARE IN mPD.
2. UNLESS OTHERWISE STATED, ALL LEVELS ARE STRUCTURAL LEVELS.



The joint venture of
Maurice Lee & Associates Ltd. and
Cinotech Consultants Ltd.



PROJECT:
 AGREEMENT NO. CE 14/2014(HY) NEW WANG
 TONG RIVER BRIDGE, MUI WO -
 ENVIRONMENTAL
 IMPACT ASSESSMENT & DRAINAGE IMPACT
 ASSESSMENT STUDIES - INVESTIGATION

DRAWING TITLE:

**Layout of Proposed
 New Bridges**

Drafting by	SING	09/14
Designed by	ML	09/14
Checked by	ML	09/14
Approved by	ML	09/14

SCALE:	1 : 125 @ A3 SIZE
DRAWING NO:	FIG. 1.2
REV:	-