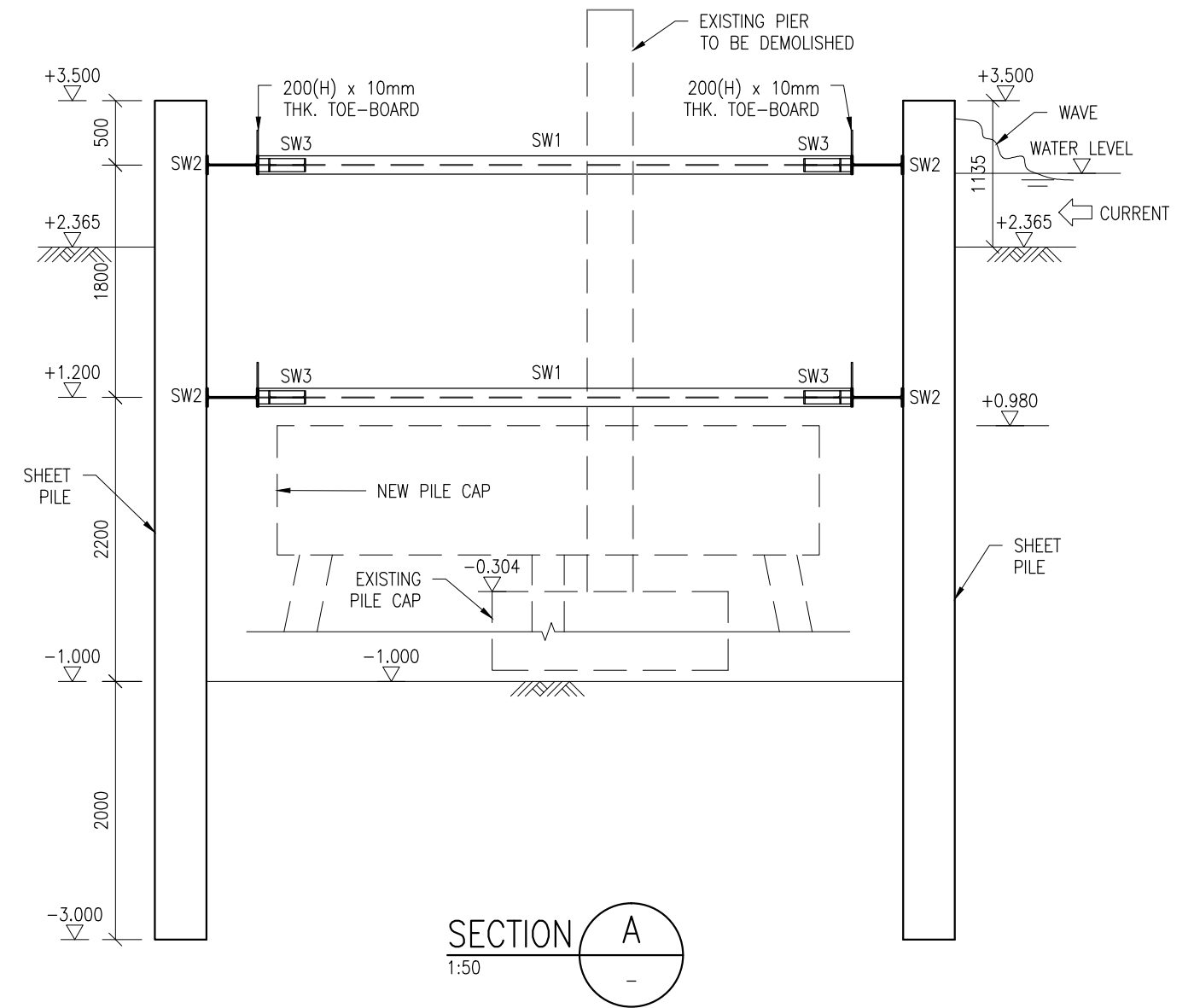


TYPICAL DETAIL FOR COFFERDAM
(1:50)



SECTION A
1:50

LEGEND

- WORKING AREA
- EXISTING PILE
- SHEET PILES

GENERAL NOTES

1. UNLESS OTHERWISE STATED, ALL DIMENSIONS ARE IN mm, ALL LEVELS ARE IN mPD.
2. UNLESS OTHERWISE STATED, ALL LEVELS ARE STRUCTURAL LEVELS.