

816420 N

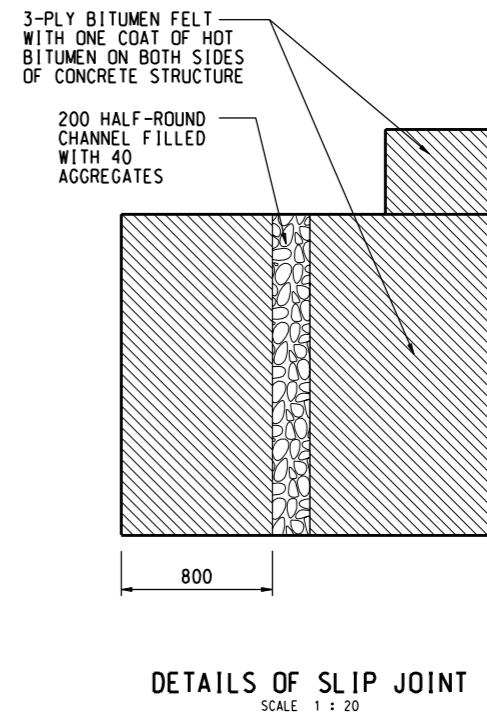
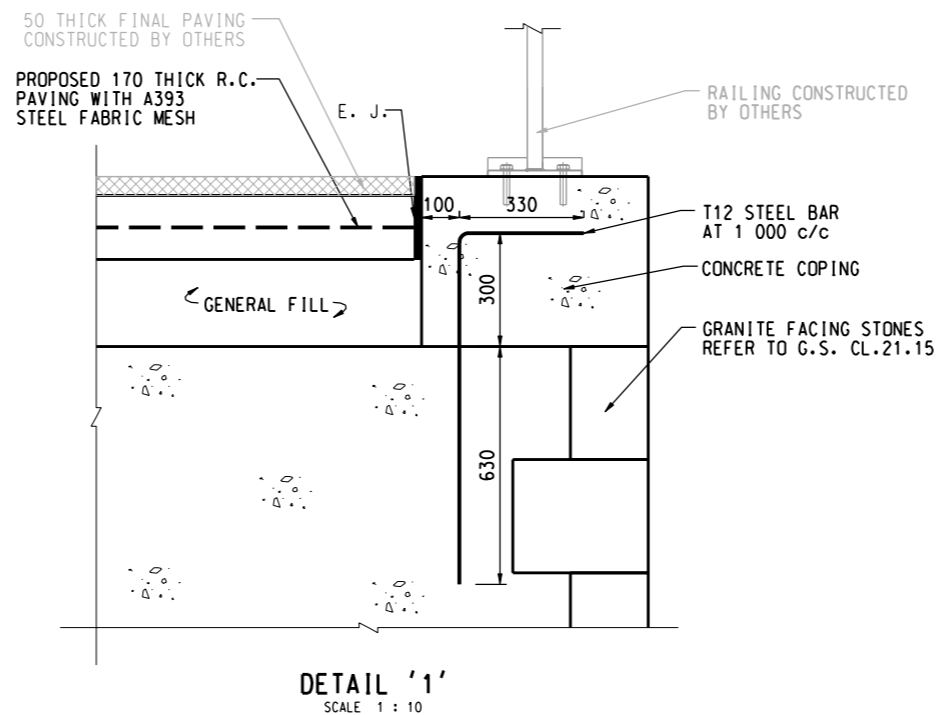
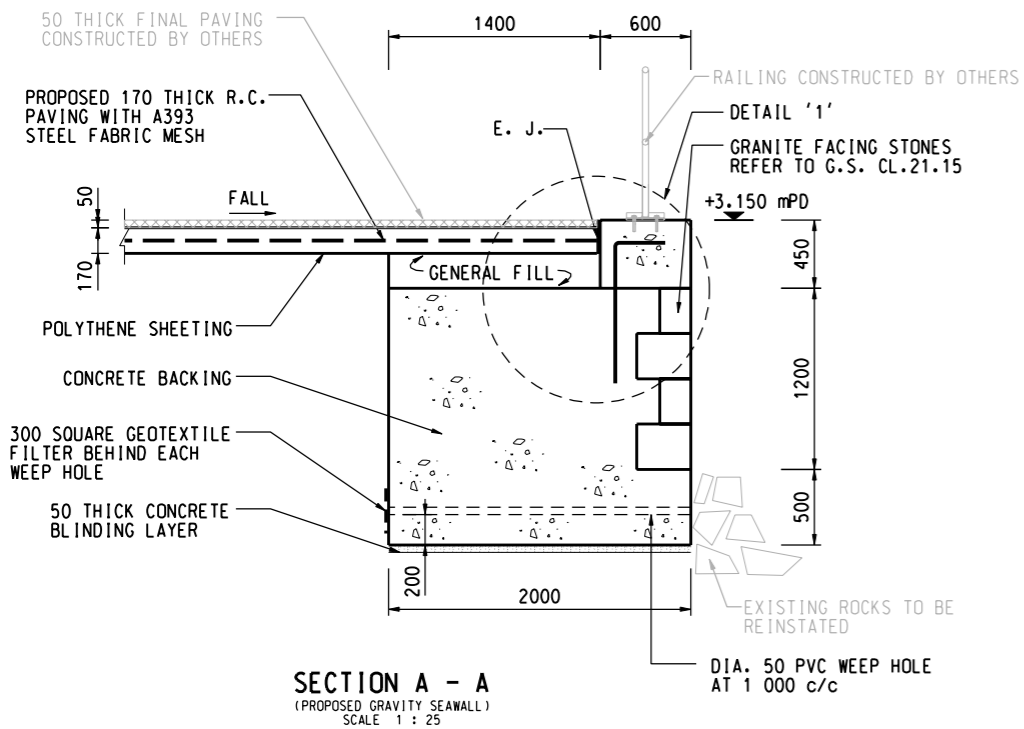
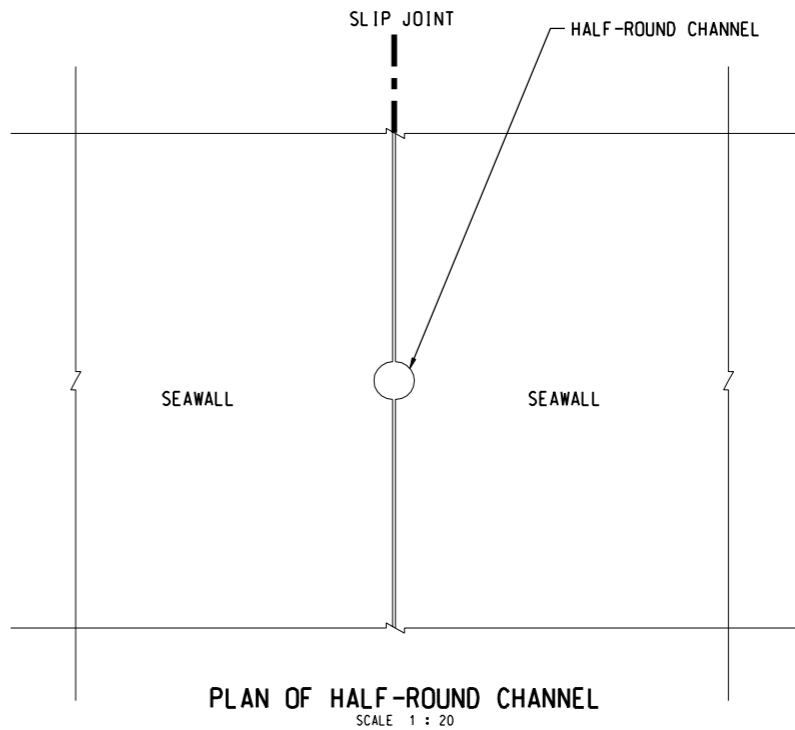
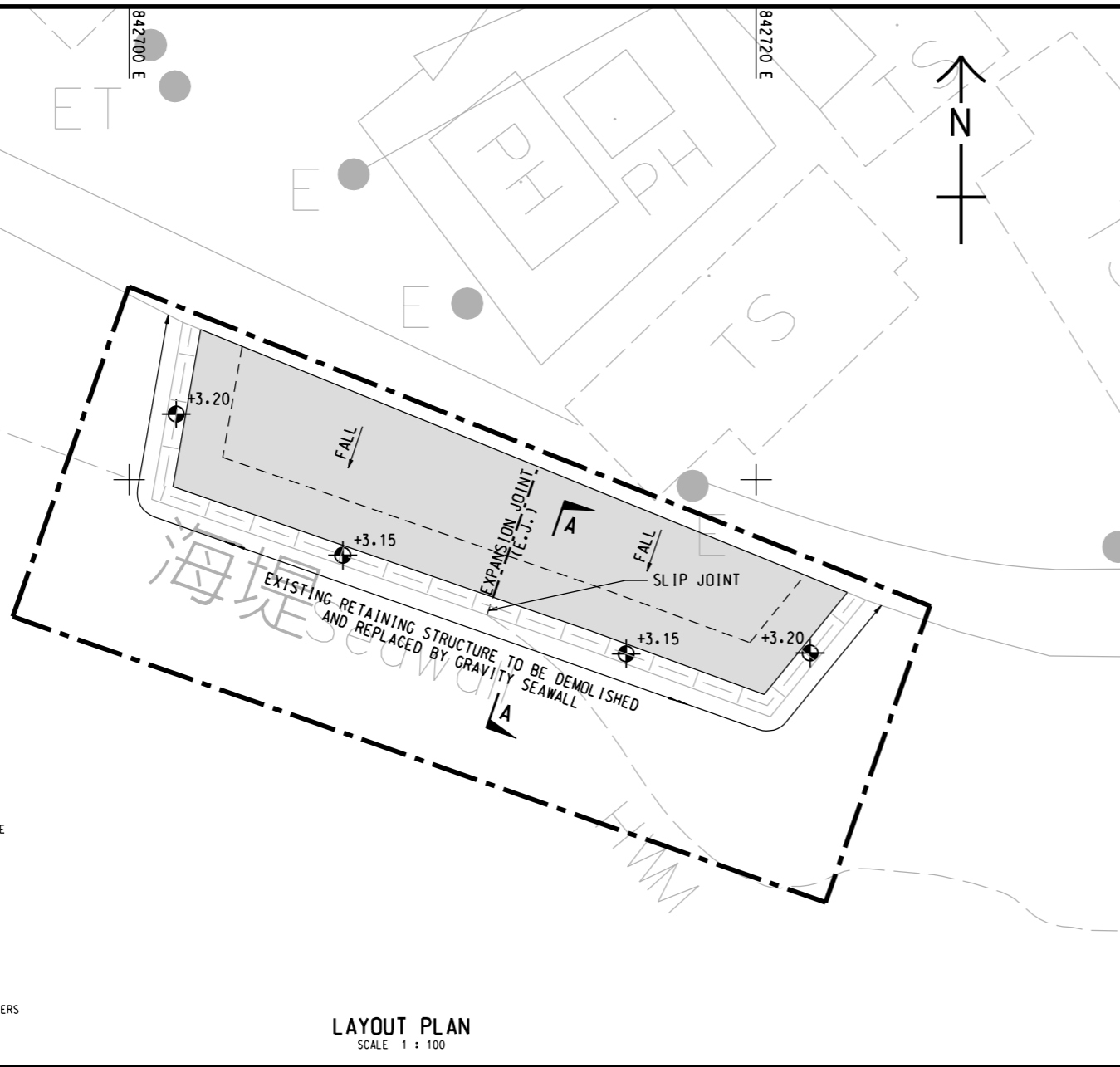
NOTES:

1. ALL DIMENSIONS ARE IN MILLIMETRES UNLESS OTHERWISE SPECIFIED.
2. ALL EXPOSED CONCRETE ARRIS SHALL HAVE 20mm CHAMFER UNLESS OTHERWISE STATED.
3. CONCRETE GRADE:
FOR R. C. PAVING : GRADE 45/20
FOR COPING, BACKING : GRADE 20/20
AND BLINDING LAYER
4. ALL STEEL FABRIC MESH SHALL COMPLY WITH B.S.4483.
5. ALL STEEL REINFORCEMENT USED SHALL COMPLY WITH CS2.
6. GRANITE FACING STONES SHALL BE SET IN 1:3 CEMENT MORTAR AND POINTED WITH 1:2 CEMENT MORTAR.
7. CONCRETE COVER TO REINFORCEMENT SHALL BE 75mm.
8. CONCRETE FINISHES SHALL BE AS FOLLOWS:
EXPOSED : U4 OR F4
BURRIED : U2 OR F2
9. E. J. SHOULD BE PROVIDED AROUND THE PROPOSED R. C. PAVING.
10. SLIP JOINT SHALL BE FORMED THROUGH A COMPLETE VERTICAL PLANE FROM COPE LEVEL DOWN TO THE LEVEL OF SEAWALL.
11. THIS DRAWING SHOWS THE PRELIMINARY DESIGN OF THE PROPOSED WORKS WHICH WILL BE SUBJECT TO REVIEW AND CHANGE AT DETAILED DESIGN STAGE.

LEGEND:

- SITE BOUNDARY
- EXISTING PAVING TO BE RECONSTRUCTED
- RAILING CONSTRUCTED BY OTHERS
- +3.15 PROPOSED LEVEL

LAYOUT PLAN
SCALE 1 : 100



PROJECT

LEI YUE MUN WATERFRONT ENHANCEMENT PROJECT - ENVIRONMENTAL AND TRAFFIC IMPACT ASSESSMENT STUDIES - INVESTIGATION

CLIENT

CEDD 土木工程拓展署
Civil Engineering and Development Department

CONSULTANT

AECOM Asia Company Ltd.
www.aecom.com

SUB-CONSULTANTS

分列工程顧問公司

ISSUE/REVISION

| I/R | DATE | DESCRIPTION | CHK. |
|-----|------|-------------|------|
| | | | |
| | | | |
| | | | |
| | | | |

STATUS

SCALE

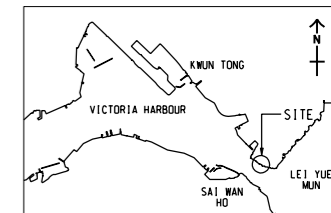
A1 AS SHOWN

DIMENSION UNIT

MILLIMETRES

KEY PLAN

A1 1:10000



PROJECT NO.

60494885

AGREEMENT NO.

SHEET TITLE

IMPROVEMENT WORKS AT LOOKOUT POINT 5

SHEET NUMBER

60494885/EIA/APPENDIX 2.10