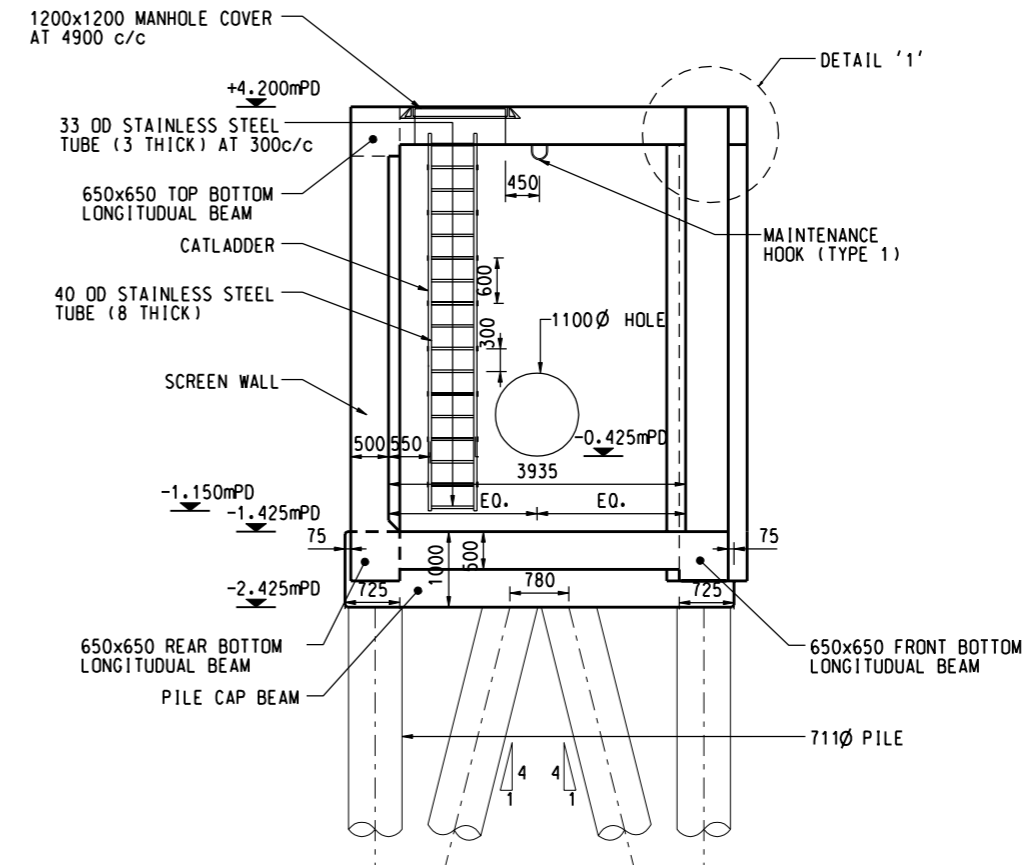


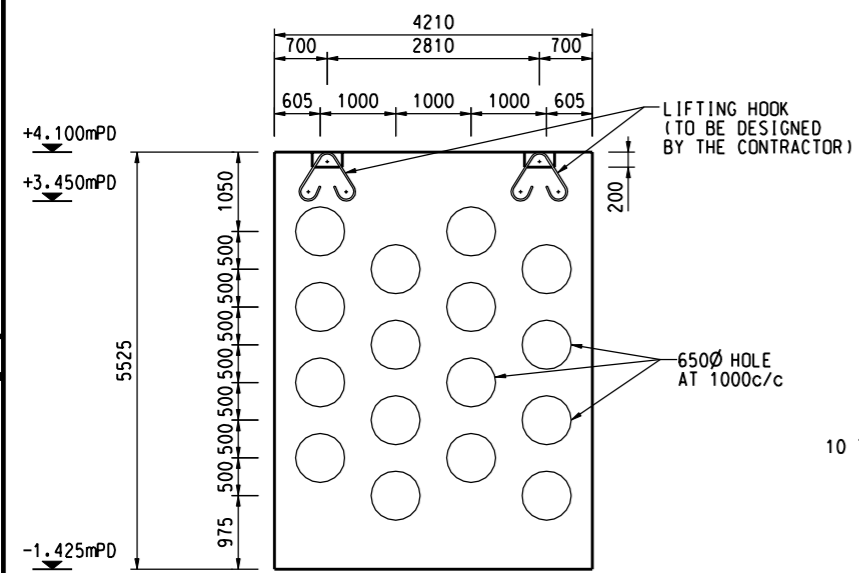
ISOMETRIC VIEW (TYPICAL ARRANGEMENT)
N.T.S.

NOTES:

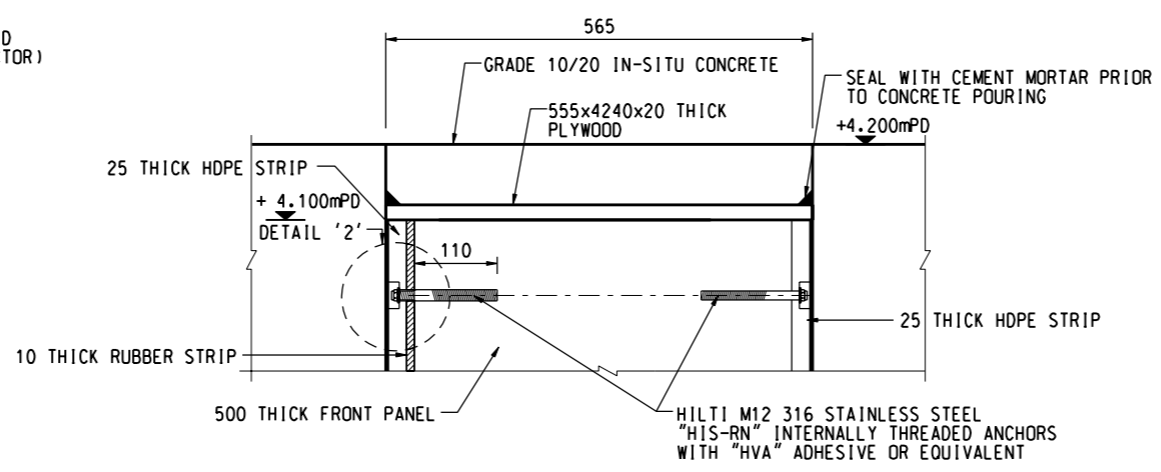
1. ALL DIMENSIONS IN MILLIMETRES.
2. ALL LEVELS REFER TO PRINCIPAL DATUM (P.D.) AND IN METRES.
3. THIS DRAWING SHOWS THE PRELIMINARY DESIGN OF THE PROPOSED WORKS WHICH WILL BE SUBJECT TO REVIEW AND CHANGE AT DETAILED DESIGN STAGE.



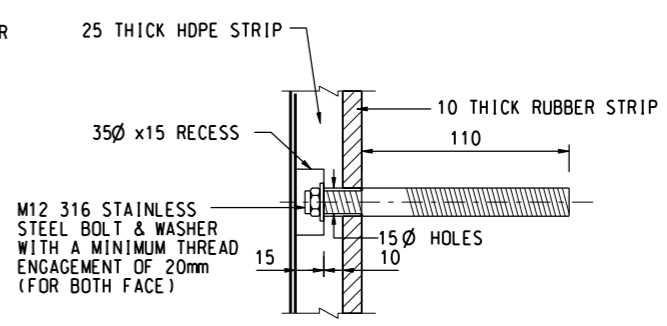
SECTION A - A
SCALE 1 : 50



ELEVATION OF FRONT PANEL (PRECAST UNIT)
SCALE 1 : 50



DETAIL '1'
SCALE 1 : 5



DETAIL '2'
SCALE 1 : 2

ISSUE/REVISION			
NO.	DATE	DESCRIPTION	CHK.

SCALE	DIMENSION UNIT
A1 AS SHOWN	MILLIMETRES

KEY PLAN

PROJECT NO.	AGREEMENT NO.
60494885	

SHEET TITLE
WAVE ABSORBING BREAKWATER
- GENERAL ARRANGEMENT

SHEET NUMBER
60494885/EIA/APPENDIX 2.5

This drawing has been prepared for the use of AECOM's client. It may not be used, modified, reproduced or relied upon by third parties, except as agreed by AECOM or as required by law. AECOM accepts no responsibility, and denies any liability whatsoever, for any party that uses or relies on this drawing without AECOM's express written consent. Do not scale this document. All measurements must be obtained from the stated dimensions.