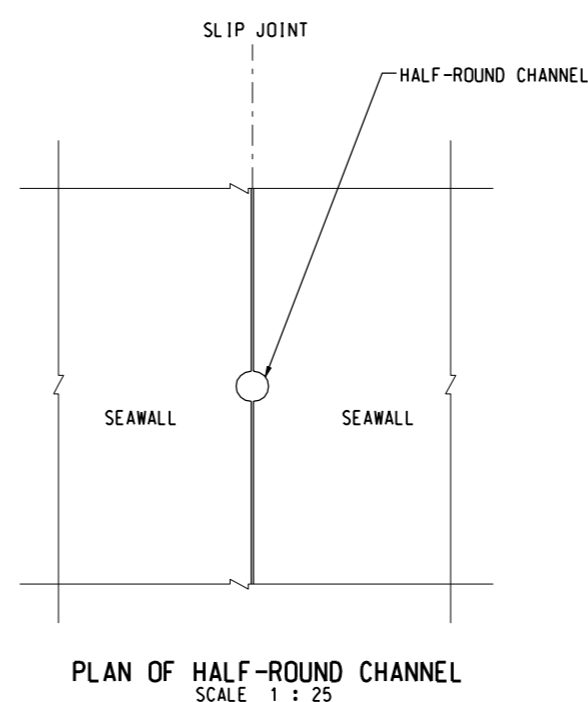
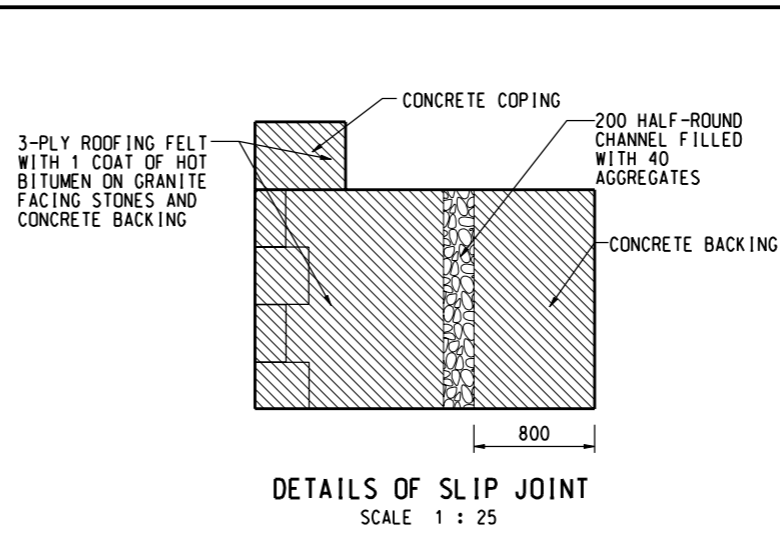
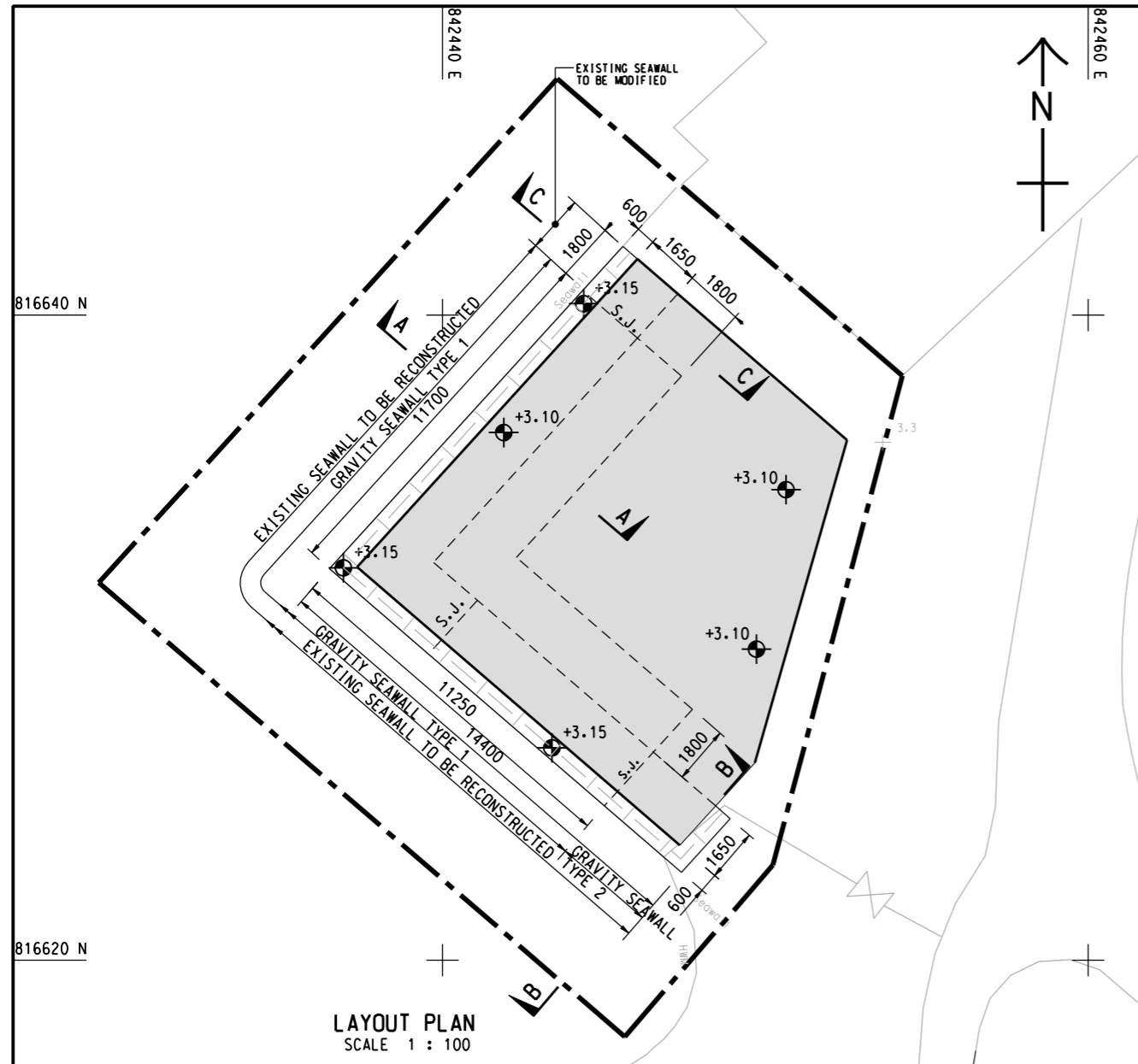
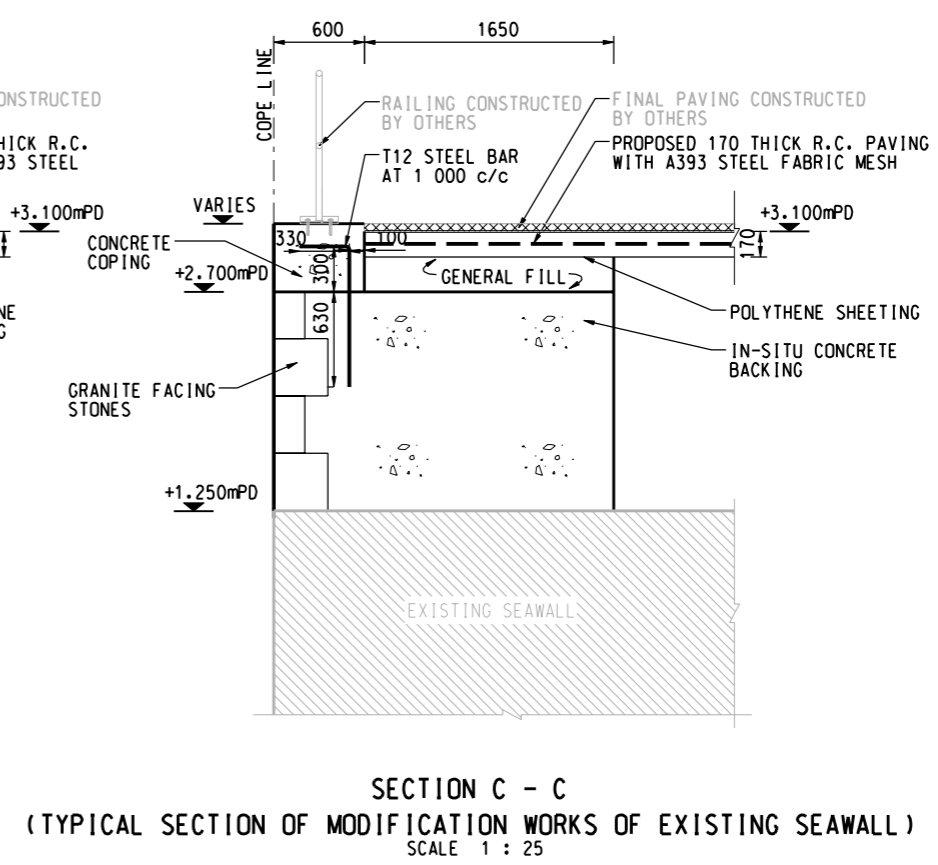
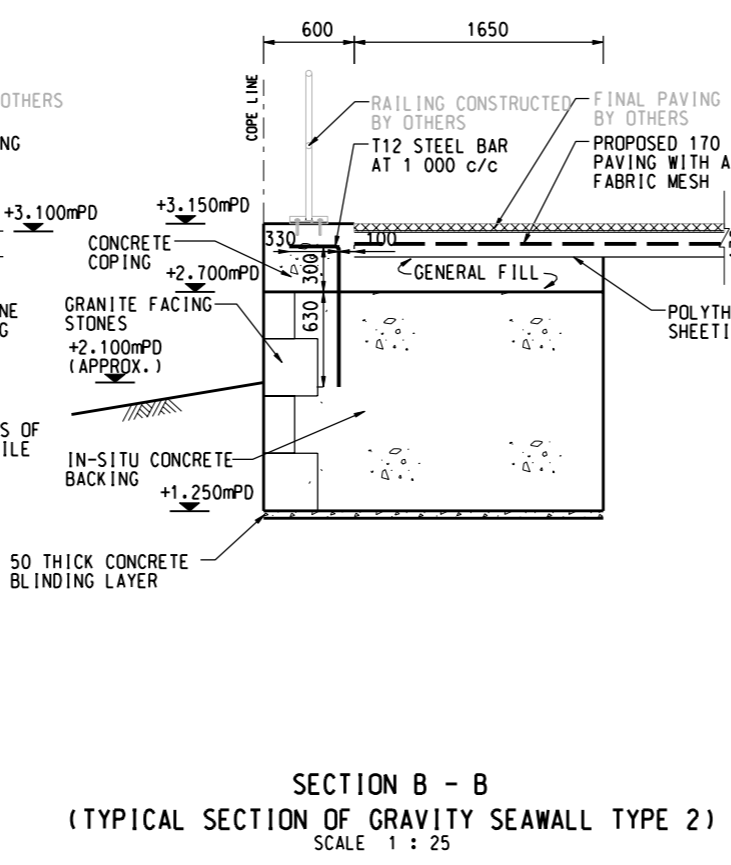
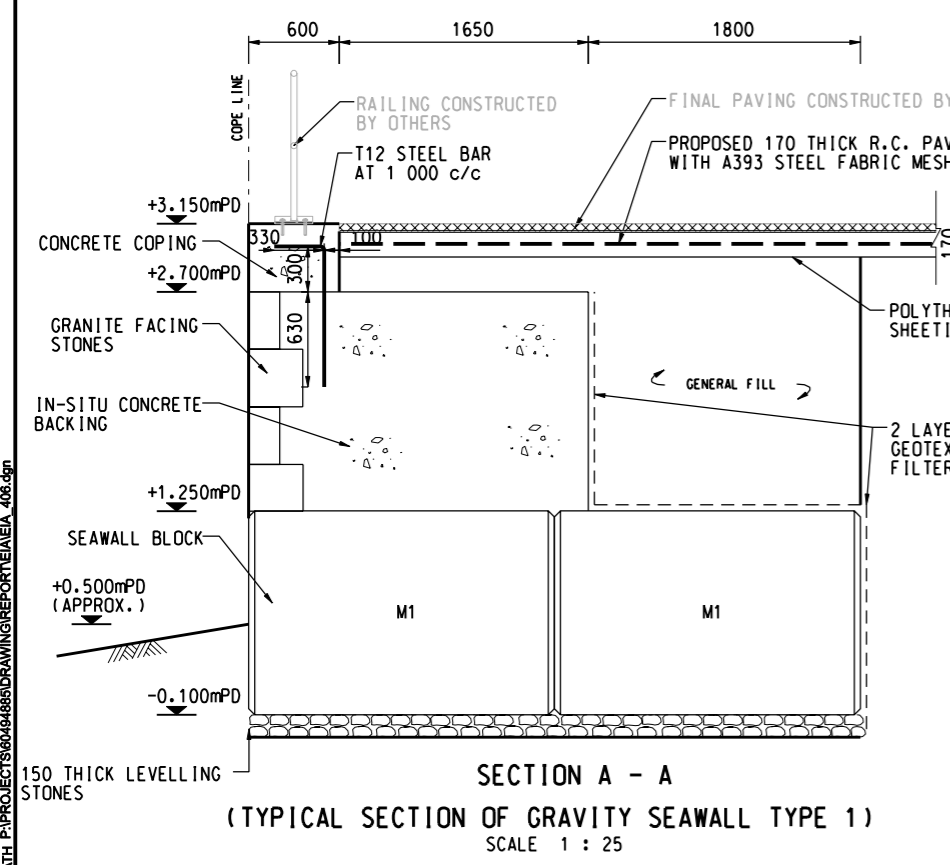


ISO A1 594mm x 841mm
 Approved:
 Checked: 816640 N
 Designer:
 Project Management Initials:
 2018/01/15
 P:\PROJECTS\2018\20180115\DRAWING\REPORT\EA\EA_408.dgn



- NOTES:**
1. ALL DIMENSIONS ARE IN MILLIMETRES UNLESS OTHERWISE SPECIFIED.
 2. ALL LEVELS REFER TO PRINCIPLE DATUM (P.D.) AND ARE IN METRES.
 3. ALL EXPOSED CONCRETE ARRIS SHALL HAVE 20mm CHAMFER UNLESS OTHERWISE STATED.
 4. CONCRETE GRADE:
FOR R. C. PAVING : GRADE 45/20
FOR COPING, BACKING : GRADE 20/20
AND BLINDING LAYER
 5. ALL STEEL FABRIC MESH SHALL COMPLY WITH B.S. 4483.
 6. ALL STEEL REINFORCEMENT USED SHALL COMPLY WITH CS2.
 7. CONCRETE COVER TO REINFORCEMENT SHALL BE 75mm.
 8. E. J. SHOULD BE PROVIDED AROUND THE PROPOSED R. C. PAVING.
 9. EXISTING GROUND PROFILE TO BE REINSTATED AFTER THE WORKS.
 10. FOR SEAWALL BLOCK DETAILS, REFER TO DRAWING NO. PW-1006-302.
 11. THIS DRAWING SHOWS THE PRELIMINARY DESIGN OF THE PROPOSED WORKS WHICH WILL BE SUBJECT TO REVIEW AND CHANGE AT DETAILED DESIGN STAGE.

- LEGEND:**
- SITE BOUNDARY
 - ▭ EXISTING PAVING TO BE RECONSTRUCTED
 - RAILING CONSTRUCTED BY OTHERS
 - ⊕ +3.15 PROPOSED LEVEL
 - S.J. SLIP JOINT



AECOM

PROJECT
LEI YUE MUN WATERFRONT ENHANCEMENT PROJECT - ENVIRONMENTAL AND TRAFFIC IMPACT ASSESSMENT STUDIES - INVESTIGATION

CLIENT
CEDD 土木工程拓展署
Civil Engineering and Development Department

CONSULTANT
AECOM Asia Company Ltd.
www.aecom.com

SUB-CONSULTANTS
分判工程顧問公司

ISSUE/REVISION

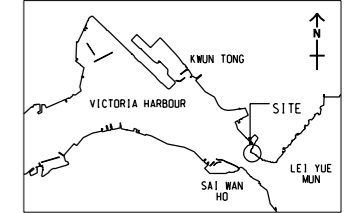
NO.	DATE	DESCRIPTION	CHK.

STATUS
初稿

SCALE
A1 AS SHOWN

DIMENSION UNIT
MILLIMETRES

KEY PLAN A1 1:10000



PROJECT NO.
60494885

AGREEMENT NO.

SHEET TITLE
RECONSTRUCTION OF VIEWING PLATFORM

SHEET NUMBER
60494885/EIA/APPENDIX 2.6

This drawing has been prepared for the use of AECOM's client. It may not be used, modified, reproduced or relied upon by third parties, except as agreed by AECOM or as required by law. AECOM accepts no responsibility, and denies any liability whatsoever, to any party that uses or relies on this drawing without AECOM's express written consent. Do not scale this document. All measurements must be obtained from the stated dimensions.