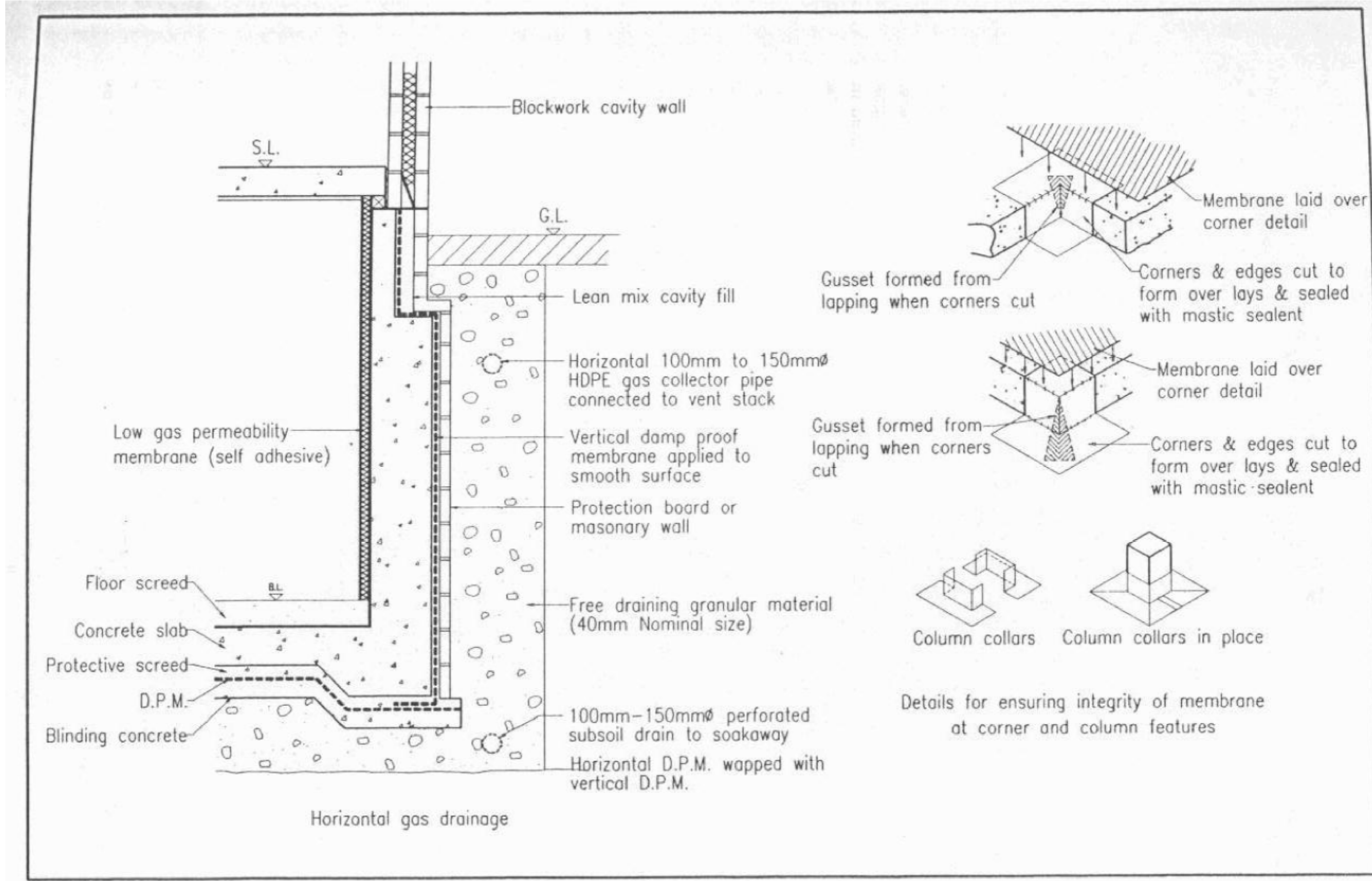
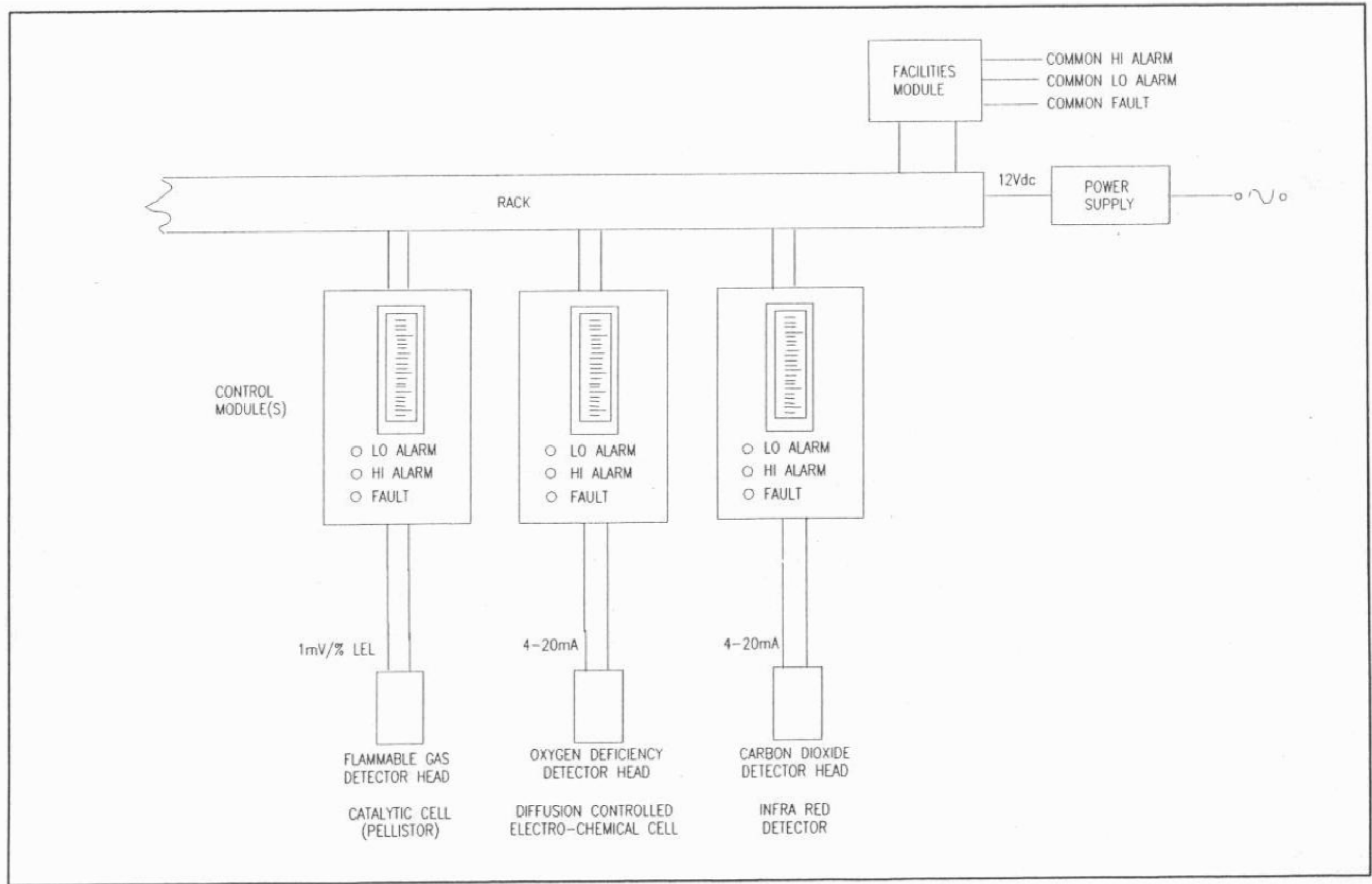


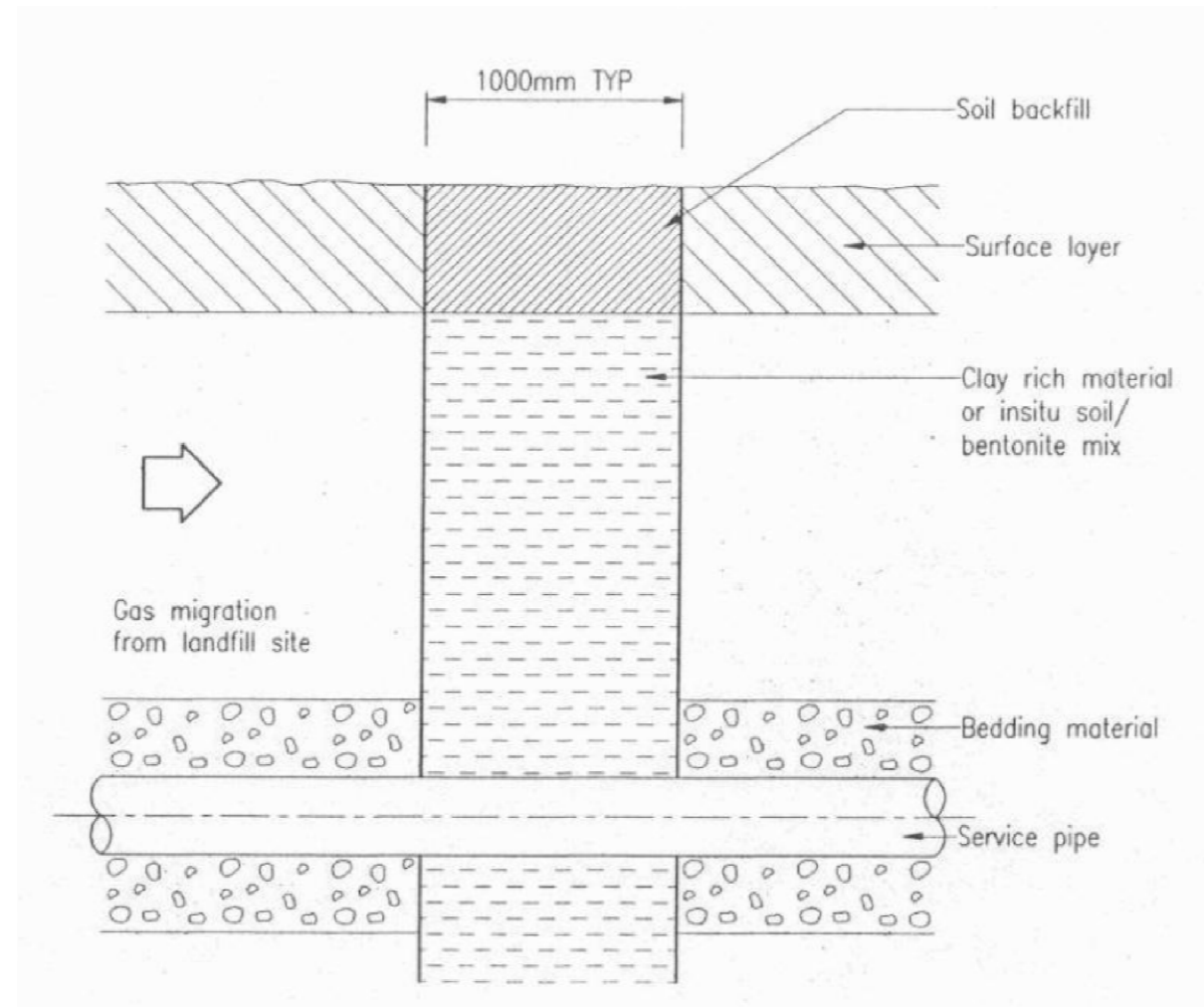
APPENDIX 9.6a
 TYPICAL DETAILS OF FLEXIBLE
 MEMBRANE PROTECTION FOR BUILDINGS



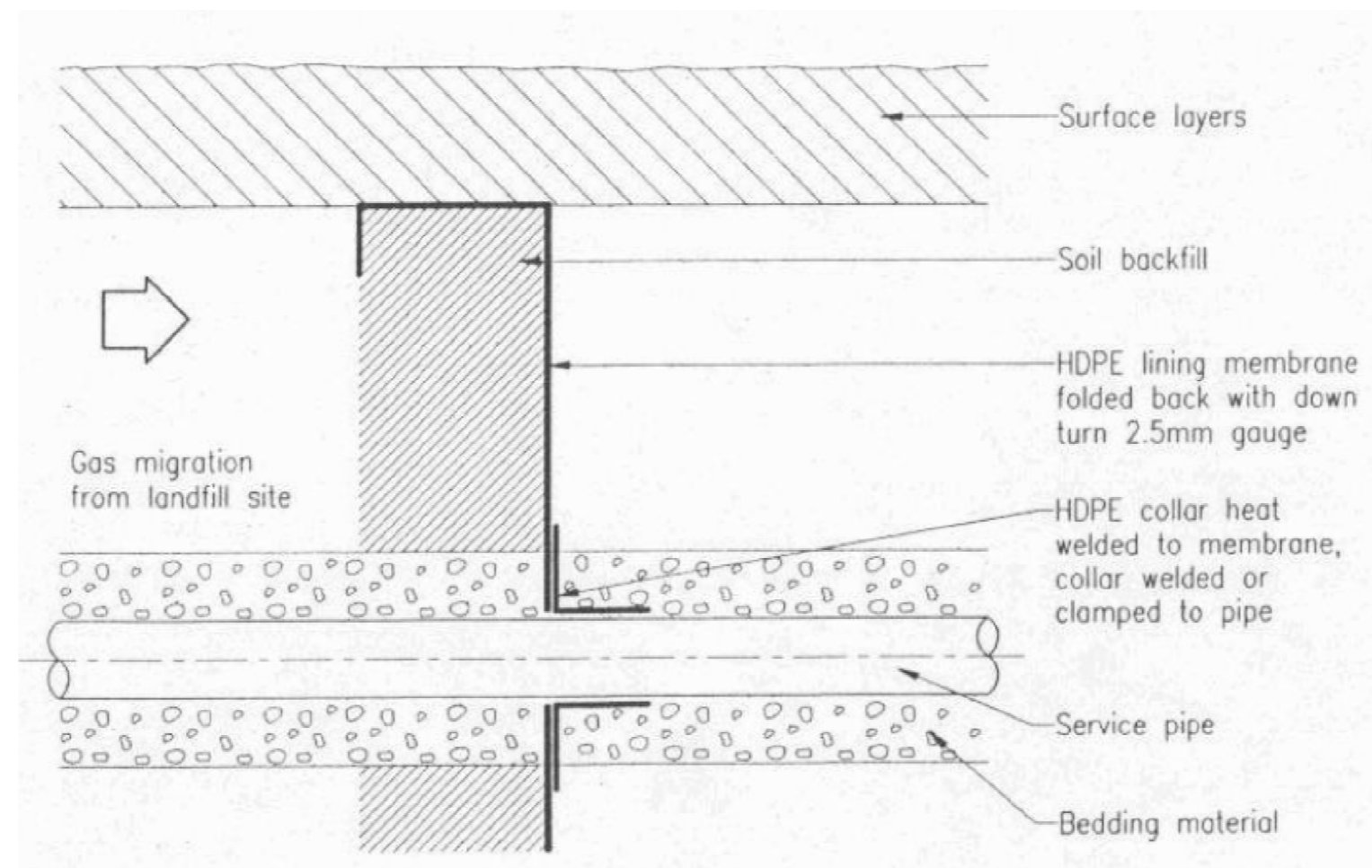
APPENDIX 9.6b
 SCHEMATIC OF AUTOMATIC GAS DETECTION SYSTEM



APPENDIX 9.6c
 NATURAL MATERIAL AND FLEXIBLE
 MEMBRANE CUT-OFF BARRIER

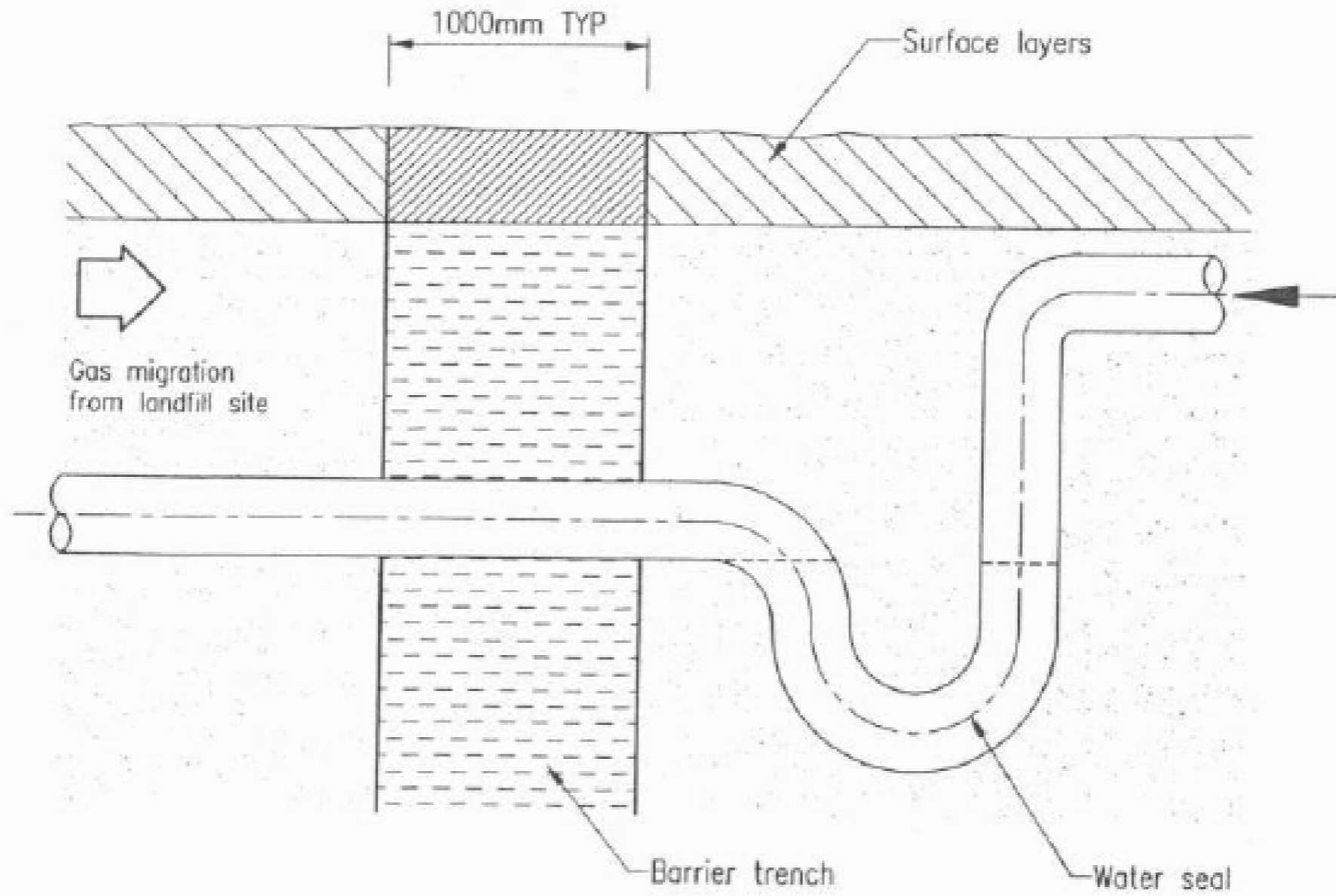


NATURAL MATERIAL CUT-OFF BARRIER

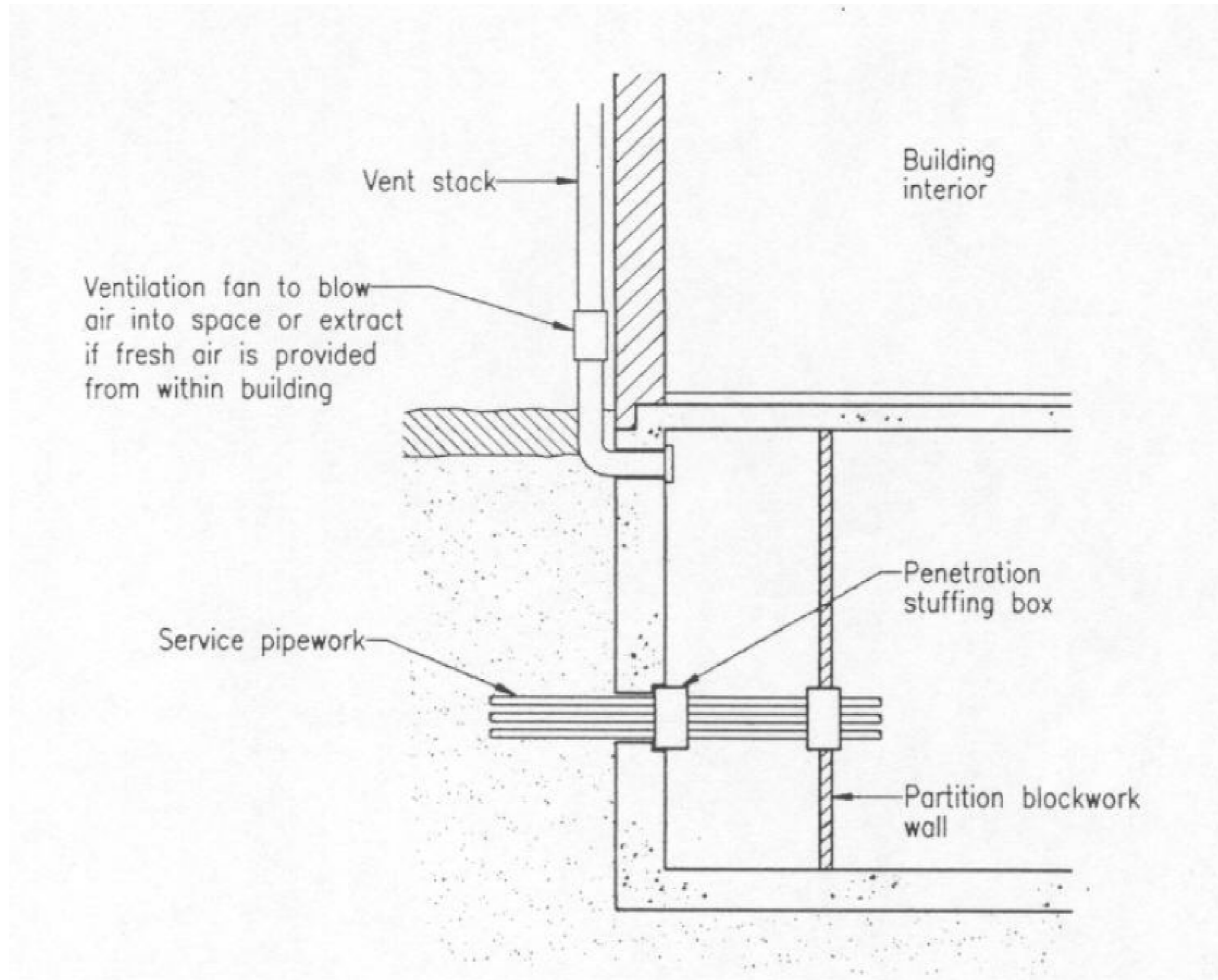


FLEXIBLE MEMBRANE CUT-OFF

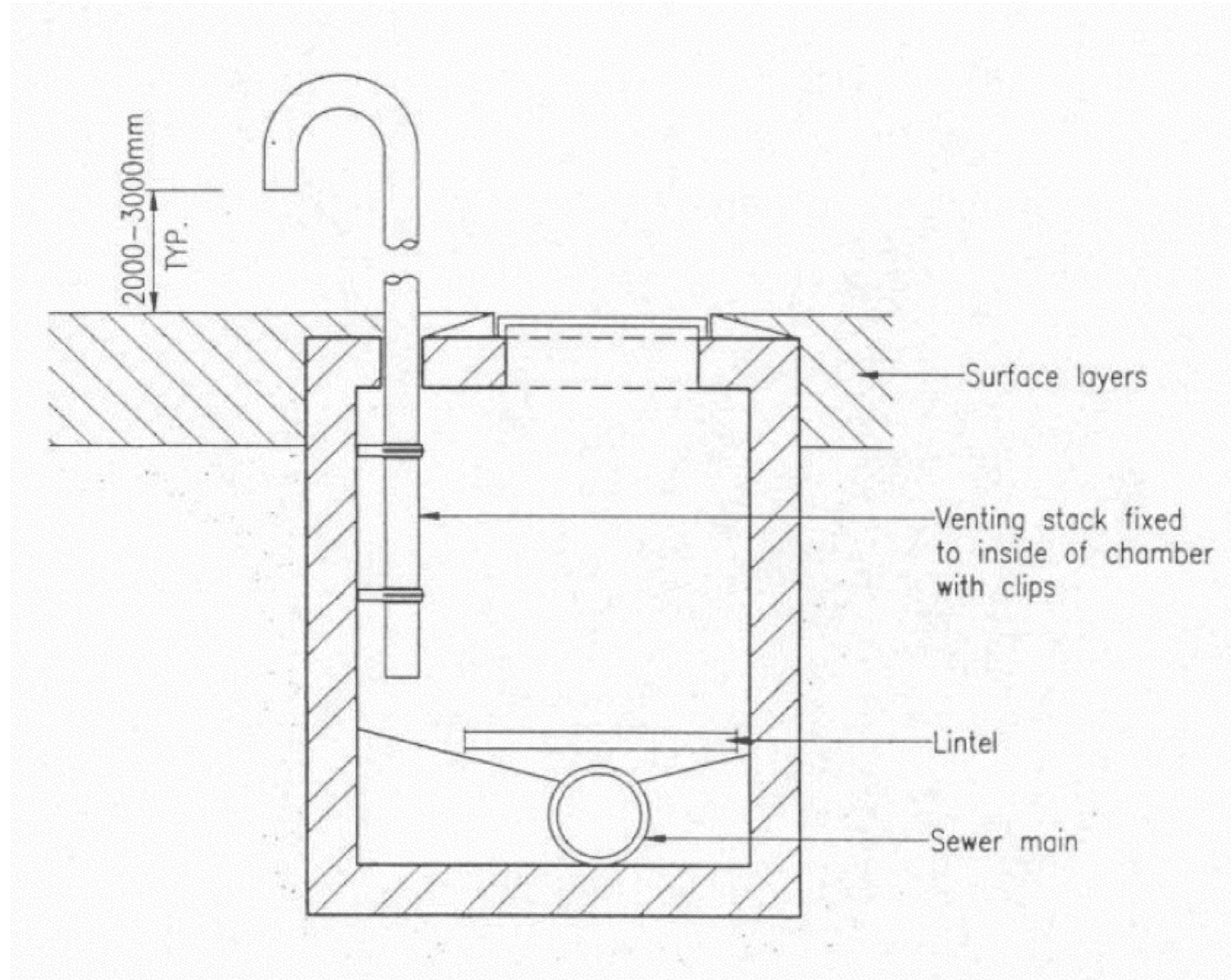
APPENDIX 9.6d
OPEN CONDUIT PROTECTION BY WATER SEAL
(LONGITUDINAL SECTION)



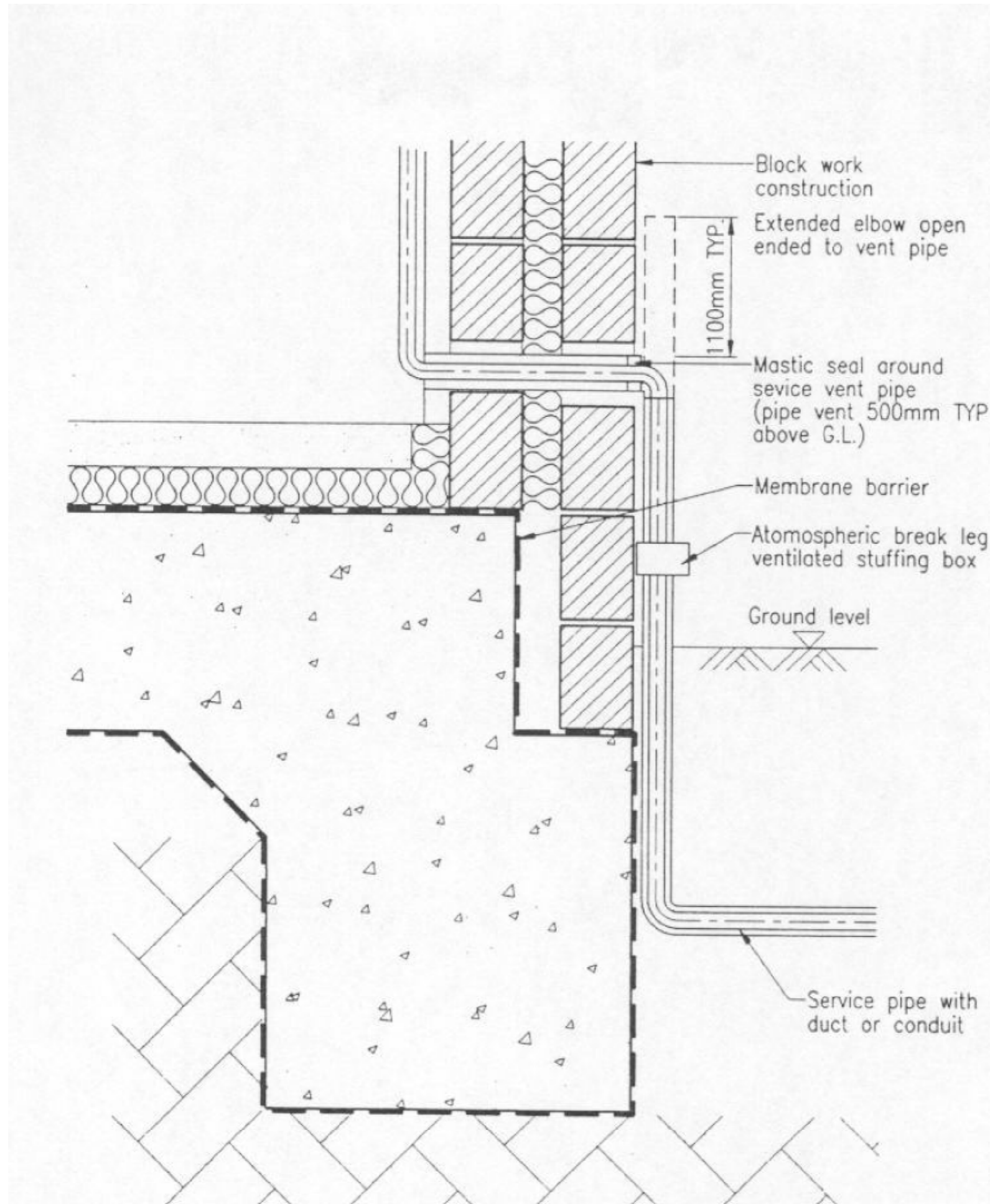
APPENDIX 9.6e
VENTED GAS INTERCEPTOR CAVITY
(CROSS-SECTION)



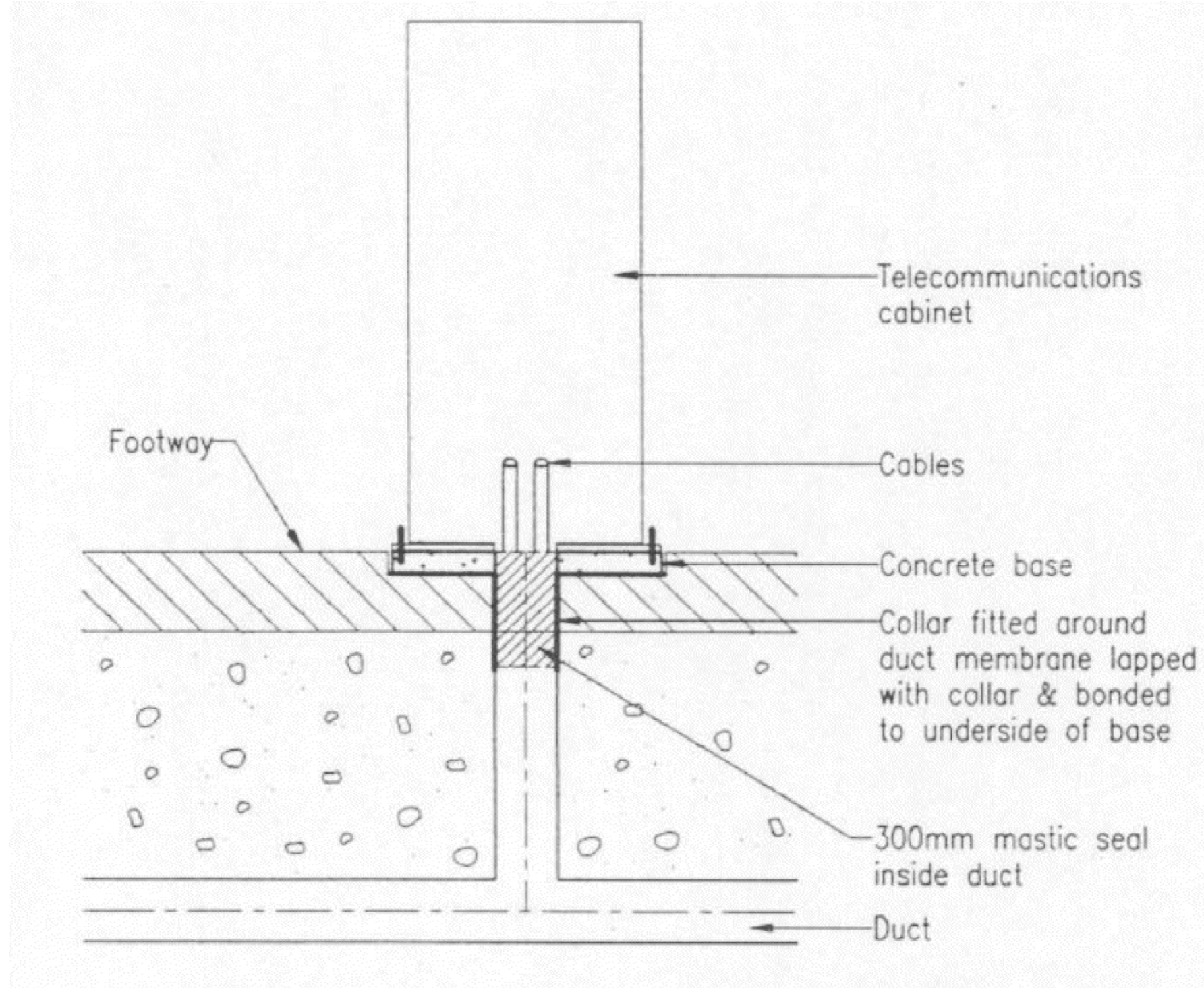
APPENDIX 9.6f
VENTED MANHOLE (CROSS-SECTION)



APPENDIX 9.6g
ABOVE GROUND SERVICE ENTRY



APPENDIX 9.6h
ABOVE GROUND TERMINATION OF
SERVICES WITHIN CONSULTATION ZONE



APPENDIX 9.6i
COLLAR SEAL

