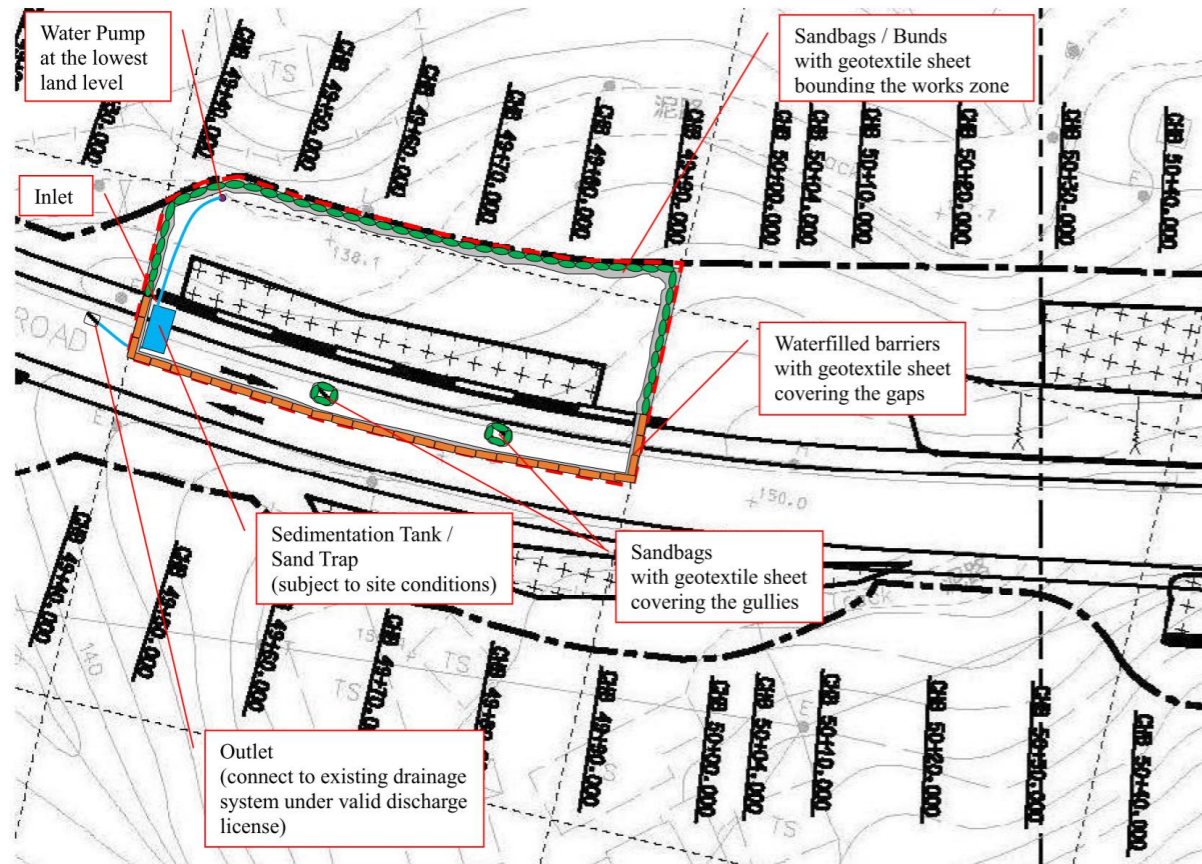
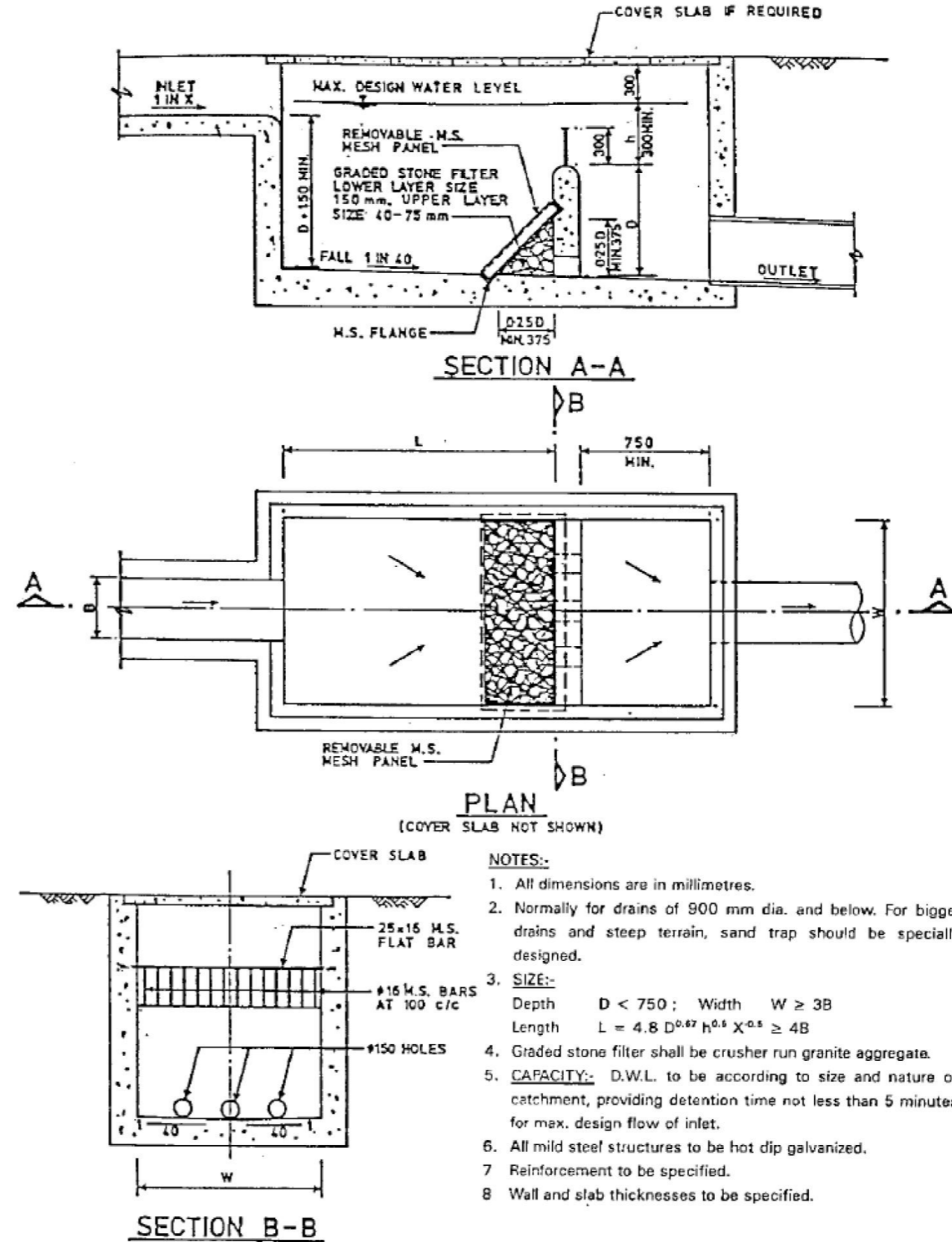


- Typical Size and Design of Sand Trap at Outfall as recommended in ProPECC PN1/94 (Indicative only and subject to discharge license application under WPCO)
- Alternative options such as package plant could be proposed by the Contractor.
- The Contractor should update stormwater pollution control plan.



Remarks: Indicative design and subject to on-site conditions and site practices of future contractors and operators.



Rev.	Description of Revision	Date	Ckd.
Client			
The Engineer			
Project			
AGREEMENT NO. CE 76/2017 (HY) UPGRADING OF REMAINING SECTIONS OF KAM TIN ROAD AND LAM KAM ROAD			
Title			
Schematic Design of General Drainage and Typical Design of Silt/Sand Trap			
Scale 1 in A1 AS SHOWN			
Drawing No.		Stage	Rev.
Figure 4.1			