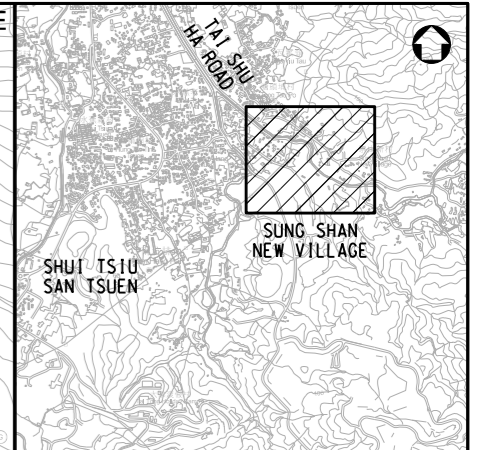


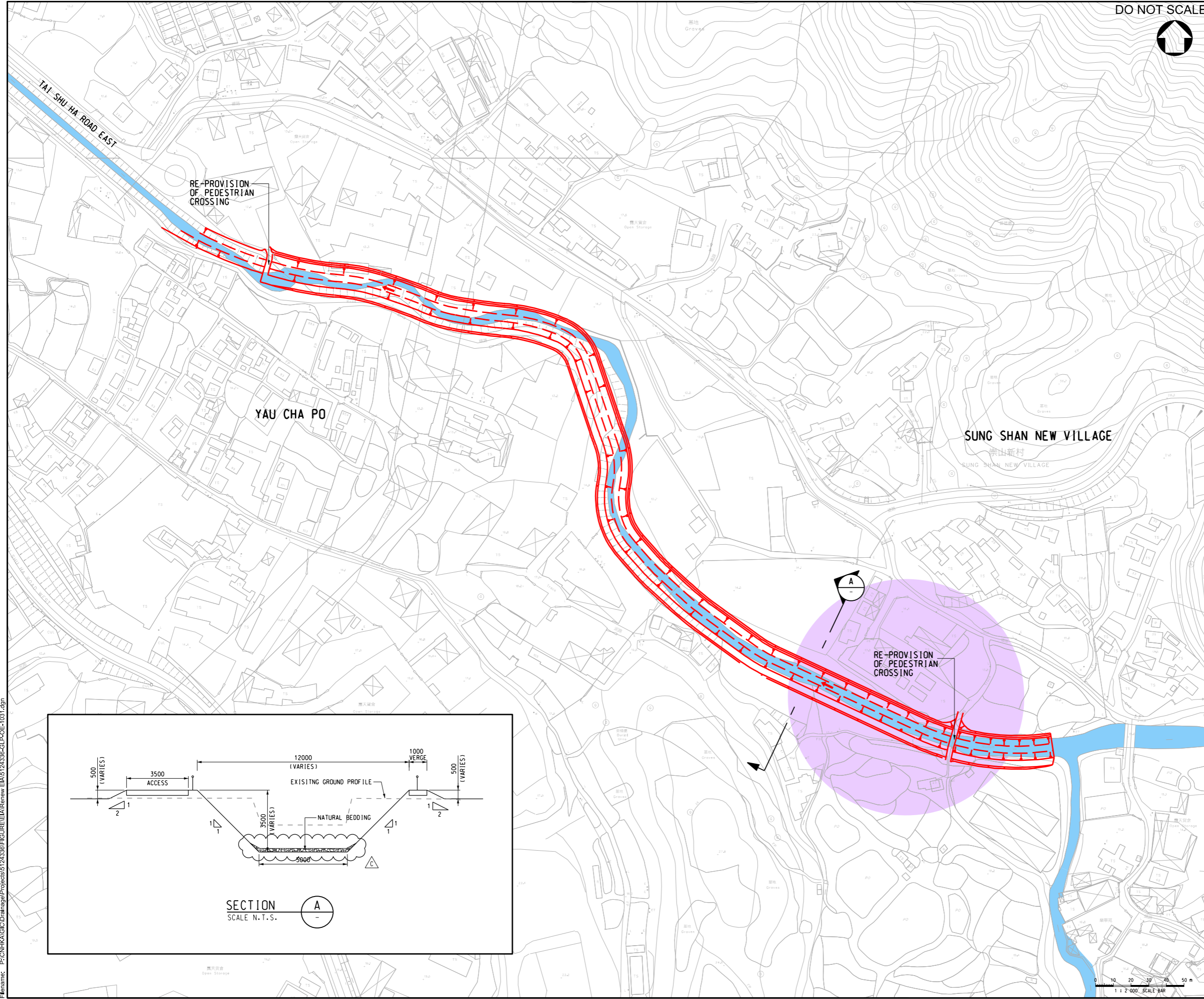
DO NOT SCALE



KEY PLAN
N.T.S.

NOTES:

- 1. FOR GENERAL NOTES AND LEGEND REFER TO DRAWING 5124336-GLP-OE-0002.



Rev.	Date	Description	By	Chkd	App'd
C	MAY 20	THIRD ISSUE	WSL	WCTT	WKML
B	NOV 14	SECOND ISSUE	MW	TT	JC
A	MAR 14	FIRST ISSUE	WW	TT	JC

Drawing Status: **DETAILED DESIGN**

ATKINS

渠務署
Drainage Services Department

工程管理部
Project Management Division

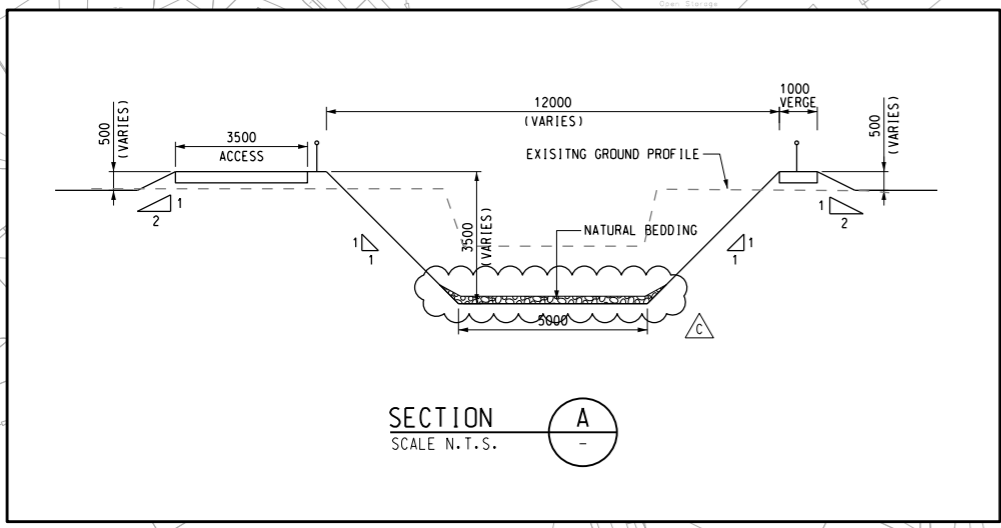
DRAINAGE IMPROVEMENT WORKS
IN YUEN LONG STAGE 1 - INVESTIGATION,
DESIGN AND CONSTRUCTION
CE 22/2013 (DS)

PROPOSED DRAINAGE WORKS
AT SUNG SHAN NEW VILLAGE - OPTION 1

Scale	Designed	Drawn	Checked	Authorised
1 : 2000	KC	WW	TT	JC

Drawing Number: 5124336-GLP-OE-1031

C



User name: CHEU8306 Date: 12/27/2020 Time: 1:55:40 PM
Filename: P:\CNHKA\CD\Drainage\Projects\5124336\FIGURE\EA\Renew EIA\5124336-GLP-OE-1031.dgn