

**KEY PLAN**  
N.T.S.

**NOTES:**  
1. FOR GENERAL NOTES AND LEGEND REFER TO DRAWING 5124336-GLP-OE-0002.

Rev.	Date	Description	By	Chkd	App'd	
E	DEC 20	FIFTH ISSUE		WSL	WCTT	WKML
C	NOV 14	FOURTH ISSUE		MW	TT	JC
C	SEP 14	THIRD ISSUE		WW	TT	JC
B	MAY 14	SECOND ISSUE		WW	TT	JC
A	MAR 14	FIRST ISSUE		WW	TT	JC

Drawing Status: **DETAILED DESIGN**



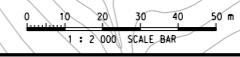
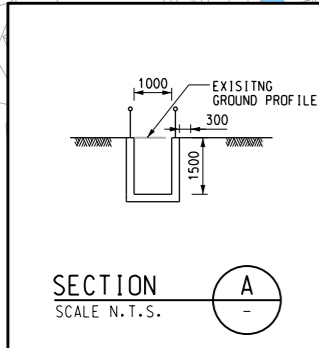
渠務署  
Drainage Services Department  
工程管理部  
Project Management Division

Project Title:  
**DRAINAGE IMPROVEMENT WORKS  
IN YUEN LONG STAGE 1 - INVESTIGATION,  
DESIGN AND CONSTRUCTION  
CE 22/2013 (DS)**

Drawing Title:  
**PROPOSED DRAINAGE WORKS  
AT TAI WO - OPTION 2**

Scale	Designed	Drawn	Checked	Authorised
1 : 2000	KC	WW	TT	JC
Original Size	Date	Date	Date	Date
A3	MAR 2014	MAR 2014	MAR 2014	MAR 2014

Drawing Number: **5124336-GLP-OE-1042**      Revision: **E**



User name: TANK6196 Date: 12/29/2020 Time: 2:52:15 PM  
Filename: P:\CN\KAC\Drainage\Projects\5124336\FIGURE\EA\Renew EIA\5124336-GLP-OE-1042.dgn