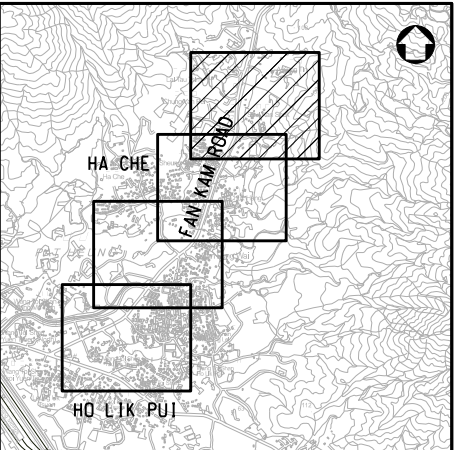


100
0 10
Millimetres

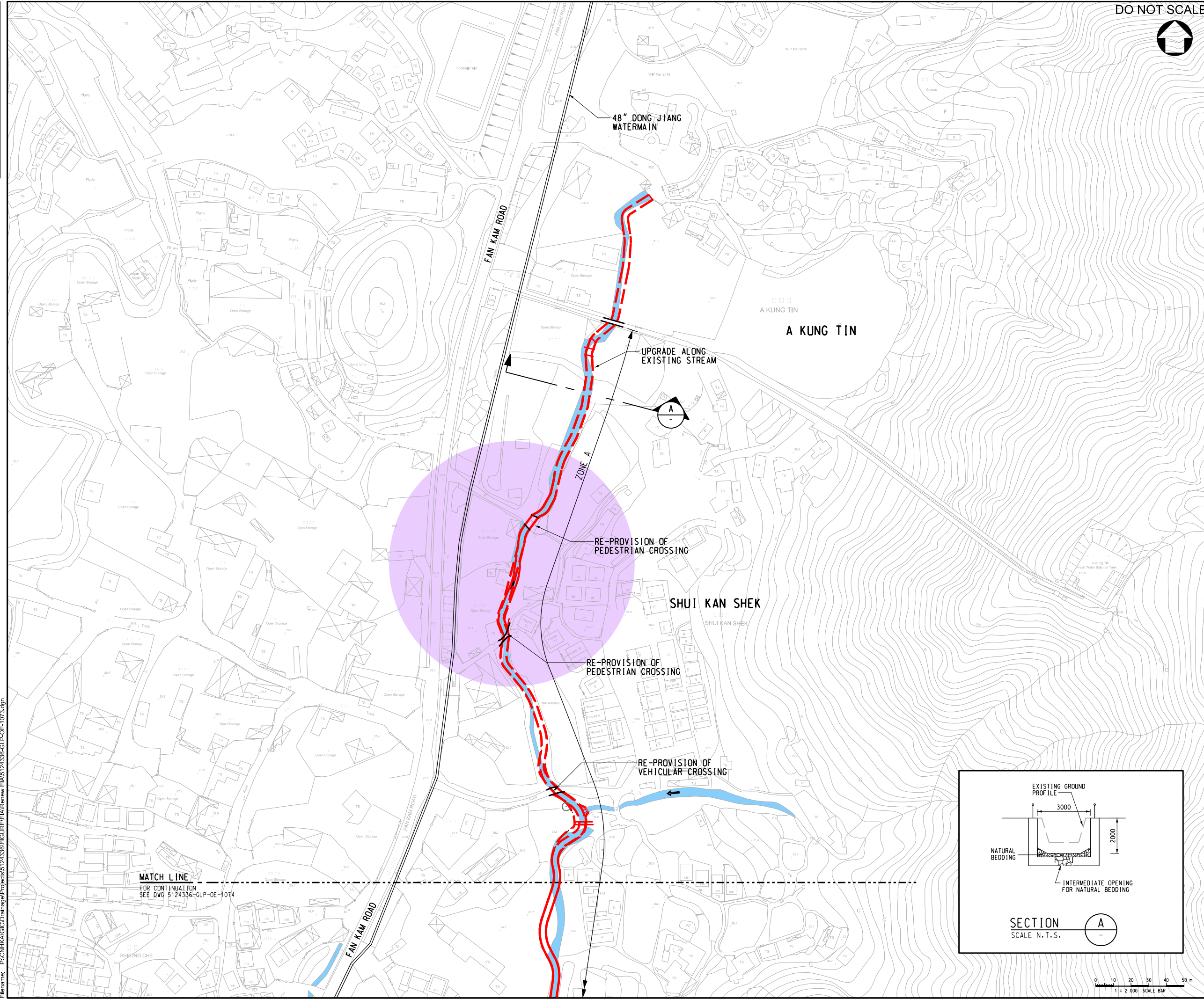
DO NOT SCALE



KEY PLAN
N.T.S.

NOTES:

1. FOR GENERAL NOTES AND LEGEND REFER TO DRAWING 5124336-GLP-OE-0002.



E	DEC 20	FIFTH ISSUE	WSL	WCTT	JC
D	OCT 18	FOURTH ISSUE	WSL	WCTT	JC
C	NOV 14	THIRD ISSUE	MW	TT	JC
B	JUL 14	SECOND ISSUE	WW	TT	JC
A	MAR 14	FIRST ISSUE	WW	TT	JC

Drawing Status: **DETAILED DESIGN**



渠務署
Drainage Services Department

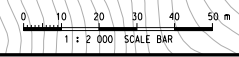
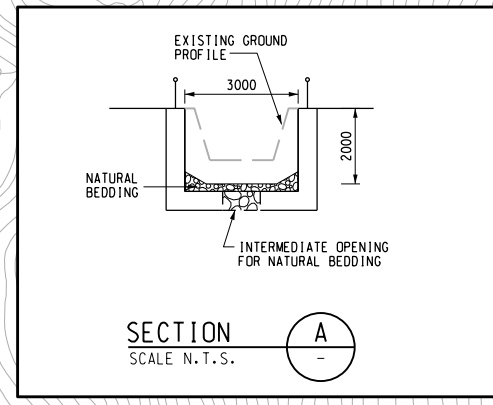
工程管理部
Project Management Division

DRAINAGE IMPROVEMENT WORKS
IN YUEN LONG STAGE 1 - INVESTIGATION,
DESIGN AND CONSTRUCTION
CE 22/2013 (DS)

PROPOSED DRAINAGE WORKS
AT HA CHE - OPTION 2
(SHEET 1 OF 2)

Scale	1 : 2000	Designed	KC	Drawn	WW	Checked	TT	Authorised	JC
Original Size	A3	Date	MAR 2014	Date	MAR 2014	Date	MAR 2014	Date	MAR 2014

Drawing Number: 5124336-GLP-OE-1073



User name: TANKS106 Date: 12/29/2020 Time: 2:28:19 PM
Filename: P:\CN\KAC\Drainage\Projects\5124336\FIGURE\EA\Renew EIA\5124336-GLP-OE-1073.dgn

MATCH LINE
FOR CONTINUATION
SEE DWG 5124336-GLP-OE-1074