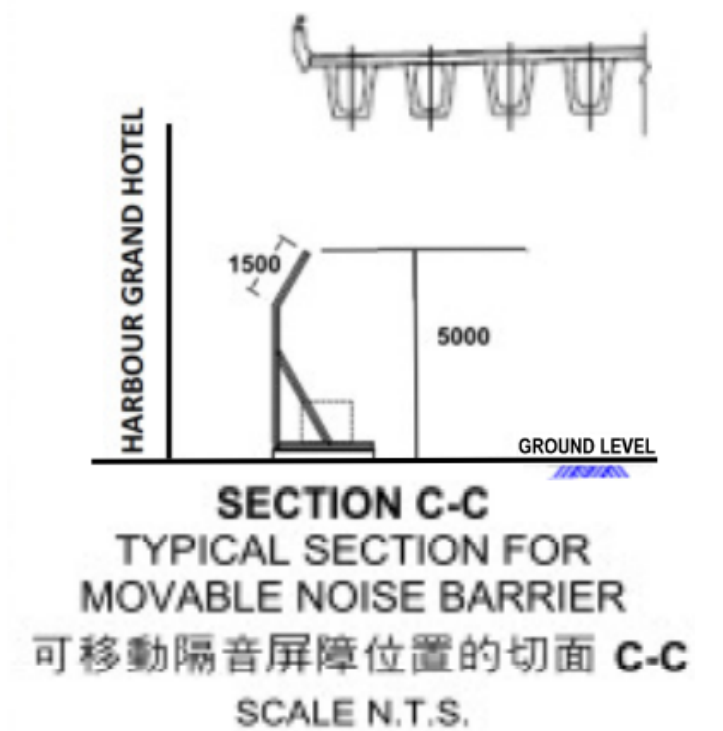


**Key**

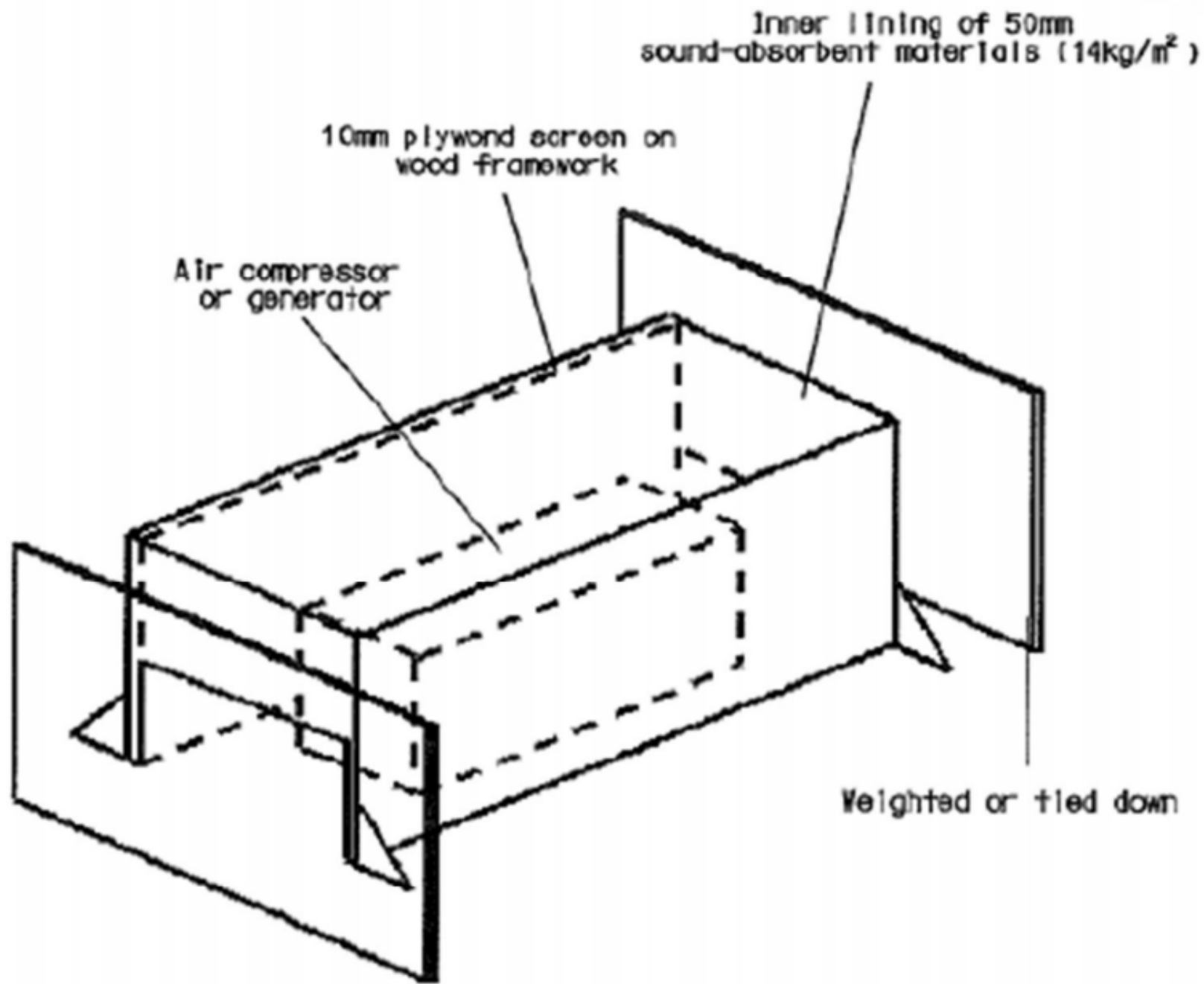
- 1 Acoustic screen 2 m wide and 2.7 m high
- 2 Acoustic shed 2 m square and 2.7 m high



Source: Noise Management Plan for Central - Wan Chai Bypass Tunnel (North Point Section) and Island Eastern Corridor Link (Contract No.: HY/2009/19)

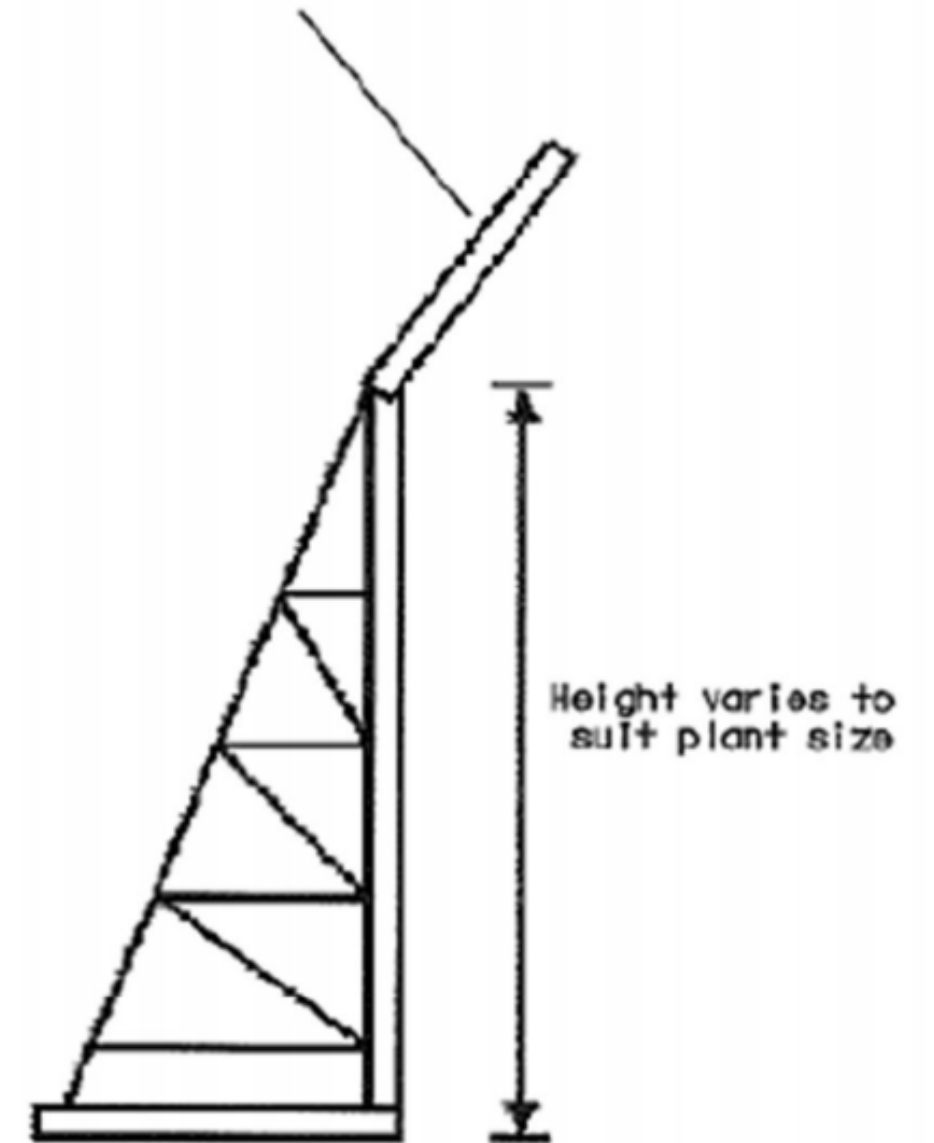
Source: BS 5228-1:2009 Code of practice for noise and vibration control on construction and open sites – Part 1: Noise

DRAWING NO.		APPENDIX 4.9		REVISION
SCALE:	NOT TO SCALE	DATE:		
DESIGNED		CHECKED		



Typical Noise Enclosure for Static Plant  
(e.g. Air Compressors, Generators etc.)  
~3-4m tall

Minimum surface density of 14 kg/m<sup>2</sup>



Typical Temporary Noise Barrier  
for Mobile Plant (~3-5m tall)