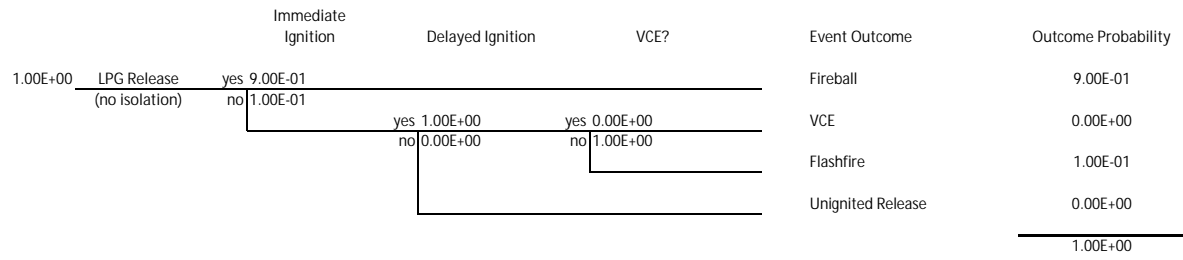


Appendix 11.3

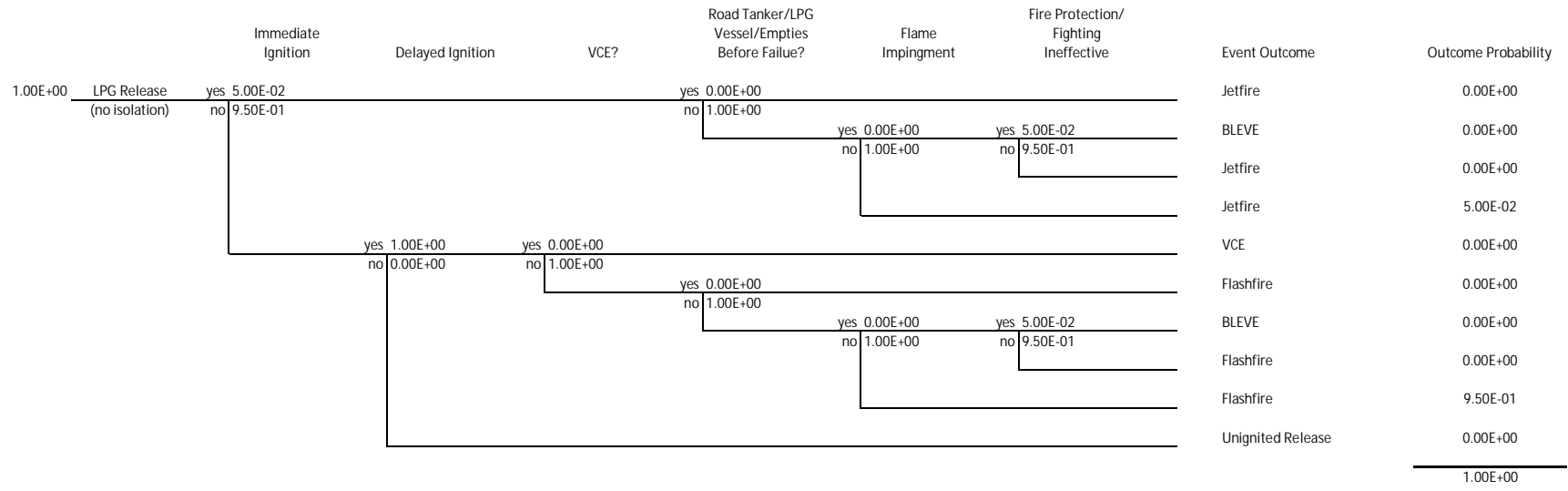
E01

Cold Catastrophic Failure of LPG Vessel



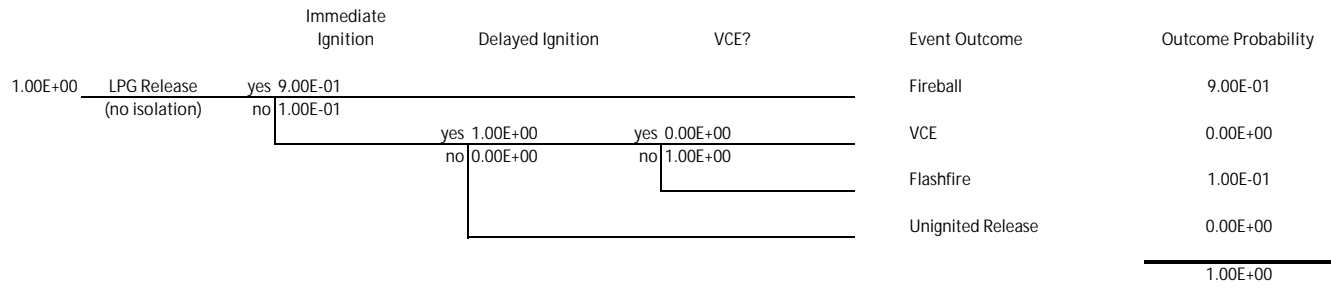
Appendix 11.3

E02 Cold Partial Failure of LPG Vessel



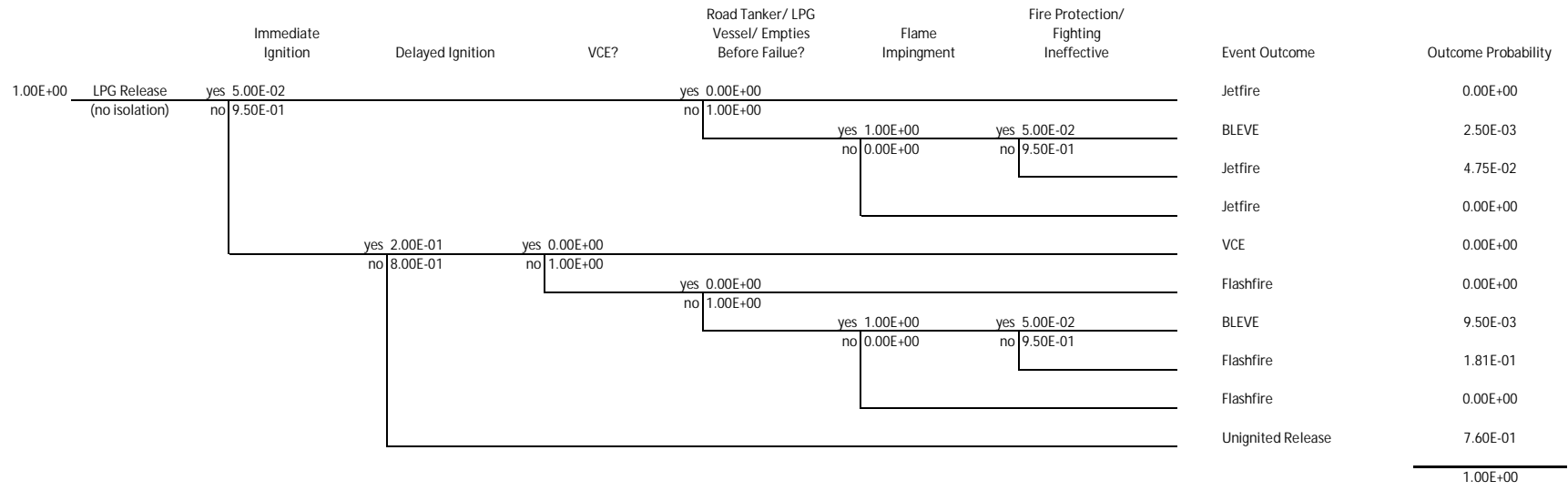
Appendix 11.3

E03 Cold Catastrophic Failure of Road Tanker



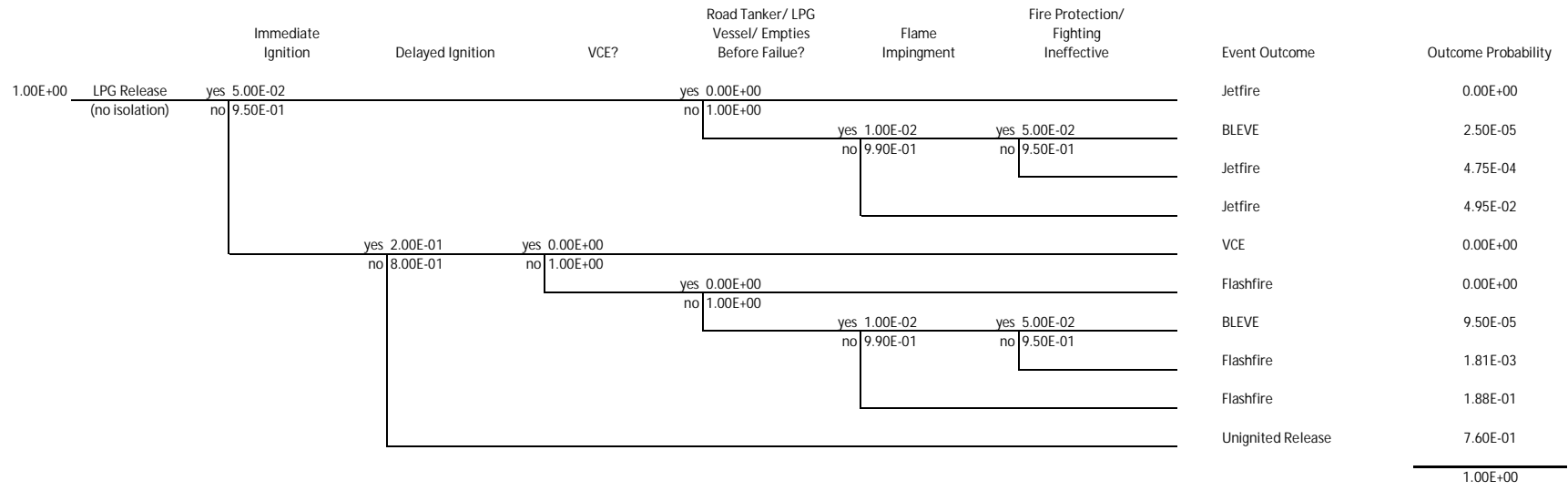
Appendix 11.3

E04 Cold Partial Failure of Road Tanker



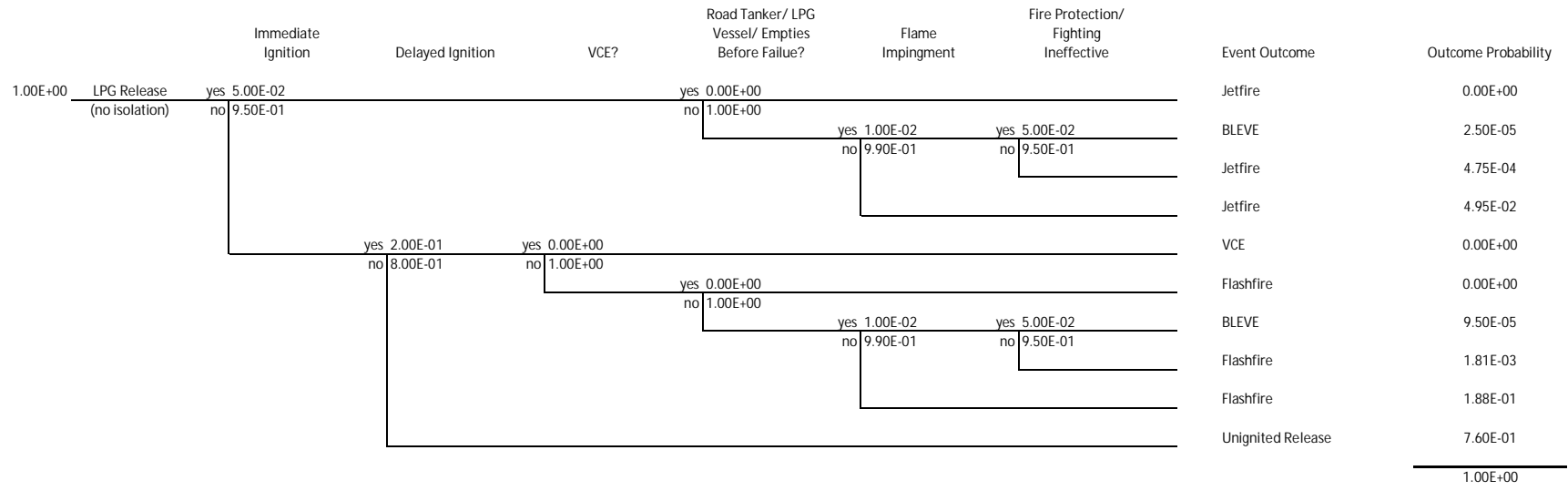
Appendix 11.3

E05 Failure of Liquid Filling Line to Vessel



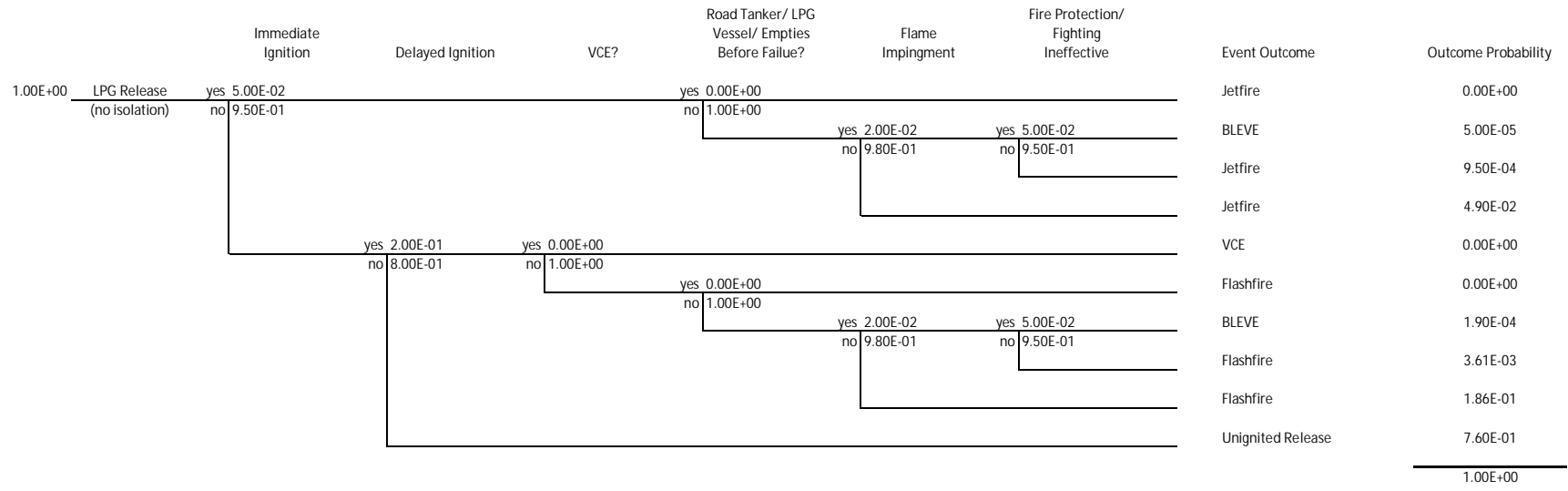
Appendix 11.3

E06 Failure of Liquid Supply Line to Vapouriser



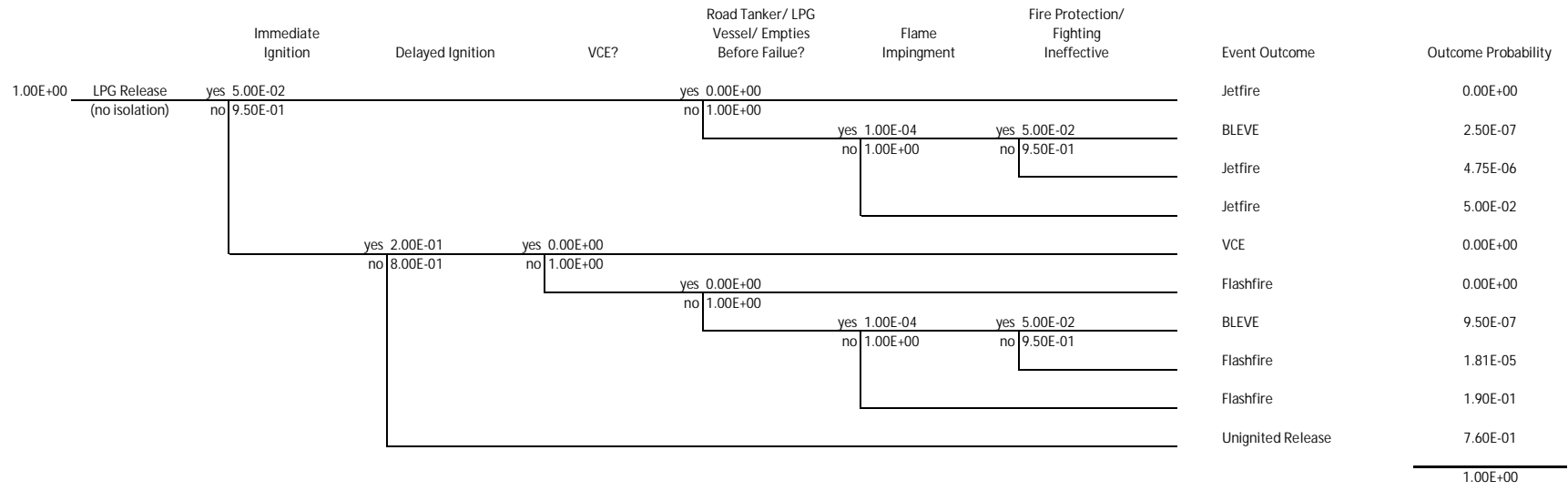
Appendix 11.3

E07 Failure of Filling Line to Flexible Hose



Appendix 11.3

E08 Failure of Vapouriser



Appendix 11.3

E09 Failure of Flexible Hose

