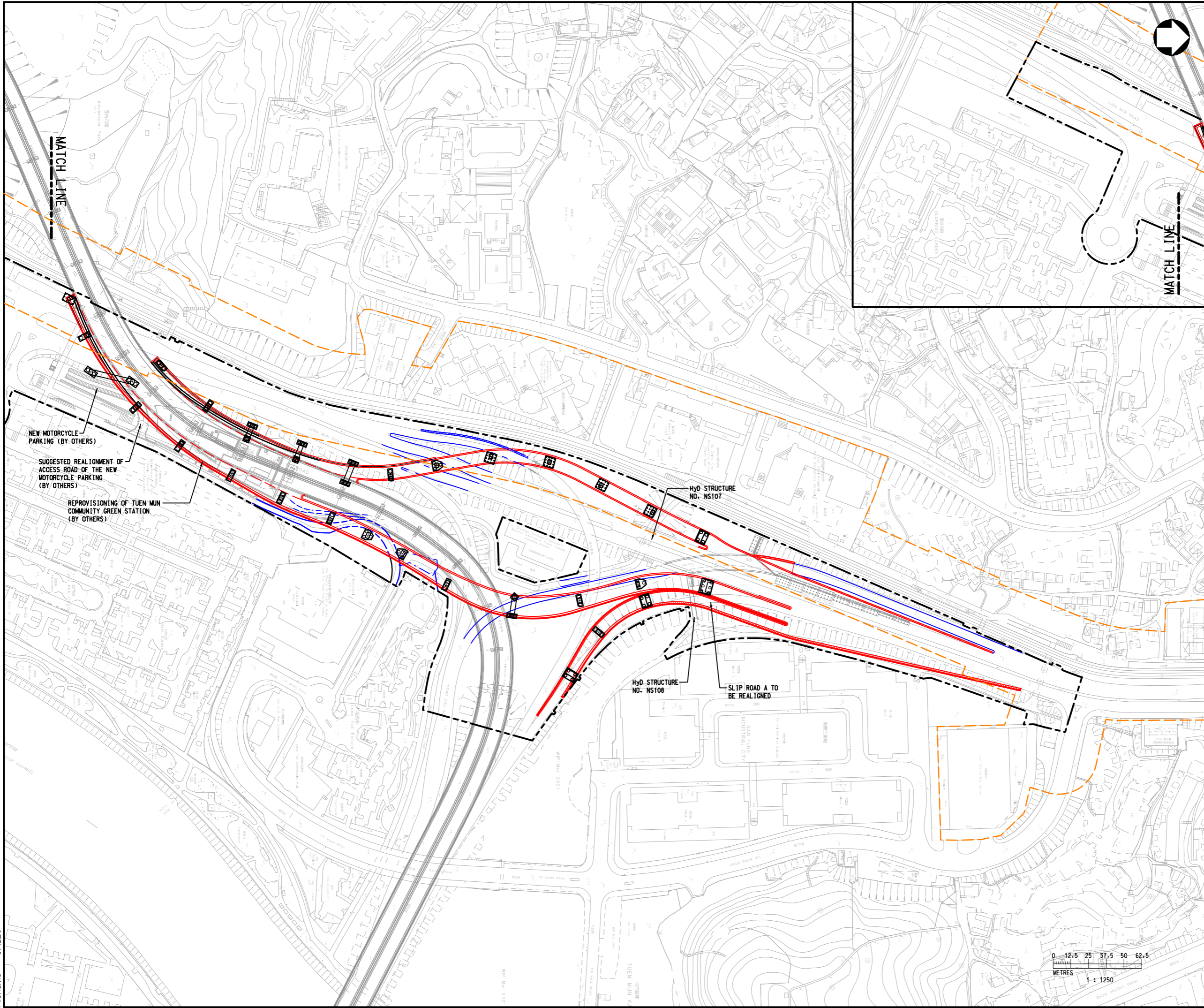





## APPENDIX 9.1

# ENGINEER'S DRAWINGS



- LEGEND :**
- SITE LIMIT
  - BRIDGE
  - AT-GRADE ROAD ALIGNMENT
  - - - RAILWAY PROTECTION BOUNDARY
  - ▨ RETAINING WALL
  - PROPOSED VERTICAL BARRIER

Rev	Description	By	Date
Consultant			
			
Project title			
AGREEMENT NO. CE 11/2021 (HY) TRAFFIC IMPROVEMENT SCHEME IN TUEN MUN - WIDENING AND ADDITION OF SLIP ROADS AT LUNG FU ROAD/ TUEN MUN ROAD/ WONG CHU ROAD/ HOI WING ROAD - INVESTIGATION, DESIGN AND CONSTRUCTION			
Drawing title			
LUNG FU ROAD SLIP ROADS OVERALL PLAN			
Drawing no.		Rev.	
CE11/GN/1010		-	
Drawn	Date	Checked	Approved
CADD	09/21	-	-
Scale	Status		
-	DRAFT		

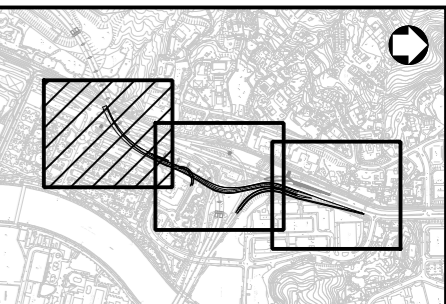
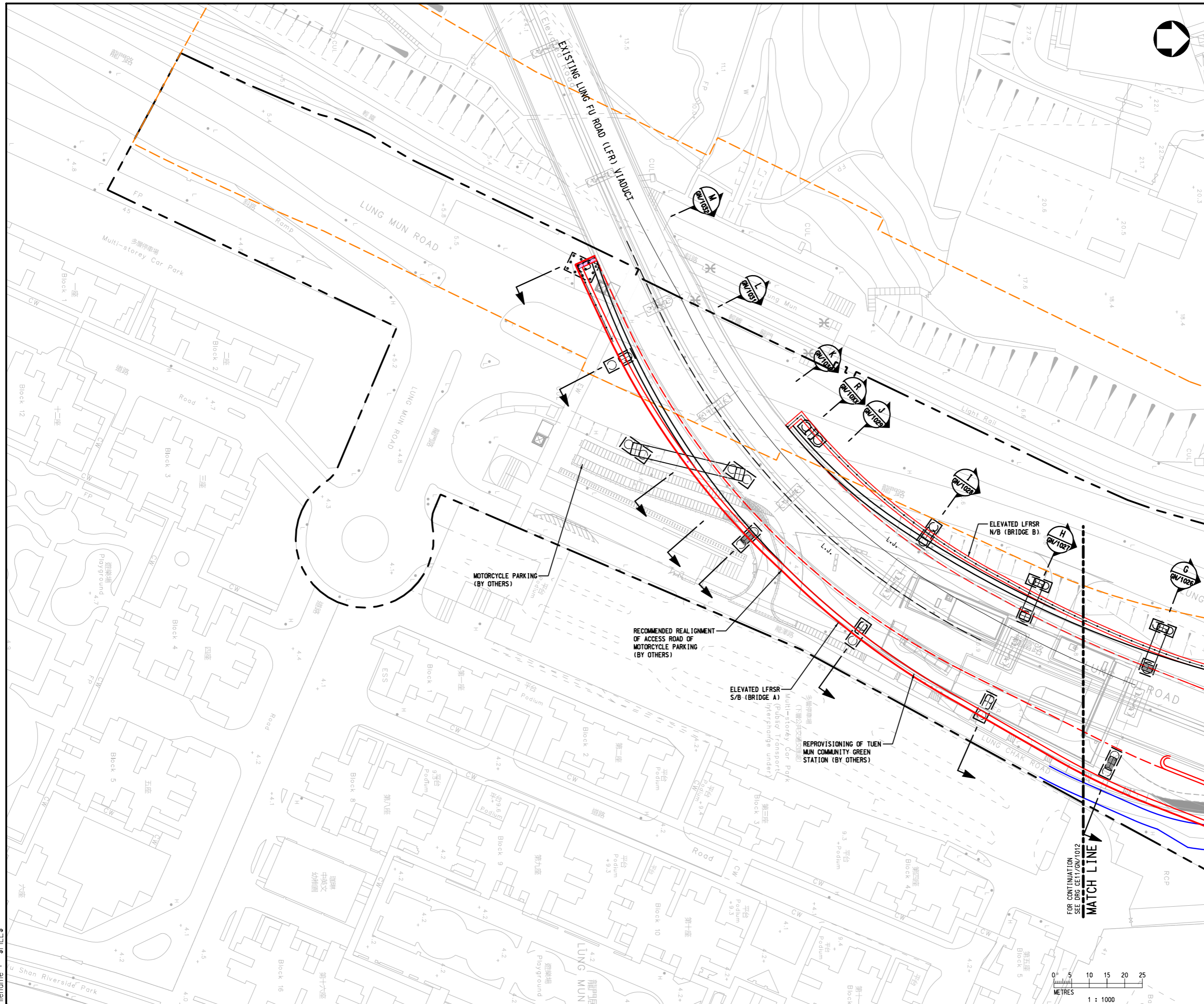
© COPYRIGHT RESERVED



路政署  
HIGHWAYS DEPARTMENT  
主要工程管理處  
MAJOR WORKS PROJECT MANAGEMENT  
OFFICE



Date : \$DATE\$  
Filename : \$FILE\$



- NOTES :**
1. THIS DRAWING TO BE READ IN CONJUNCTION WITH DRAWING NOS. CE11/GN/1011 TO 1013.
  2. ALL LEVELS ARE IN METERS ABOVE HONG KONG PRINCIPAL DATUM (mPD).
  3. ALL COORDINATES ARE IN ACCORDANCE WITH HONG KONG 1980 GEODETIC DATUM.
  4. THE EXISTING DSD'S WESTERN INCEPTOR SEWER SEWAGE PUMPING STATION IS EXCLUDED FROM THE SITE.
  5. THE SITE WITHIN THE EXISTING LOT BOUNDARY OF LUNG YAT ESTATE IS LIMITED TO THE AIRSPACE ONLY, EXCEPT FOR CONSTRUCTION OF THE FOUNDATION. THE SITE FOR CONSTRUCTION OF THE FOUNDATION WITHIN LUNG YAT ESTATE IS LIMITED TO THE EXISTING LANDSCAPING AREA ONLY.
  6. THE SITE WITHIN THE EXISTING LOT BOUNDARY NT101 & NT553 FOR LIGHT RAIL TRANSIT (LRT) NEAR THE LRT SUBSTATION AT YIP WONG ROAD IS LIMITED TO THE ROAD LEVEL ONLY.

- LEGEND :**
- SITE LIMIT
  - - - RAILWAY PROTECTION BOUNDARY
  - BRIDGE
  - AT-GRADE ROAD ALIGNMENT
  - ▨ RETAINING WALL
  - ▨ ABUTMENT WALL
  - ▨ L4 VEHICLE PARAPET (MIN. HEIGHT 1.8m)
  - ▭ SUBSTRUCTURE AND FOUNDATION
  - ▭ EXISTING FOOTPATH TO BE DECOMMISSIONED
  - PROPOSED VERTICAL BARRIER
  - GULLY
  - ⊕ DOWNPIPE
- ABBREVIATION :**
- L.J. LONGITUDINAL JOINT

Consultant  
**wsp**

Project title  
**AGREEMENT NO. CE 11/2021 (HY)  
TRAFFIC IMPROVEMENT SCHEME IN TUEN MUN  
- WIDENING AND ADDITION OF SLIP ROADS  
AT LUNG FU ROAD/ TUEN MUN ROAD/  
WONG CHU ROAD/ HOI WING ROAD -  
INVESTIGATION, DESIGN AND CONSTRUCTION**

Drawing title  
**LUNG FU ROAD SLIP ROADS  
GENERAL LAYOUT PLAN**

(SHEET 1 OF 3)

Drawing no. <b>CE11/GN/1011</b>		Rev. —	
Drawn CADD	Date 09/21	Checked —	Approved —
Scale 1 : 1000 (A3)		Status <b>DRAFT</b>	

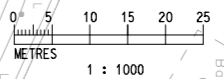
© COPYRIGHT RESERVED

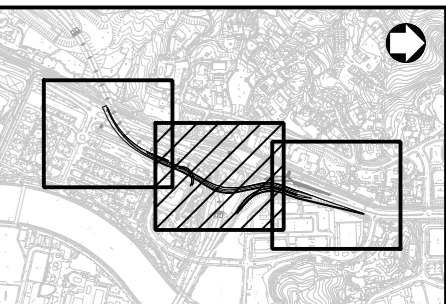
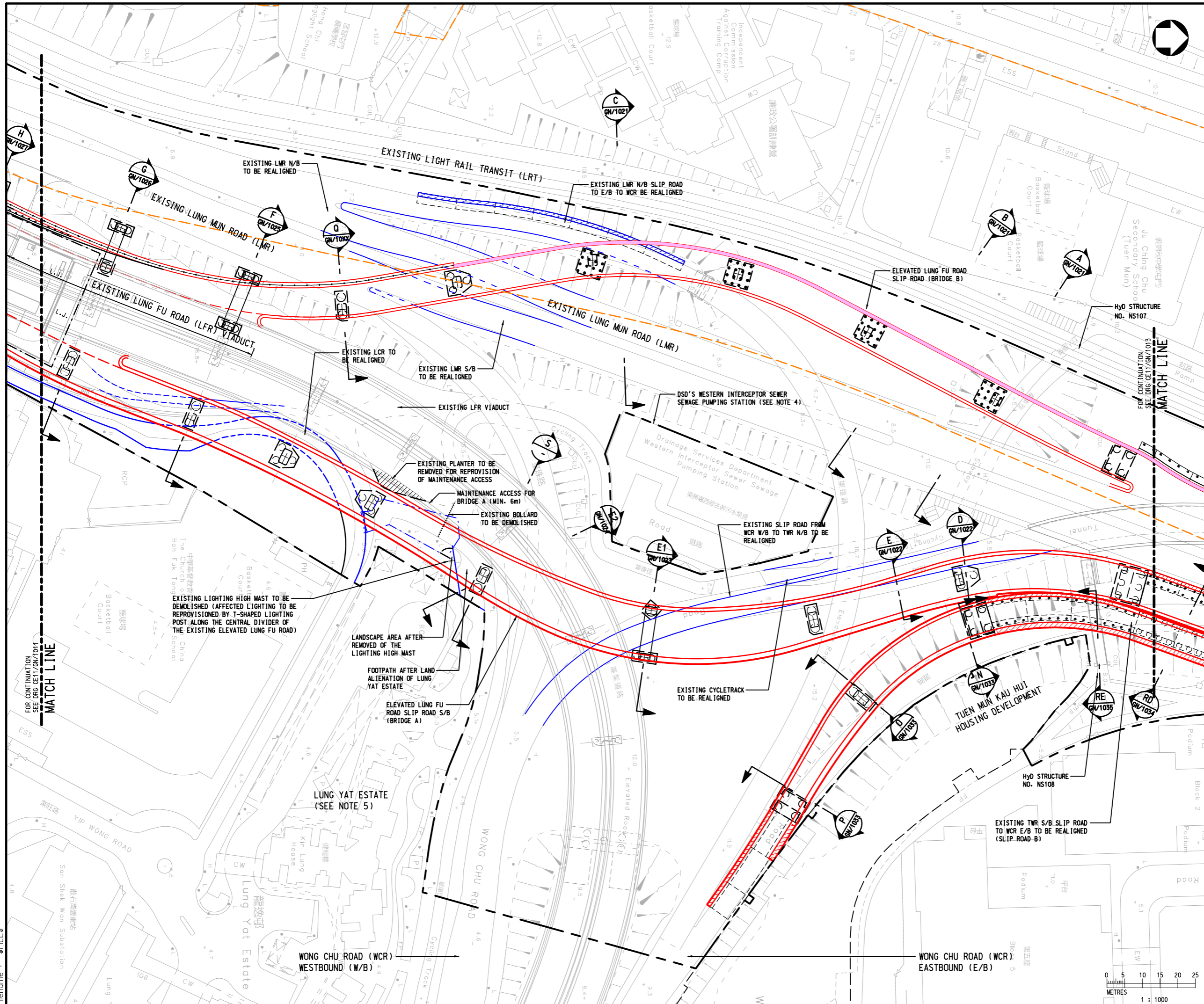
**路政署  
HIGHWAYS DEPARTMENT**  
主要工程管理處  
MAJOR WORKS PROJECT MANAGEMENT  
OFFICE

Date : \$DATE\$  
Filename : \$FILE\$

FOR CONTINUATION  
SEE DRG CE11/GN/1012

**MATCH LINE**





**KEY PLAN**

- NOTES :**
- FOR NOTES AND LEGEND REFER TO DRAWING NO. CE11/GN/1011.
  - THIS DRAWING TO BE READ IN CONJUNCTION WITH DRAWING NOS. CE11/GN/1011 TO 1013.

Rev	Description	By	Date



Project title  
**AGREEMENT NO. CE 11/2021 (HY)  
 TRAFFIC IMPROVEMENT SCHEME IN TUEN MUN  
 - WIDENING AND ADDITION OF SLIP ROADS  
 AT LUNG FU ROAD/ TUEN MUN ROAD/  
 WONG CHU ROAD/ HOI WING ROAD -  
 INVESTIGATION, DESIGN AND CONSTRUCTION**

**LUNG FU ROAD SLIP ROADS  
 GENERAL LAYOUT PLAN**

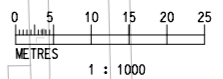
(SHEET 2 OF 3)

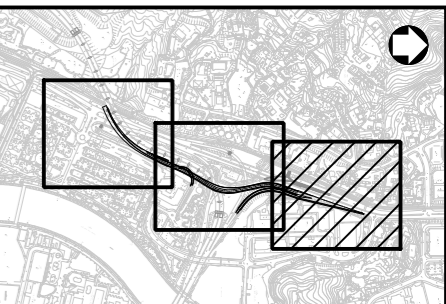
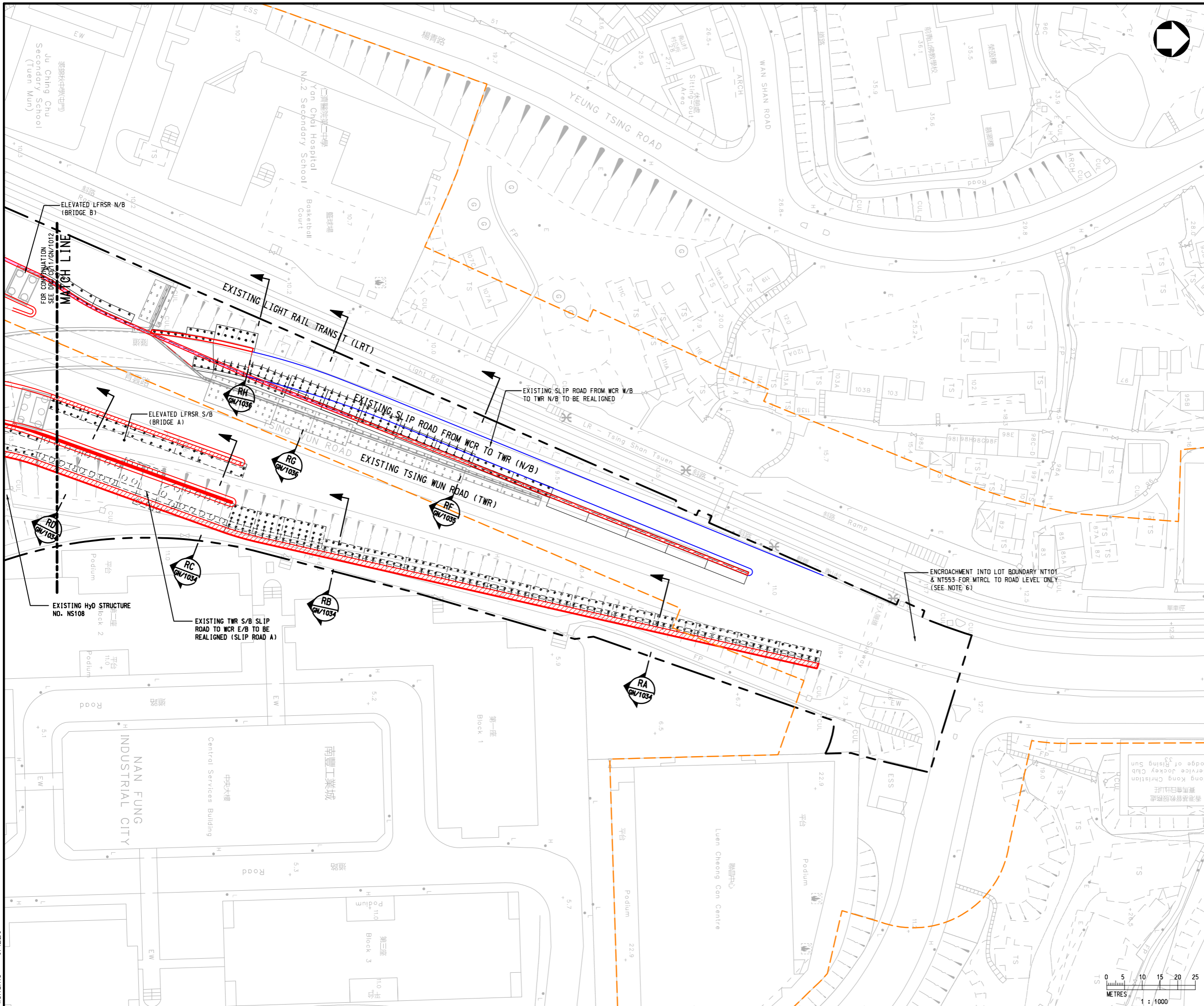
Drawing no. <b>CE11/GN/1012</b>		Rev. -	
Drawn CADD	Date 09/21	Checked -	Approved -
Scale 1 : 1000 (A3)		Status <b>DRAFT</b>	

© COPYRIGHT RESERVED

路政署  
**HIGHWAYS DEPARTMENT**  
 主要工程管理處  
**MAJOR WORKS PROJECT MANAGEMENT  
 OFFICE**



Date : \$DATE\$  
 File name : \$FILE\$





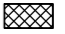

KEY PLAN

- NOTES :
- FOR NOTES AND LEGEND REFER TO DRAWING NO. CE11/GN/1011.
  - THIS DRAWING TO BE READ IN CONJUNCTION WITH DRAWING NOS. CE11/GN/1011 TO 1013.

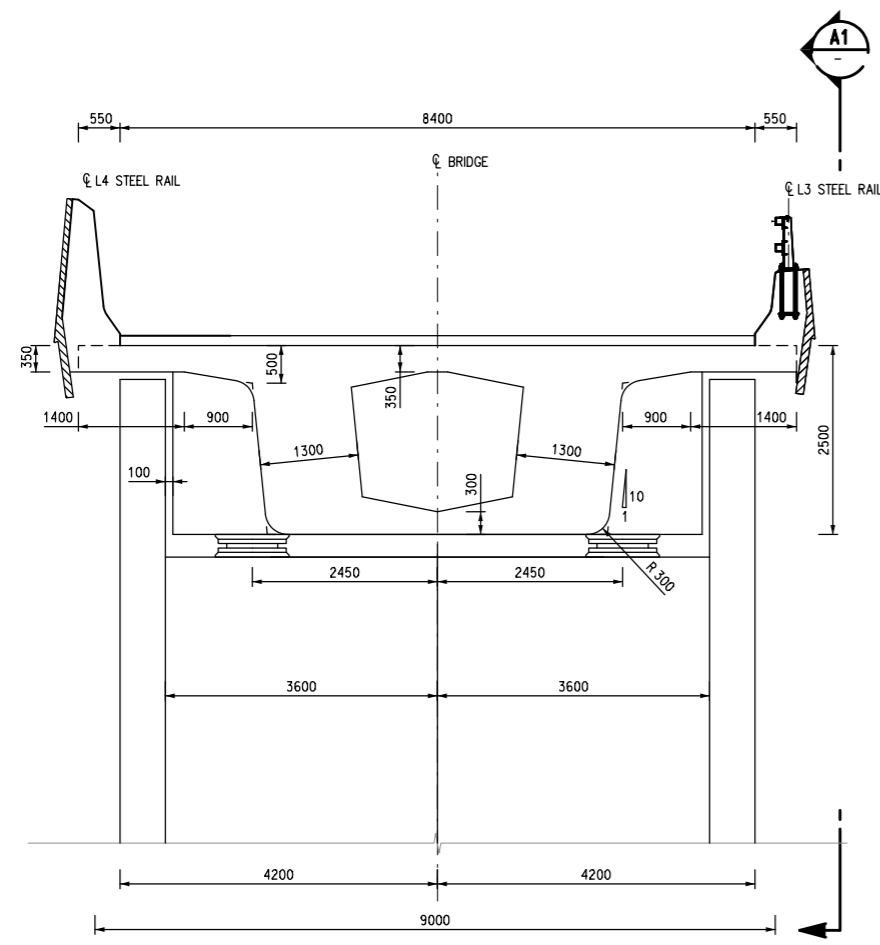
Rev	Description	By	Date
Consultant			
			
Project title AGREEMENT NO. CE 11/2021 (HY) TRAFFIC IMPROVEMENT SCHEME IN TUEN MUN - WIDENING AND ADDITION OF SLIP ROADS AT LUNG FU ROAD/ TUEN MUN ROAD/ WONG CHU ROAD/ HOI WING ROAD - INVESTIGATION, DESIGN AND CONSTRUCTION			
Drawing title <b>LUNG FU ROAD SLIP ROADS            GENERAL LAYOUT PLAN</b>			
(SHEET 3 OF 3)			
Drawing no. <b>CE11/GN/1013</b>		Rev. -	
Drawn CADD	Date 09/21	Checked -	Approved -
Scale 1 : 1000 (A3)		Status <b>DRAFT</b>	
© COPYRIGHT RESERVED			
 <b>路政署 HIGHWAYS DEPARTMENT</b> 主要工程管理處 MAJOR WORKS PROJECT MANAGEMENT OFFICE			

Date : \$DATE\$  
 Filename : \$FILE\$

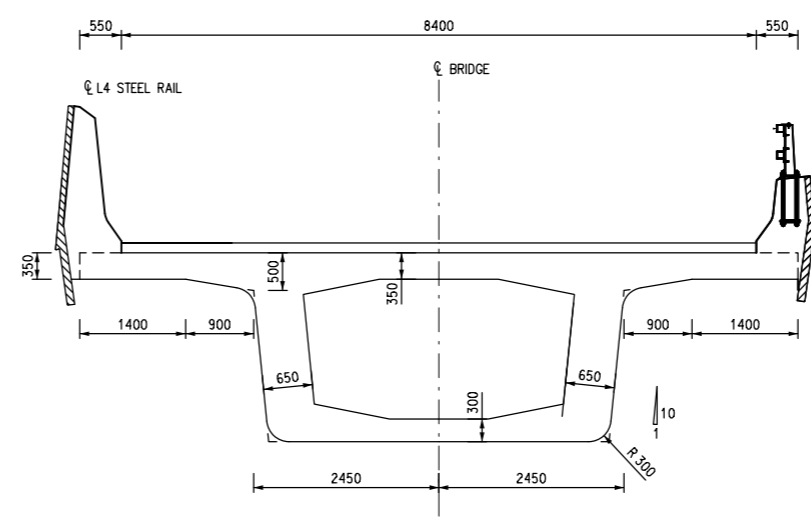


- LEGEND :**
-  EXISTING STRUCTURES TO BE DEMOLISHED
  -  CAST-IN-SITU STITCHING

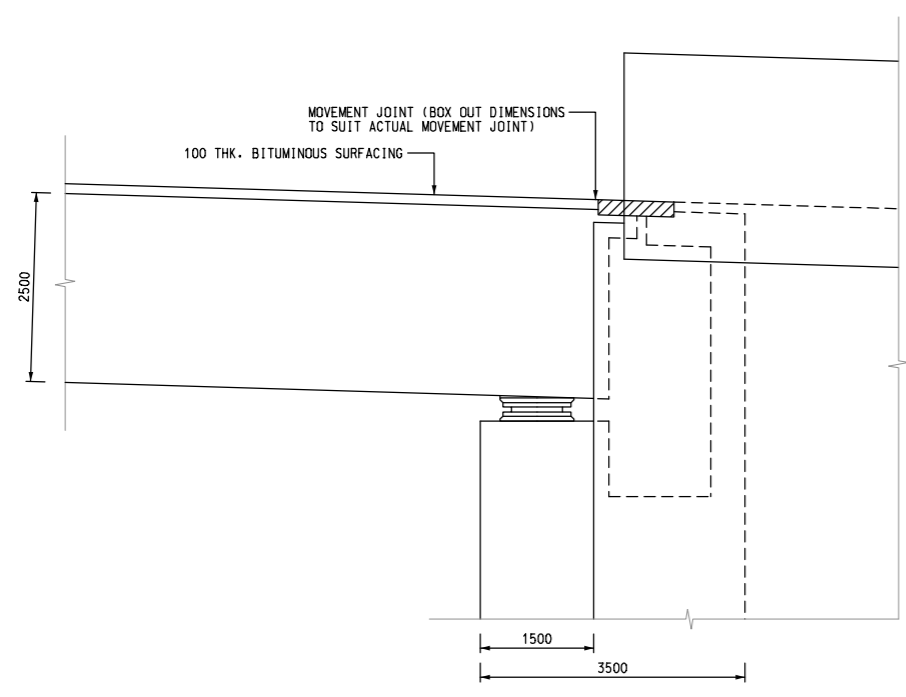
- NOTES :**
1. THIS DRAWING TO BE READ IN CONJUNCTION WITH DRAWING NOS. CE11/GN/1021 TO 1036.
  2. FOR LAYOUT PLAN REFER TO DRAWING NOS. CE11/GN/1011 TO 1013.
  3. ALL LEVELS ARE IN METERS ABOVE HONG KONG PRINCIPAL DATUM (mPD).
  4. NOISE BARRIER IS INDICATIVE ONLY; NECESSITY AND EXTENT TO BE DETERMINED.
  5. THE TOP AND SOFFIT LEVEL OF PORTAL BEAM AND PIER STRUCTURE TO BE DETERMINED IN DETAILED STAGE.



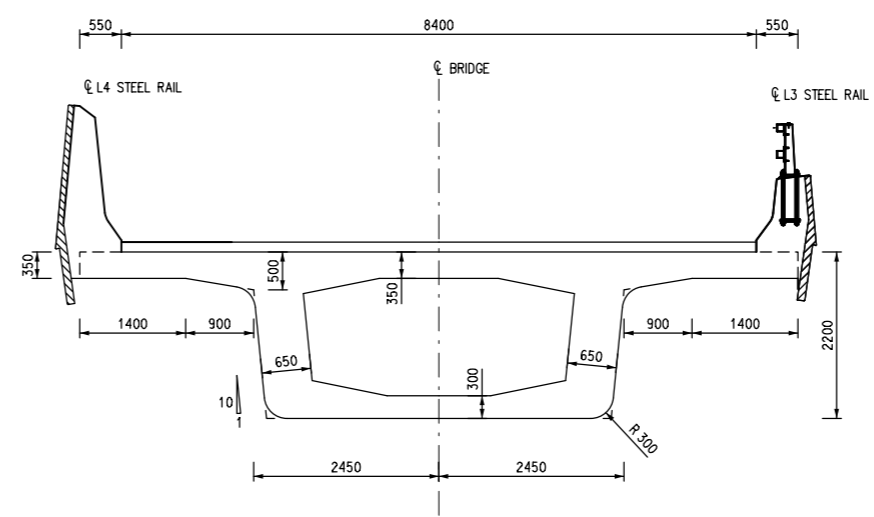
**SECTION A**  
SCALE 1:50  
GN/1012



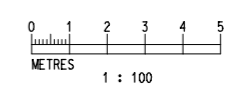
**SECTION B**  
SCALE 1:50  
GN/1012



**SECTION A1**  
SCALE 1:50




**SECTION C**  
SCALE 1:50  
GN/1012



Rev	Description	By	Date

Consultant



Project title  
 AGREEMENT NO. CE 11/2021 (HY)  
 TRAFFIC IMPROVEMENT SCHEME IN TUEN MUN  
 - WIDENING AND ADDITION OF SLIP ROADS  
 AT LUNG FU ROAD/ TUEN MUN ROAD/  
 WONG CHU ROAD/ HOI WING ROAD -  
 INVESTIGATION, DESIGN AND CONSTRUCTION

Drawing title  
**LFRSR  
 SECTIONS**

(SHEET 1)

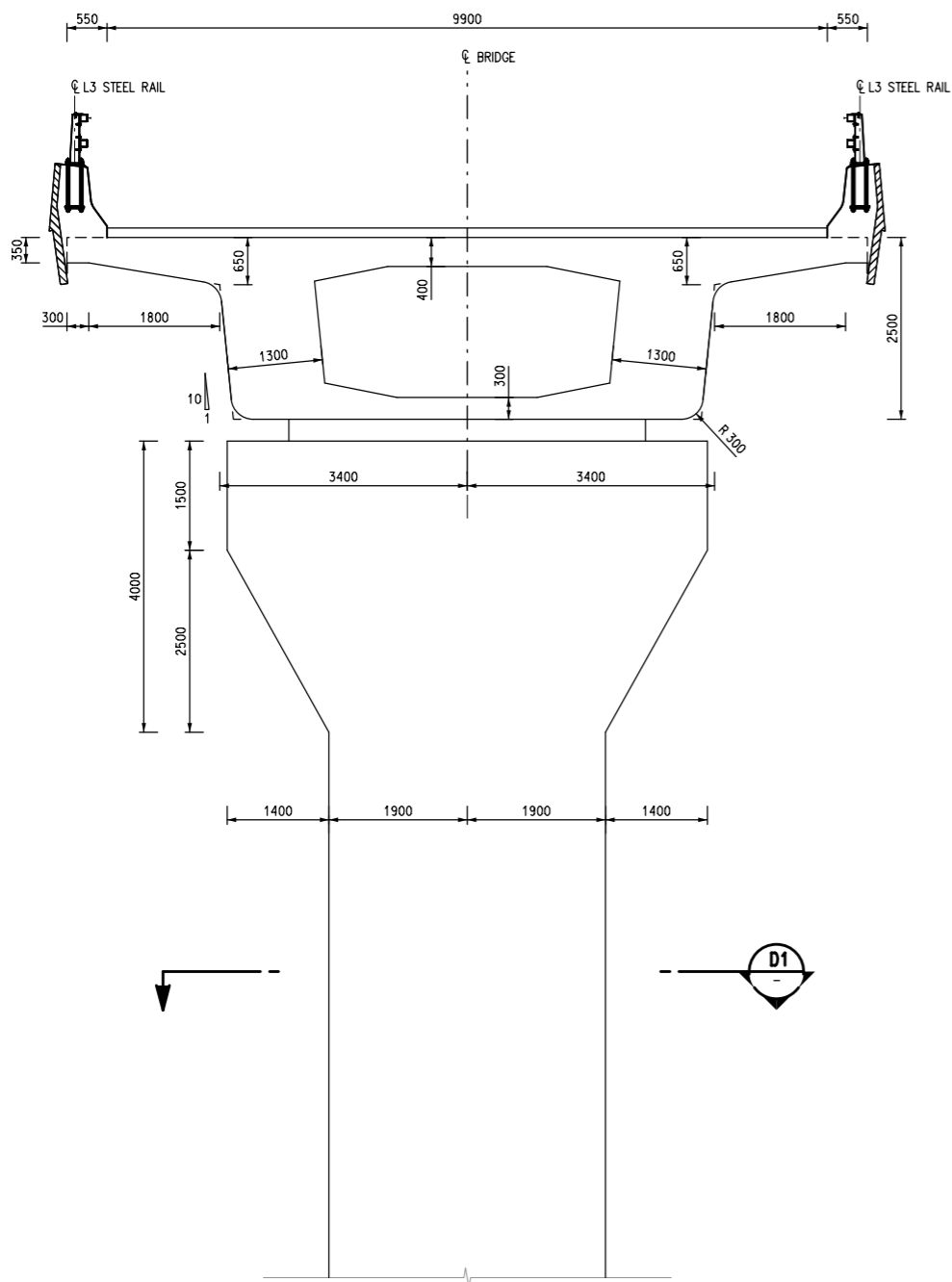
Drawing no. <b>CE11/GN/1021</b>		Rev. -	
Drawn CADD	Date 11/21	Checked -	Approved -
Scale 1:100 (A3)		Status <b>DRAFT</b>	

© COPYRIGHT RESERVED

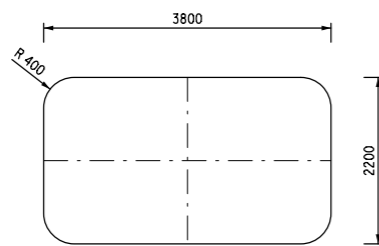


路政署  
**HIGHWAYS DEPARTMENT**  
 主要工程管理處  
 MAJOR WORKS PROJECT MANAGEMENT  
 OFFICE

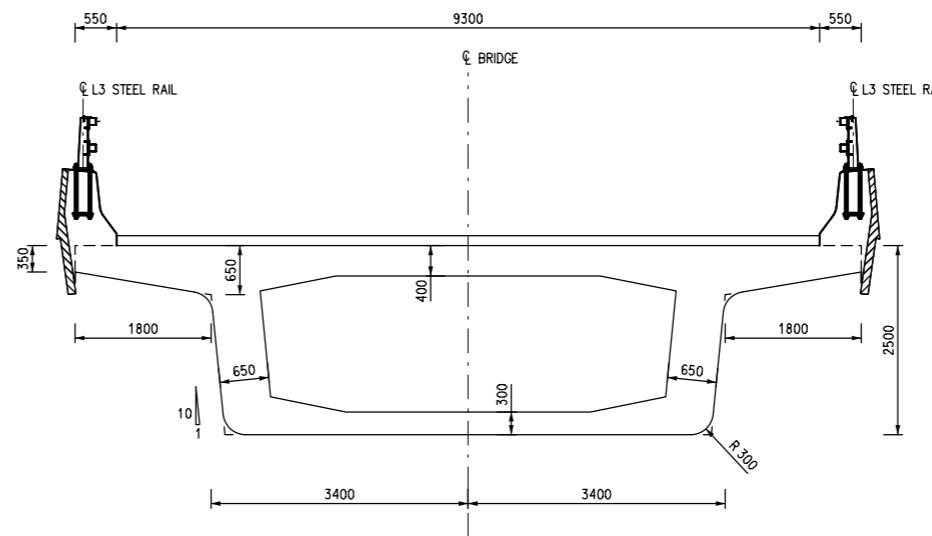
Date : 3/21/2023  
 Filename : X:\2512229A (CE11-2021-HY)\02\_Drawing\02\_Figure\01+02\_LFRSR\CE11\_GN\_1021.dgn



SECTION D  
SCALE 1:50  
GN/1012



SECTION D1  
SCALE 1:50



SECTION E  
SCALE 1:50  
GN/1012

NOTES :

1. FOR NOTES AND LEGEND REFER TO DRAWING NO. CE11/GN/1021.
2. THIS DRAWING TO BE READ IN CONJUNCTION WITH DRAWING NOS. CE11/GN/1021 TO 1036.

Rev	Description	By	Date



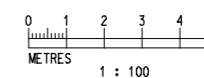
Project title  
 AGREEMENT NO. CE 11/2021 (HY)  
 TRAFFIC IMPROVEMENT SCHEME IN TUEN MUN  
 - WIDENING AND ADDITION OF SLIP ROADS  
 AT LUNG FU ROAD/ TUEN MUN ROAD/  
 WONG CHU ROAD/ HOI WING ROAD -  
 INVESTIGATION, DESIGN AND CONSTRUCTION

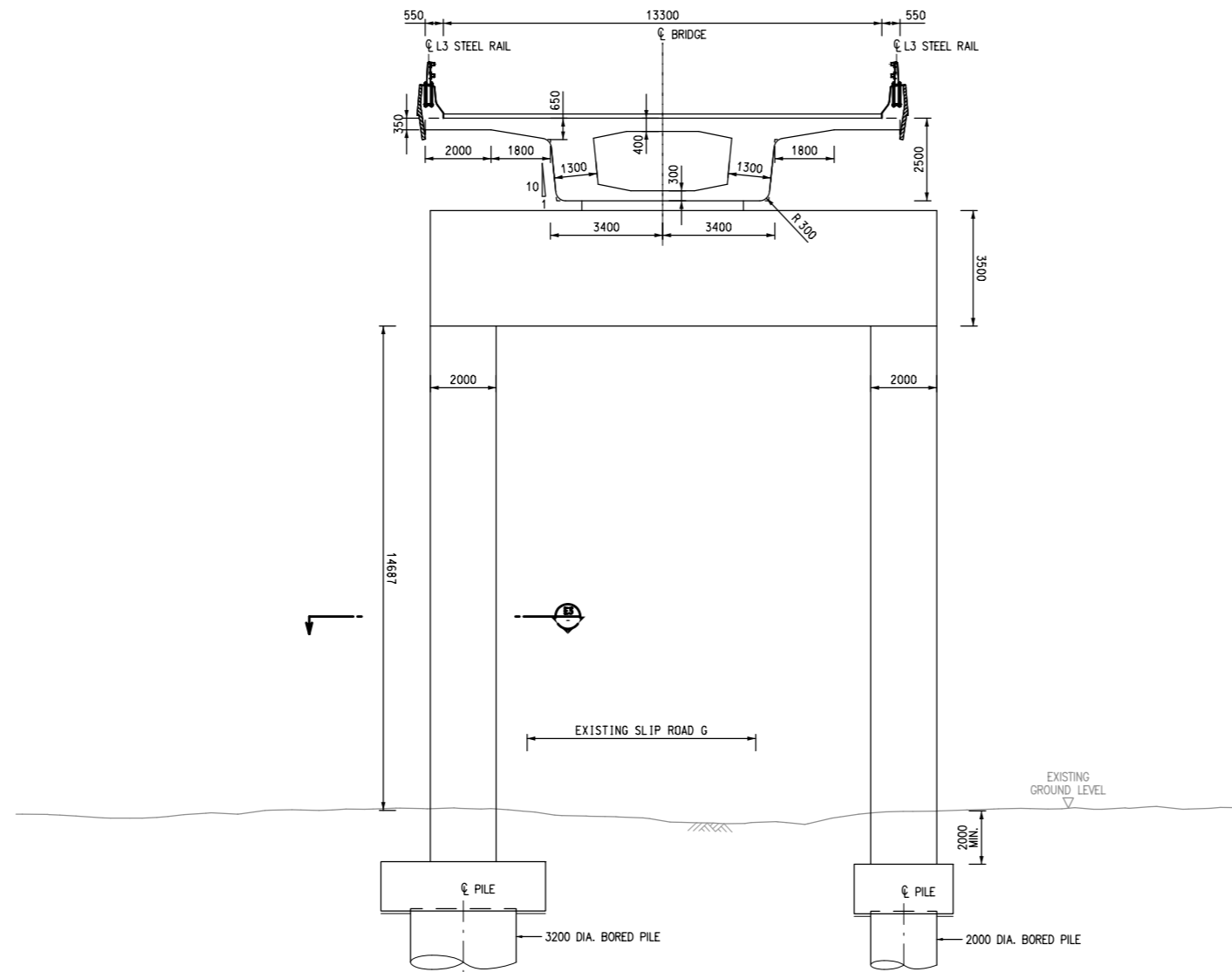
Drawing title  
**LFRSR  
 SECTIONS**

(SHEET 2)

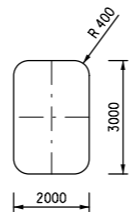
Drawing no. <b>CE11/GN/1022</b>		Rev. -	
Drawn CADD	Date 11/21	Checked -	Approved -
Scale 1:100 (A3)		Status DRAFT	

© COPYRIGHT RESERVED





SECTION E1  
 SCALE 1:100  
 GN/1012



SECTION E3  
 SCALE 1:100

NOTES :

- FOR NOTES AND LEGEND REFER TO DRAWING NO. CE11/GN/1021.
- THIS DRAWING TO BE READ IN CONJUNCTION WITH DRAWING NOS. CE11/GN/1021 TO 1036.

Rev	Description	By	Date



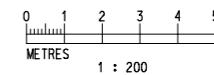
Project title  
 AGREEMENT NO. CE 11/2021 (HY)  
 TRAFFIC IMPROVEMENT SCHEME IN TUEN MUN  
 - WIDENING AND ADDITION OF SLIP ROADS  
 AT LUNG FU ROAD/ TUEN MUN ROAD/  
 WONG CHU ROAD/ HOI WING ROAD -  
 INVESTIGATION, DESIGN AND CONSTRUCTION

Drawing title  
**LFRSR  
 SECTIONS**

(SHEET 3)

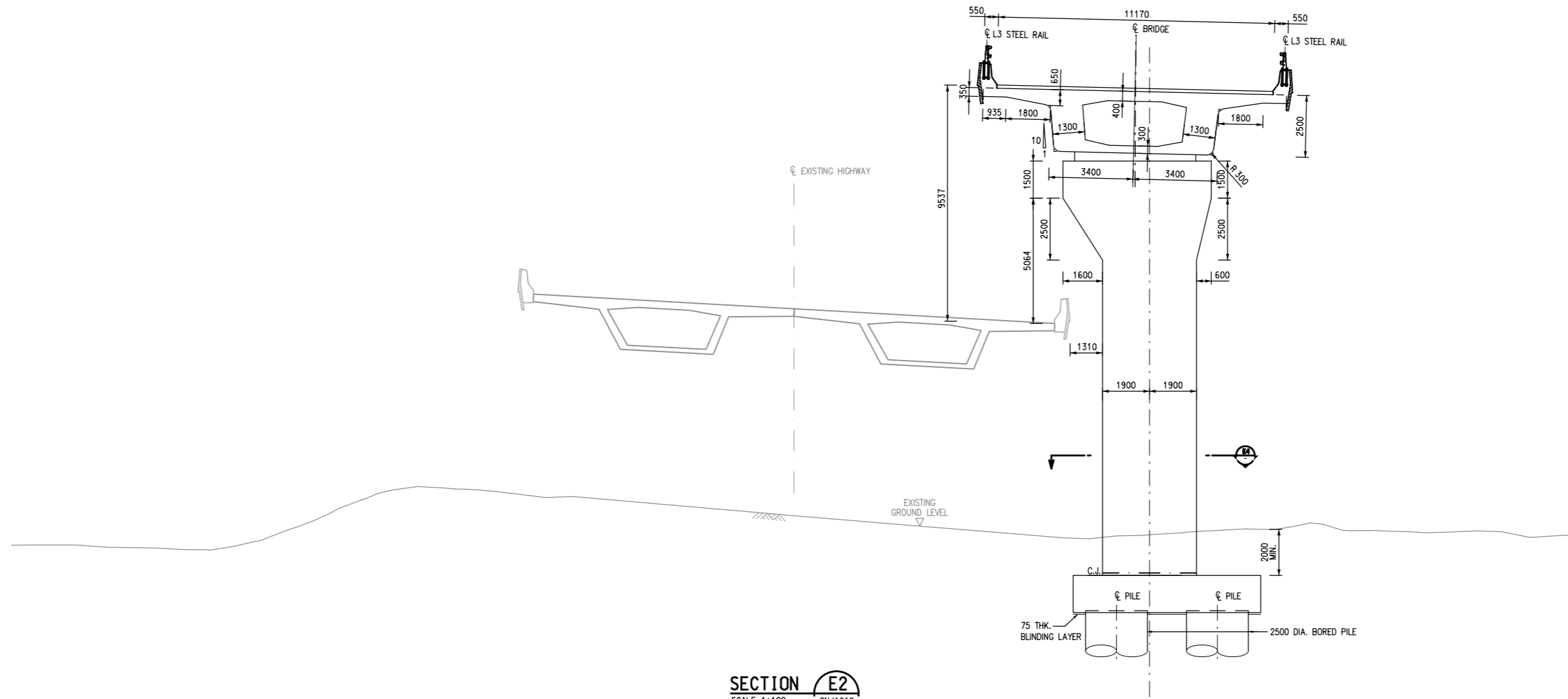
Drawing no. <b>CE11/GN/1023</b>		Rev. -	
Drawn CADD	Date 11/21	Checked -	Approved -
Scale 1:200 (A3)		Status <b>DRAFT</b>	

© COPYRIGHT RESERVED

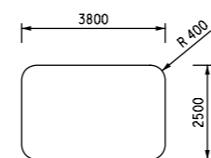




Date : 3/21/2023  
 Filename : X:\2512229A (CE11-2021-HY)\02\_Drawing\02\_Figure\01+02\_LFRSR\CE11\_GN\_1024.dgn



**SECTION E2**  
 SCALE 1:100 GN/1012



**SECTION E4**  
 SCALE 1:100

- NOTES :**
- FOR NOTES AND LEGEND REFER TO DRAWING NO. CE11/GN/1021.
  - THIS DRAWING TO BE READ IN CONJUNCTION WITH DRAWING NOS. CE11/GN/1021 TO 1036.

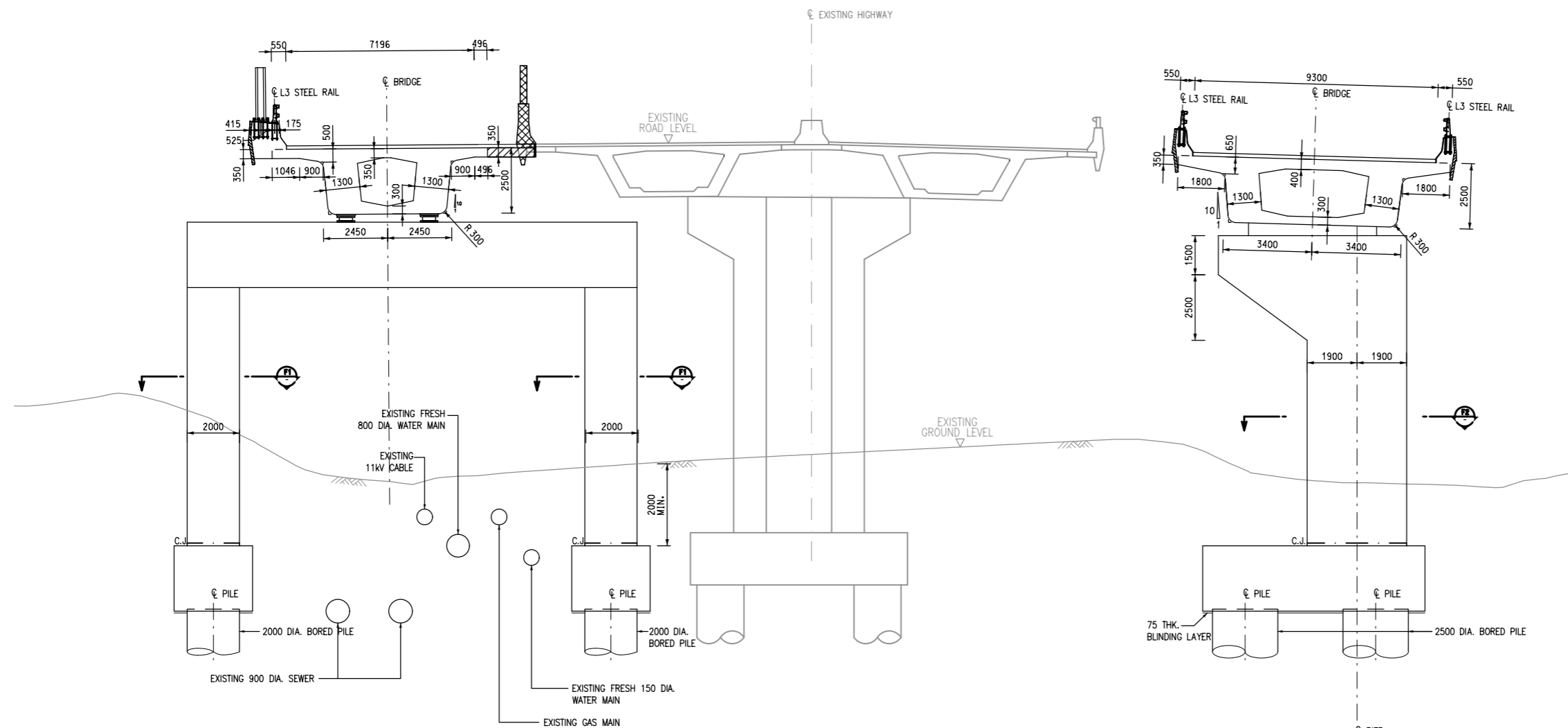
Rev	Description	By	Date
Consultant			
Project title			
AGREEMENT NO. CE 11/2021 (HY) TRAFFIC IMPROVEMENT SCHEME IN TUEN MUN - WIDENING AND ADDITION OF SLIP ROADS AT LUNG FU ROAD/ TUEN MUN ROAD/ WONG CHU ROAD/ HOI WING ROAD - INVESTIGATION, DESIGN AND CONSTRUCTION			
Drawing title			
LFRSR SECTIONS			
(SHEET 4)			
Drawing no. <b>CE11/GN/1024</b>			Rev. -
Drawn CADD	Date 11/21	Checked -	Approved -
Scale 1:200 (A3)		Status DRAFT	



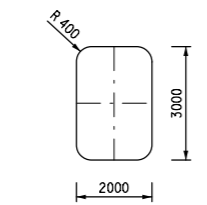
© COPYRIGHT RESERVED

**路政署**  
**HIGHWAYS DEPARTMENT**  
 主要工程管理處  
 MAJOR WORKS PROJECT MANAGEMENT  
 OFFICE

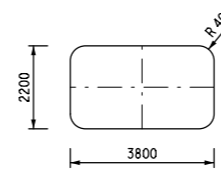
Date : 3/30/2023  
 Filename : X:\2512229A (CE11-2021-HY)\02\_Drawing\02\_Figure\01+02\_LFRSR\CE11\_GN\_1025.dgn



SECTION F  
 SCALE 1:100  
 GN/1012



SECTION F1  
 SCALE 1:100



SECTION F2  
 SCALE 1:100

NOTES :

- FOR NOTES AND LEGEND REFER TO DRAWING NO. CE11/GN/1021.
- THIS DRAWING TO BE READ IN CONJUNCTION WITH DRAWING NOS. CE11/GN/1021 TO 1036.

Rev	Description	By	Date



Project title  
 AGREEMENT NO. CE 11/2021 (HY)  
 TRAFFIC IMPROVEMENT SCHEME IN TUEN MUN  
 - WIDENING AND ADDITION OF SLIP ROADS  
 AT LUNG FU ROAD/ TUEN MUN ROAD/  
 WONG CHU ROAD/ HOI WING ROAD -  
 INVESTIGATION, DESIGN AND CONSTRUCTION

Drawing title  
**LFRSR  
 SECTIONS**

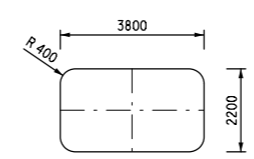
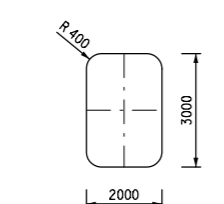
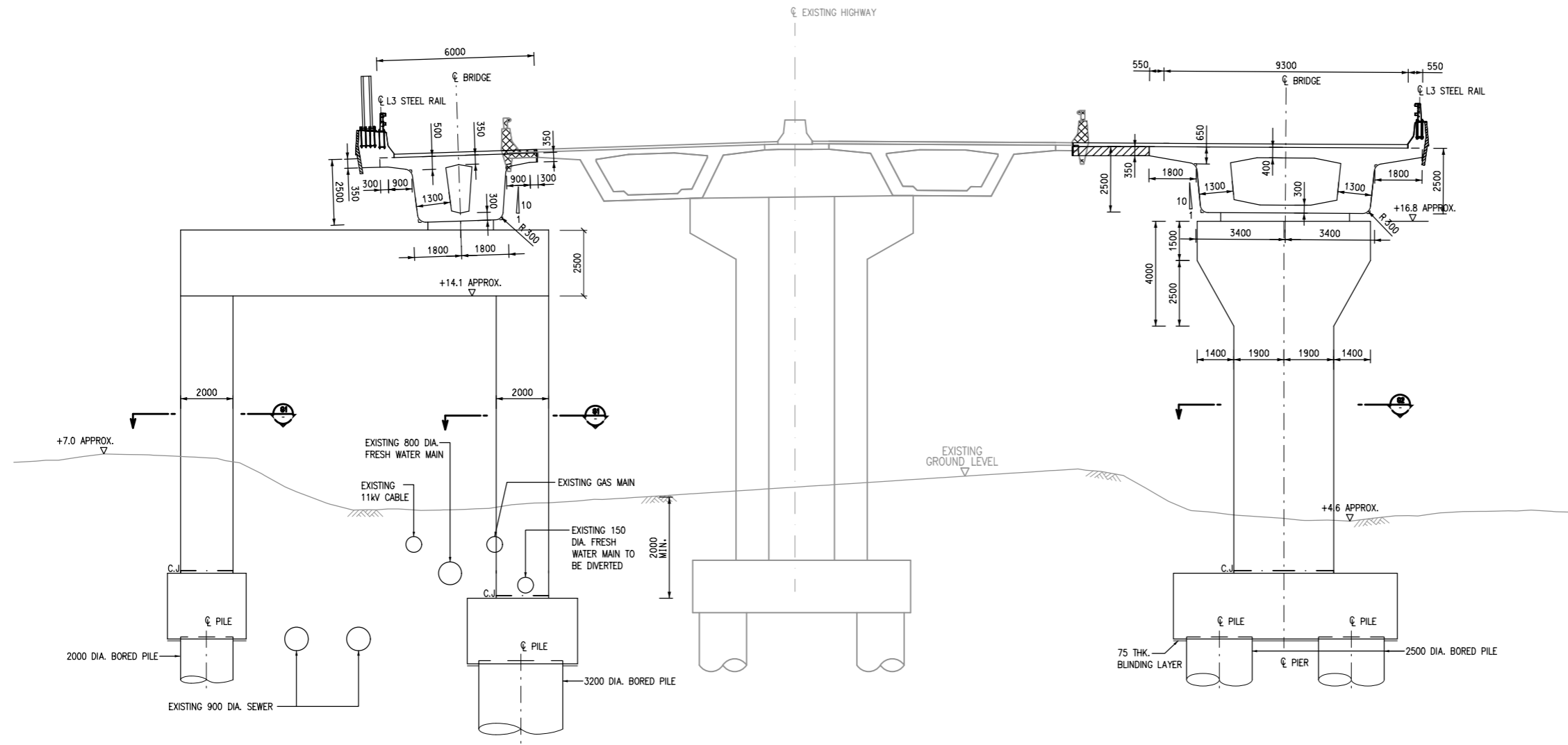
(SHEET 5)

Drawing no. <b>CE11/GN/1025</b>		Rev. -	
Drawn CADD	Date 11/21	Checked -	Approved -
Scale 1:200 (A3)		Status DRAFT	

© COPYRIGHT RESERVED



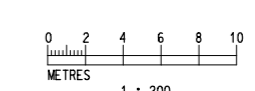
Date : 3/30/2023  
 Filename : X:\2512229A (CE11-2021-HY)\02\_Drawing\02-Figure\01+02\_LFRSR CE11\_GN\_1026.dgn



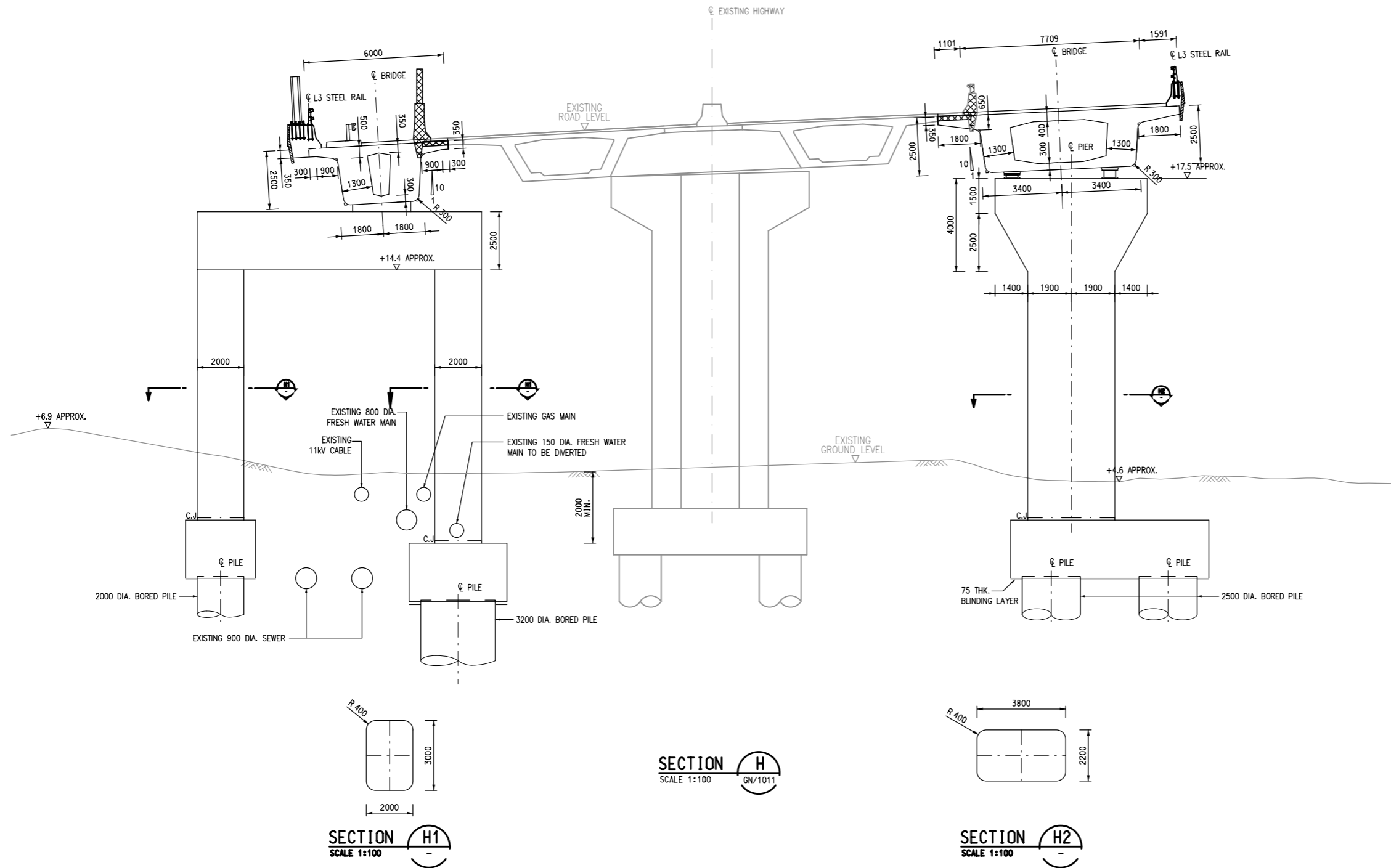
- NOTES :
- FOR NOTES AND LEGEND REFER TO DRAWING NO. CE11/GN/1021.
  - THIS DRAWING TO BE READ IN CONJUNCTION WITH DRAWING NOS. CE11/GN/1021 TO 1036.

Rev	Description	By	Date
Consultant			
Project title			
AGREEMENT NO. CE 11/2021 (HY) TRAFFIC IMPROVEMENT SCHEME IN TUEN MUN - WIDENING AND ADDITION OF SLIP ROADS AT LUNG FU ROAD/ TUEN MUN ROAD/ WONG CHU ROAD/ HOI WING ROAD - INVESTIGATION, DESIGN AND CONSTRUCTION			
Drawing title			
LFRSR SECTIONS			
(SHEET 6)			
Drawing no. CE11/GN/1026		Rev. -	
Drawn CADD	Date 11/21	Checked -	Approved -
Scale 1:200 (A3)		Status DRAFT	

© COPYRIGHT RESERVED




Date : 3/30/2023  
 Filename : X:\2512229A (CE11-2021-HY)\02\_Drawing\02\_Figure\01+02\_LFRSR CE11\_GN\_1027.dgn



- NOTES :
- FOR NOTES AND LEGEND REFER TO DRAWING NO. CE11/GN/1021.
  - THIS DRAWING TO BE READ IN CONJUNCTION WITH DRAWING NOS. CE11/GN/1021 TO 1036.

Rev	Description	By	Date

Consultant




Project title  
 AGREEMENT NO. CE 11/2021 (HY)  
 TRAFFIC IMPROVEMENT SCHEME IN TUEN MUN  
 - WIDENING AND ADDITION OF SLIP ROADS  
 AT LUNG FU ROAD/ TUEN MUN ROAD/  
 WONG CHU ROAD/ HOI WING ROAD -  
 INVESTIGATION, DESIGN AND CONSTRUCTION

Drawing title  
**LFRSR  
 SECTIONS**

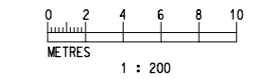
(SHEET 7)

Drawing no. <b>CE11/GN/1027</b>		Rev. -	
Drawn CADD	Date 11/21	Checked -	Approved -
Scale 1:200 (A3)		Status DRAFT	

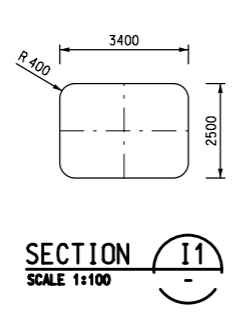
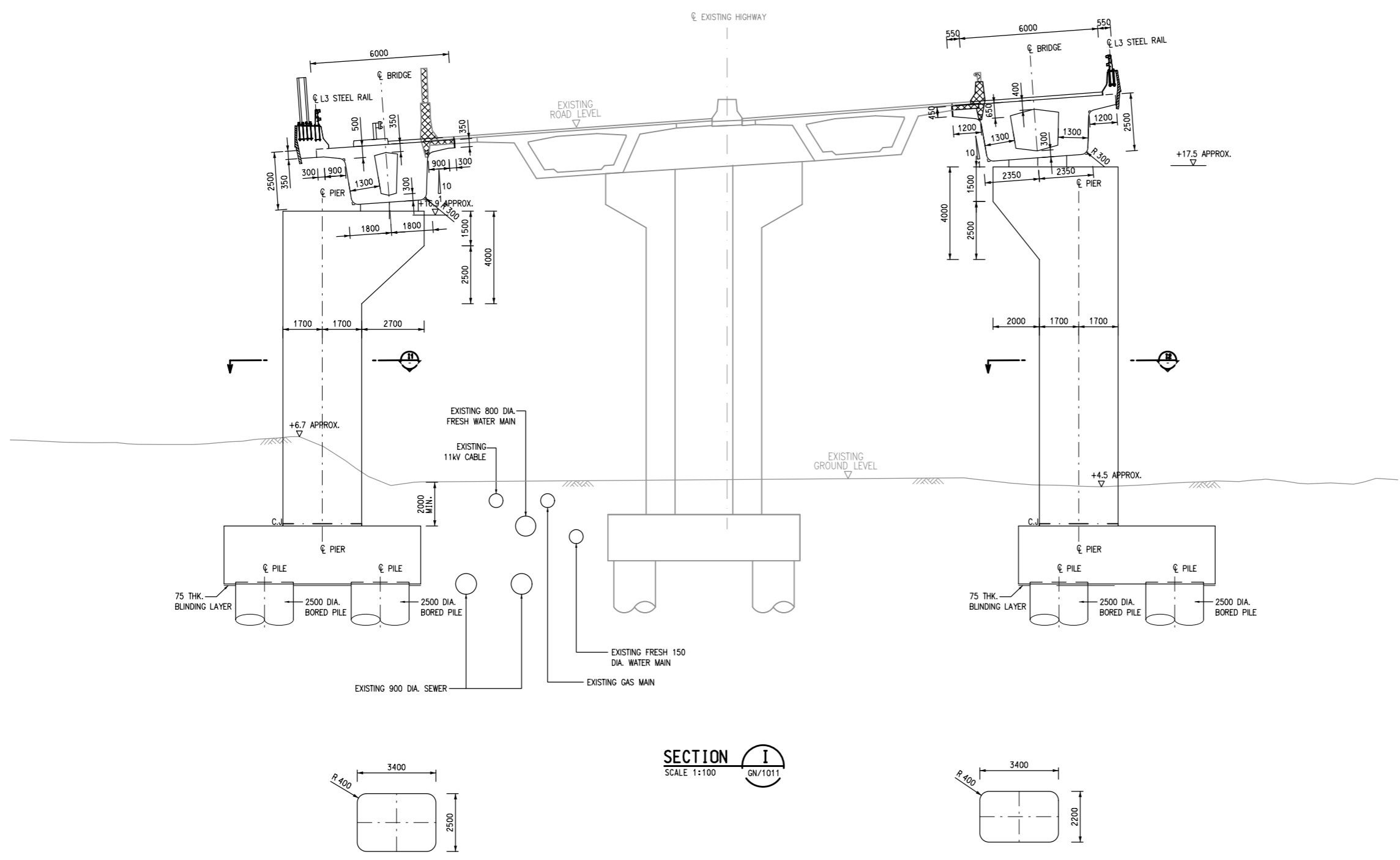
© COPYRIGHT RESERVED



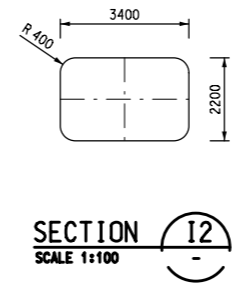
路政署  
**HIGHWAYS DEPARTMENT**  
 主要工程管理處  
 MAJOR WORKS PROJECT MANAGEMENT  
 OFFICE



Date : 3/21/2023  
 Filename : X:\2512229A (CE11-2021-HY)\02\_Drawing\02-Figure\01+02\_LFRSR CE11\_GN\_1028.dgn



SECTION I  
 SCALE 1:100 GN/1011




SECTION I2  
 SCALE 1:100

- NOTES :
- FOR NOTES AND LEGEND REFER TO DRAWING NO. CE11/GN/1021.
  - THIS DRAWING TO BE READ IN CONJUNCTION WITH DRAWING NOS. CE11/GN/1021 TO 1036.

Rev	Description	By	Date

Consultant



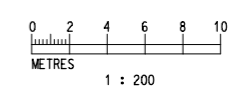
Project title  
 AGREEMENT NO. CE 11/2021 (HY)  
 TRAFFIC IMPROVEMENT SCHEME IN TUEN MUN  
 - WIDENING AND ADDITION OF SLIP ROADS  
 AT LUNG FU ROAD/ TUEN MUN ROAD/  
 WONG CHU ROAD/ HOI WING ROAD -  
 INVESTIGATION, DESIGN AND CONSTRUCTION

Drawing title  
 LFRSR  
 SECTIONS

(SHEET 8)

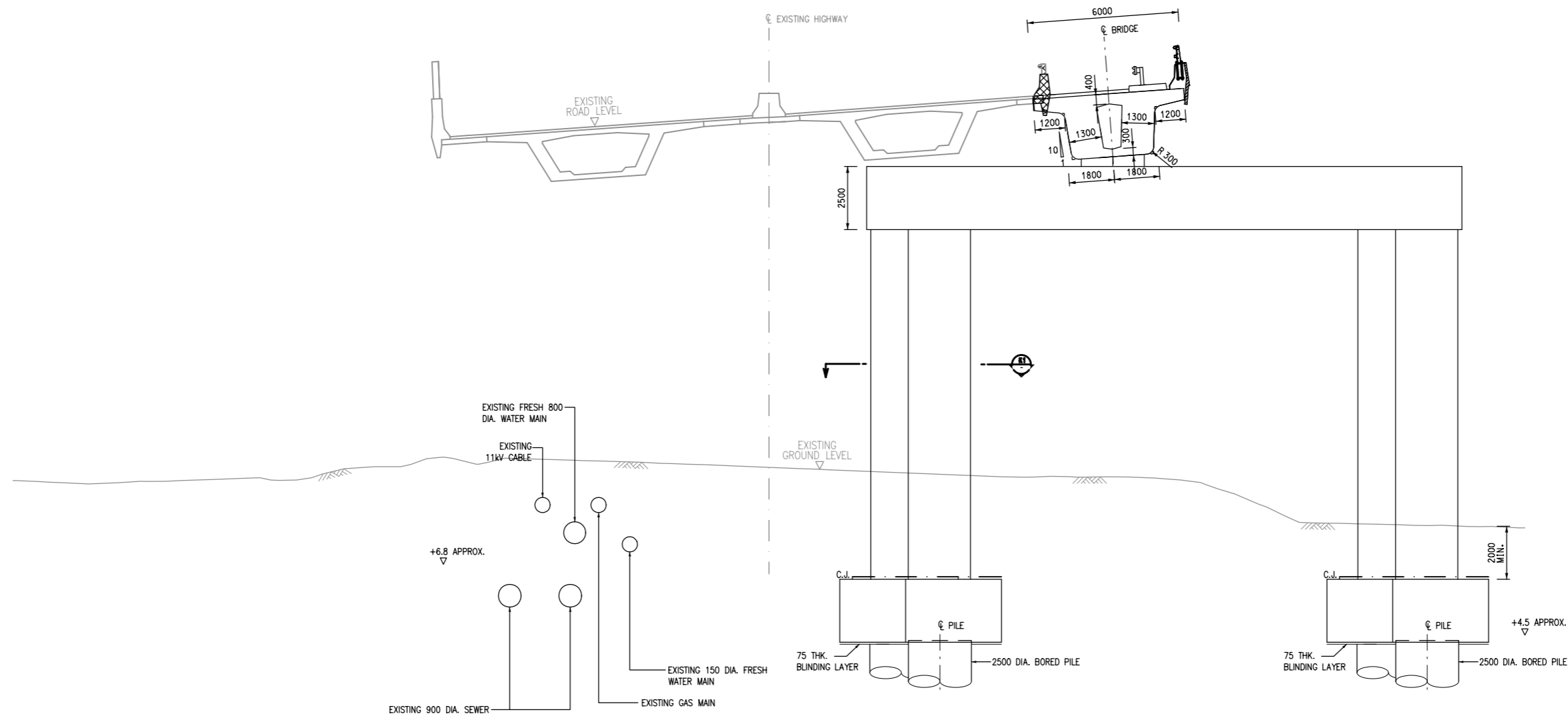
Drawn	Date	Checked	Approved
CADD	11/21	-	-
Scale	1:200 (A3)		Status
		DRAFT	

© COPYRIGHT RESERVED

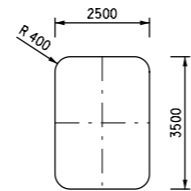




Date : 3/21/2023  
 Filename : X:\2512229A (CE11-2021-HY)\02\_Drawing\02\_Figure\01+02\_LFRSR\CE11\_GN\_1030.dgn



SECTION K  
 SCALE 1:100  
 GN/1011




SECTION K1  
 SCALE 1:100

NOTES :

- FOR NOTES AND LEGEND REFER TO DRAWING NO. CE11/GN/1021.
- THIS DRAWING TO BE READ IN CONJUNCTION WITH DRAWING NOS. CE11/GN/1021 TO 1036.

Rev	Description	By	Date

Consultant



Project title  
 AGREEMENT NO. CE 11/2021 (HY)  
 TRAFFIC IMPROVEMENT SCHEME IN TUEN MUN  
 - WIDENING AND ADDITION OF SLIP ROADS  
 AT LUNG FU ROAD/ TUEN MUN ROAD/  
 WONG CHU ROAD/ HOI WING ROAD -  
 INVESTIGATION, DESIGN AND CONSTRUCTION

Drawing title  
 LFRSR  
 SECTIONS

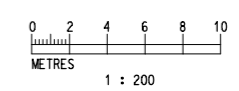
(SHEET 10)

Drawn	Date	Checked	Approved
CADD	11/21	-	-
Scale	1:200 (A3)		Status
		DRAFT	

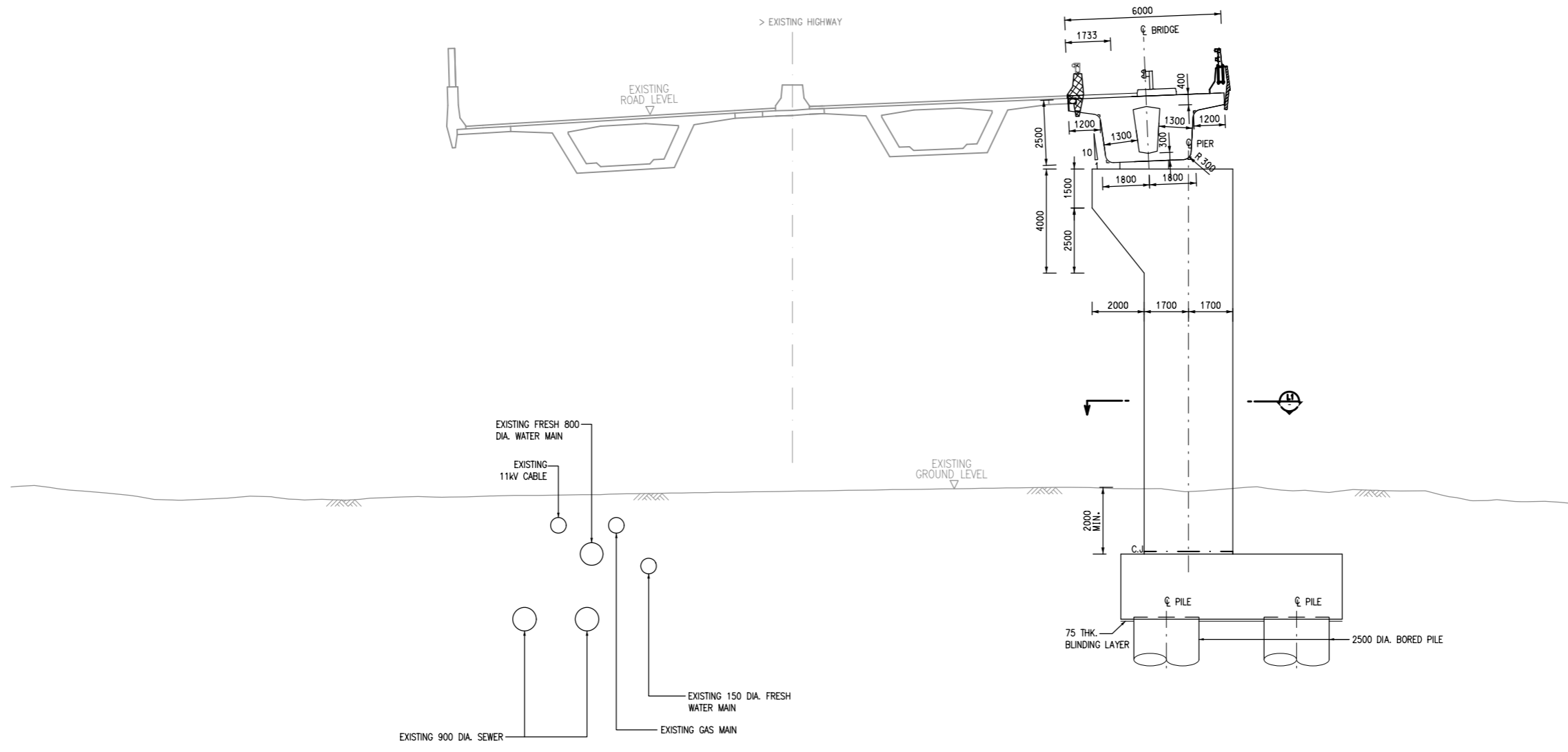
© COPYRIGHT RESERVED



路政署  
 HIGHWAYS DEPARTMENT  
 主要工程管理處  
 MAJOR WORKS PROJECT MANAGEMENT  
 OFFICE

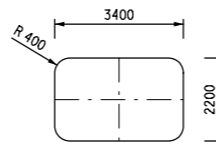


Date : 3/21/2023  
 Filename : X:\2512229A (CE11-2021-HY)\02\_Drawing\02\_Figure\01+02\_LFRSR\CE11\_GN\_1031.dgn



EXISTING FRESH 800 DIA. WATER MAIN  
 EXISTING 11kV CABLE  
 EXISTING 900 DIA. SEWER  
 EXISTING 150 DIA. FRESH WATER MAIN  
 EXISTING GAS MAIN

SECTION L  
 SCALE 1:100 GN/1011



SECTION L1  
 SCALE 1:100

NOTES :

- FOR NOTES AND LEGEND REFER TO DRAWING NO. CE11/GN/1021.
- THIS DRAWING TO BE READ IN CONJUNCTION WITH DRAWING NOS. CE11/GN/1021 TO 1036.

Rev	Description	By	Date



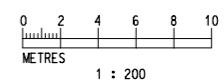
Project title  
 AGREEMENT NO. CE 11/2021 (HY)  
 TRAFFIC IMPROVEMENT SCHEME IN TUEN MUN  
 - WIDENING AND ADDITION OF SLIP ROADS  
 AT LUNG FU ROAD/ TUEN MUN ROAD/  
 WONG CHU ROAD/ HOI WING ROAD -  
 INVESTIGATION, DESIGN AND CONSTRUCTION

Drawing title  
**LFRSR SECTIONS**

(SHEET 11)

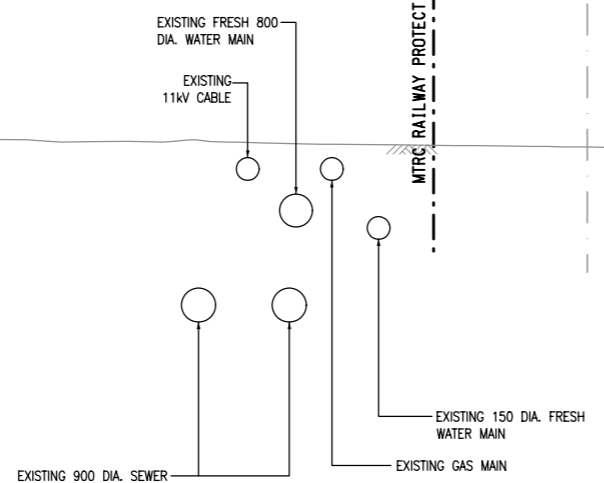
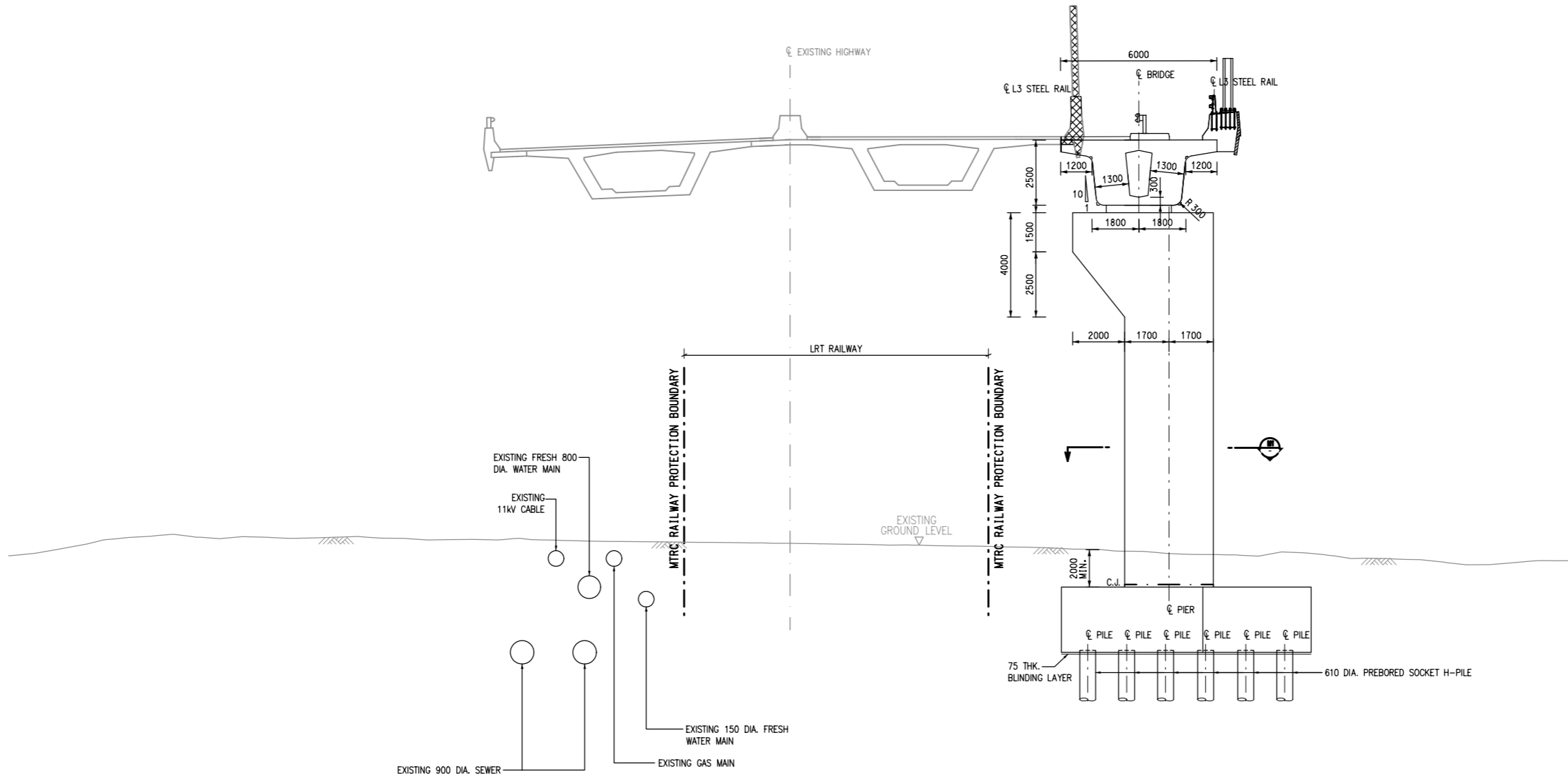
Drawing no. <b>CE11/GN/1031</b>		Rev. -	
Drawn CADD	Date 11/21	Checked -	Approved -
Scale 1:200 (A3)		Status <b>DRAFT</b>	

© COPYRIGHT RESERVED

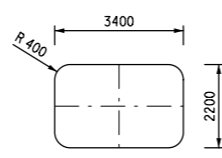




Date : 3/21/2023  
 Filename : X:\2512229A (CE11-2021-HY)\02\_Drawing\02\_Figure\01+02\_LFRSR\CE11\_GN\_1032.dgn



SECTION M  
 SCALE 1:100  
 GN/1011




SECTION M1  
 SCALE 1:100

- NOTES :
- FOR NOTES AND LEGEND REFER TO DRAWING NO. CE11/GN/1021.
  - THIS DRAWING TO BE READ IN CONJUNCTION WITH DRAWING NOS. CE11/GN/1021 TO 1036.

Rev	Description	By	Date

Consultant



Project title  
 AGREEMENT NO. CE 11/2021 (HY)  
 TRAFFIC IMPROVEMENT SCHEME IN TUEN MUN  
 - WIDENING AND ADDITION OF SLIP ROADS  
 AT LUNG FU ROAD/ TUEN MUN ROAD/  
 WONG CHU ROAD/ HOI WING ROAD -  
 INVESTIGATION, DESIGN AND CONSTRUCTION

Drawing title  
 LFRSR  
 SECTIONS

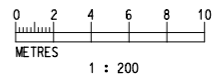
(SHEET 12)

Drawn	Date	Checked	Approved
CADD	11/21	-	-
Scale	1:200 (A3)		Status
		DRAFT	

© COPYRIGHT RESERVED

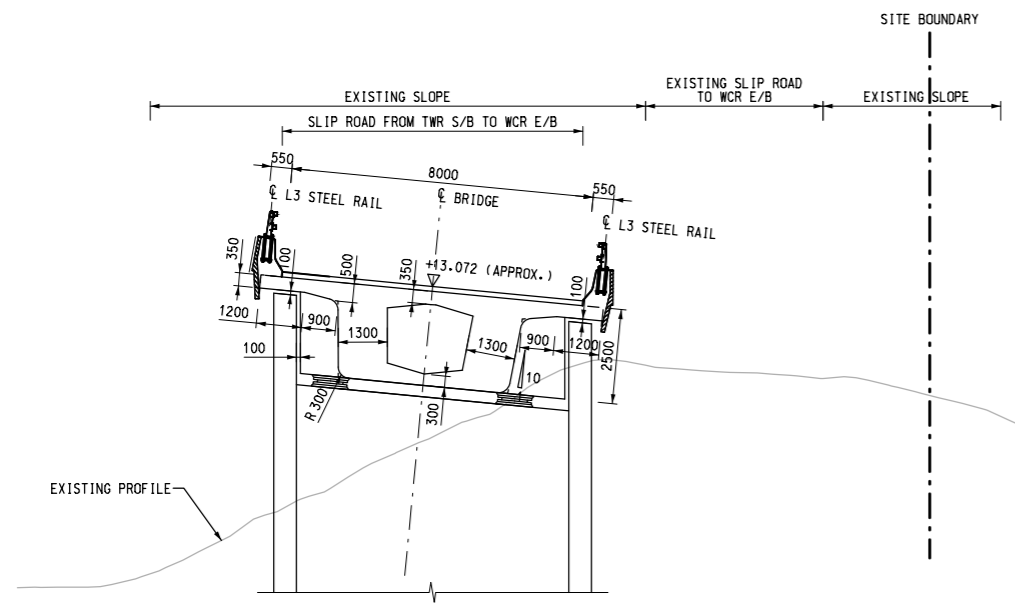


路政署  
 HIGHWAYS DEPARTMENT  
 主要工程管理处  
 MAJOR WORKS PROJECT MANAGEMENT  
 OFFICE

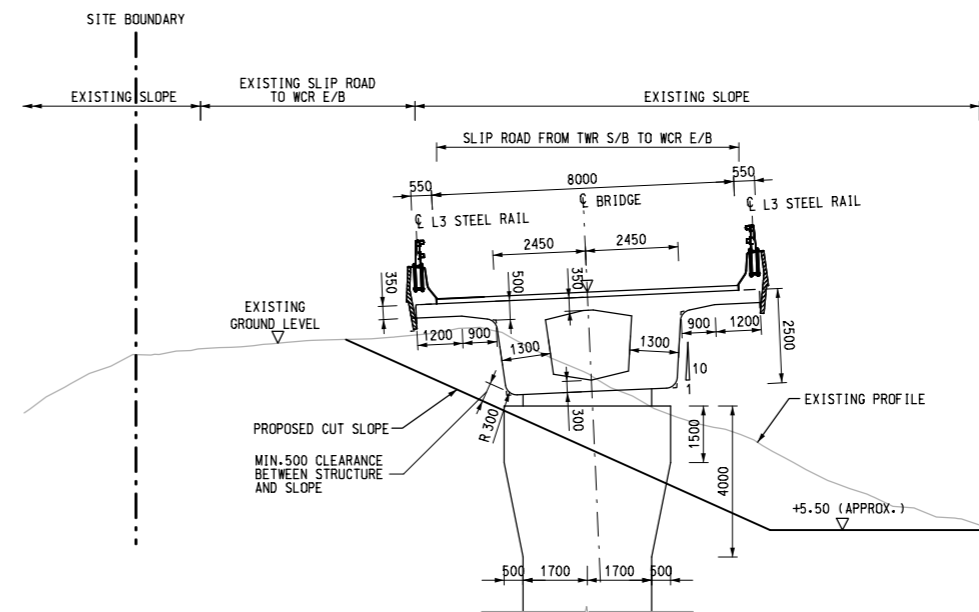


**NOTES :**

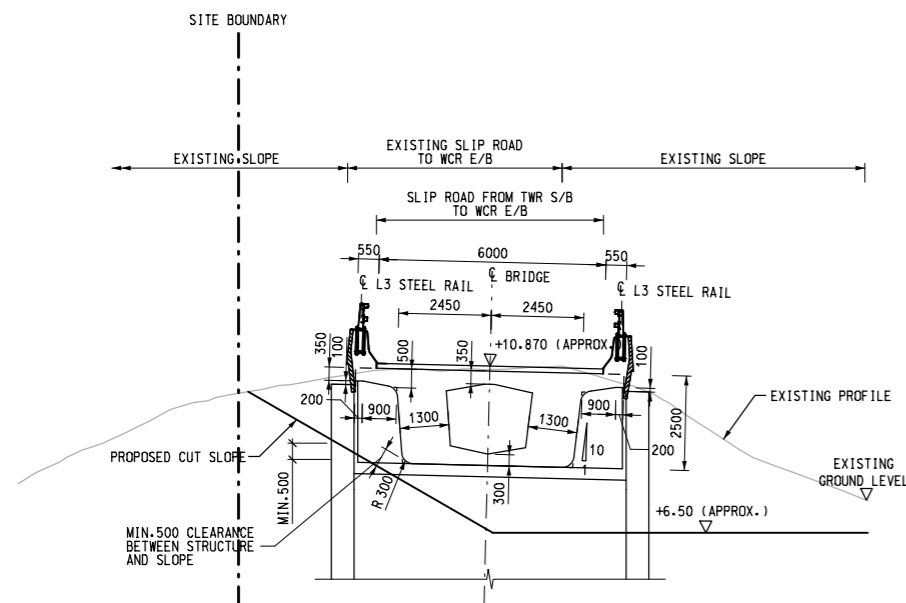
- FOR NOTES AND LEGEND REFER TO DRAWING NO. CE11/GN/1021.
- THIS DRAWING TO BE READ IN CONJUNCTION WITH DRAWING NOS. CE11/GN/1021 TO 1036.



**SECTION N**  
SCALE 1:100  
GN/1012



**SECTION O**  
SCALE 1:100  
GN/1012



**SECTION P**  
SCALE 1:100  
GN/1012

Rev	Description	By	Date

Consultant

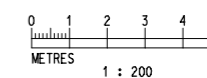
**wsp**

Project title  
 AGREEMENT NO. CE 11/2021 (HY)  
 TRAFFIC IMPROVEMENT SCHEME IN TUEN MUN  
 - WIDENING AND ADDITION OF SLIP ROADS  
 AT LUNG FU ROAD/ TUEN MUN ROAD/  
 WONG CHU ROAD/ HOI WING ROAD -  
 INVESTIGATION, DESIGN AND CONSTRUCTION

Drawing title  
**LFRSR  
 SECTIONS**

(SHEET 13)

Drawing no. <b>CE11/GN/1033</b>		Rev. -	
Drawn CADD	Date 10/21	Checked -	Approved -
Scale 1:200 (A3)		Status DRAFT	



© COPYRIGHT RESERVED

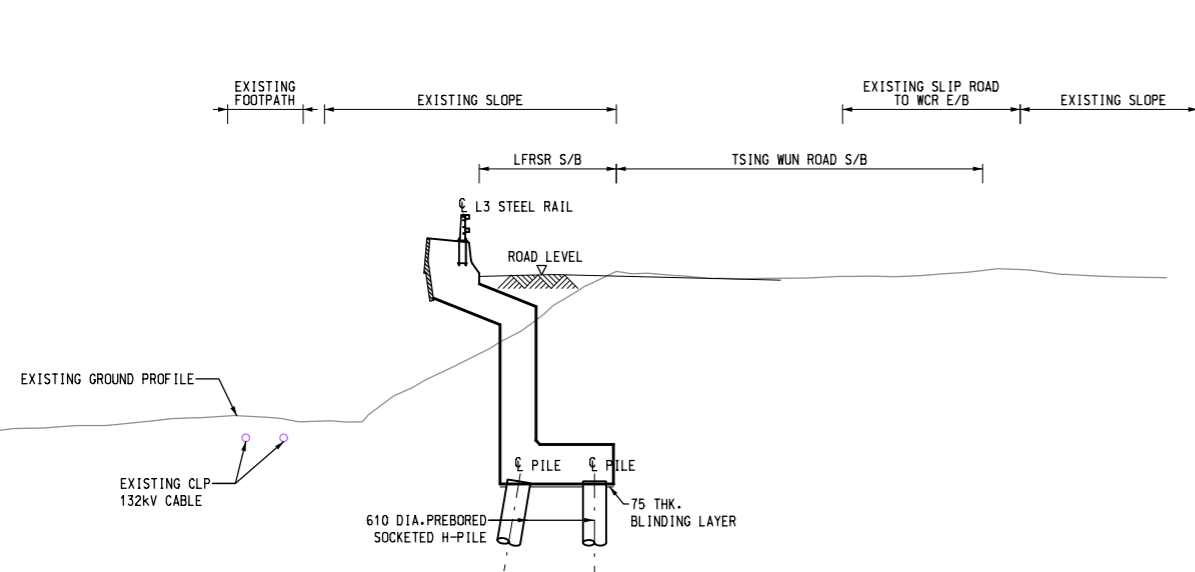
**路政署  
 HIGHWAYS DEPARTMENT**

**主要工程管理處  
 MAJOR WORKS PROJECT MANAGEMENT  
 OFFICE**

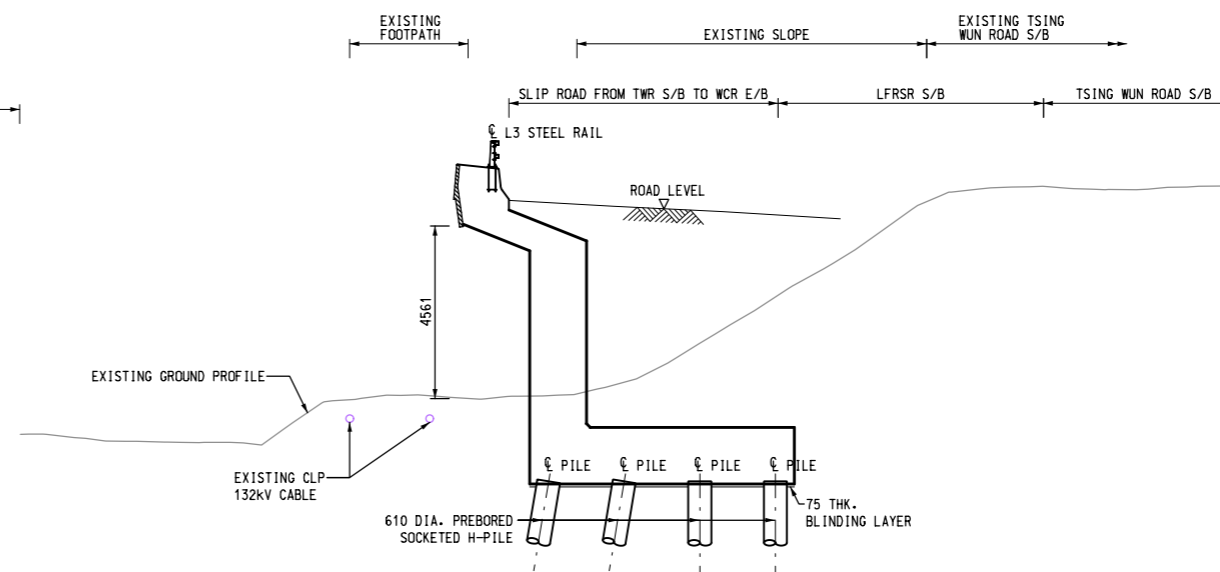
Date : 3/21/2023  
 Filename : X:\2512229A (CE11-2021-HY)\02\_Drawing\02\_Figure\01+02\_LFRSR\CE11\_GN\_1033.dgn

**NOTES :**

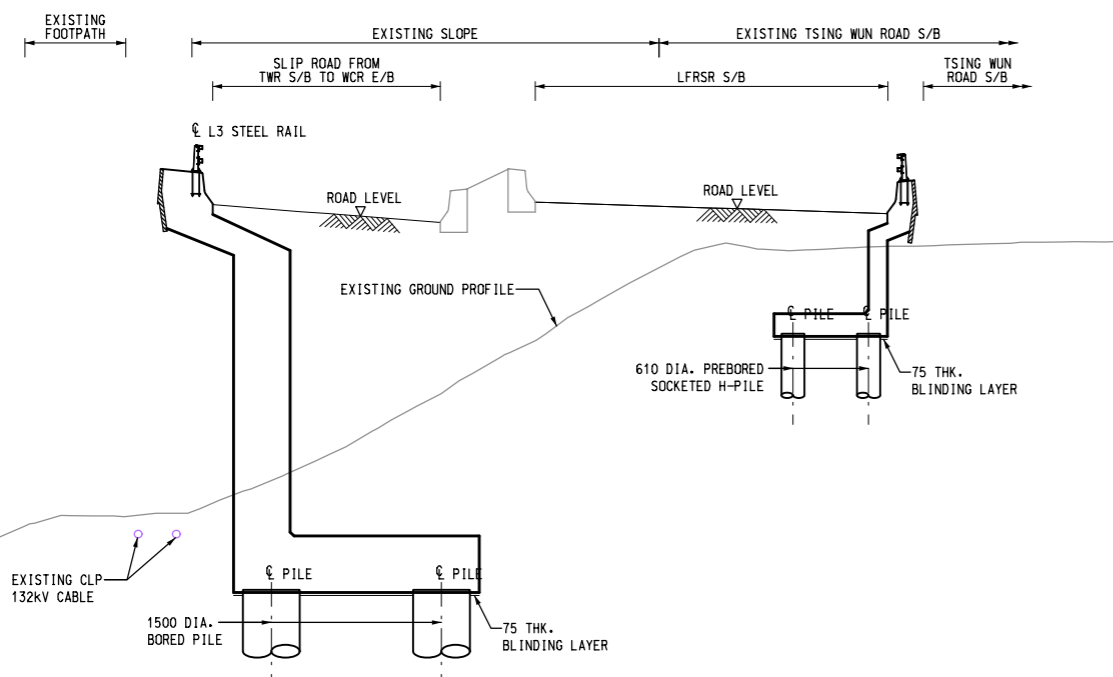
- FOR NOTES AND LEGEND REFER TO DRAWING NO. CE11/GN/1021.
- THIS DRAWING TO BE READ IN CONJUNCTION WITH DRAWING NOS. CE11/GN/1021 TO 1036.



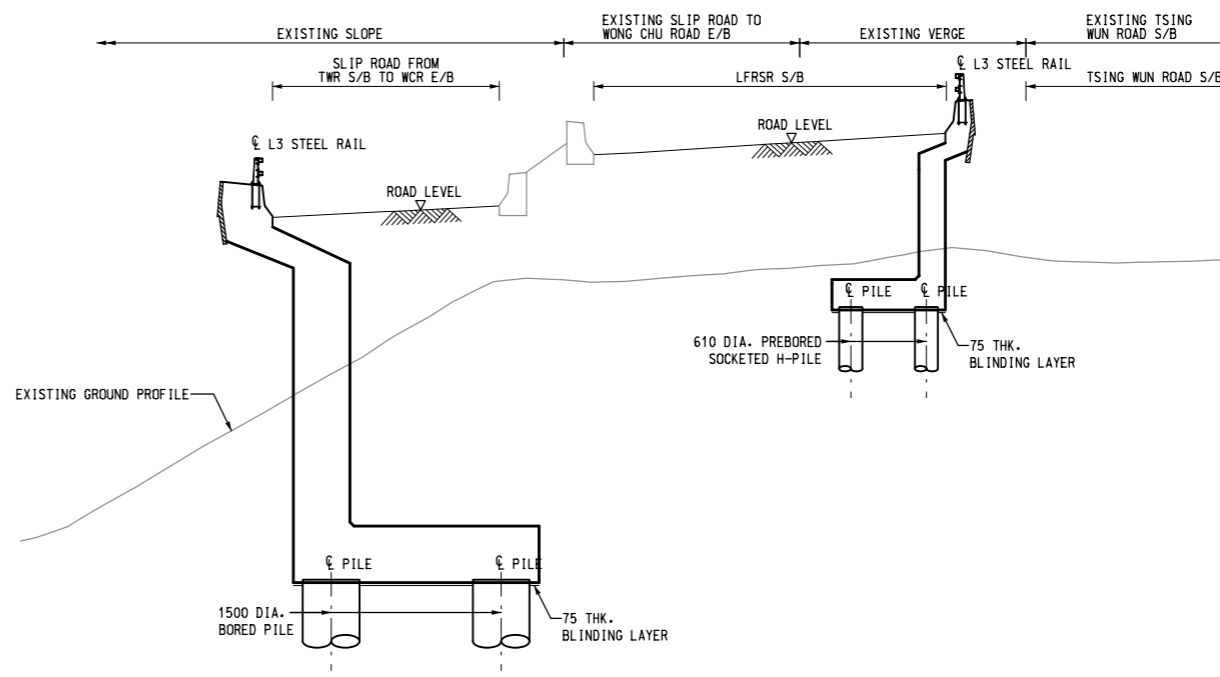
**SECTION RA**  
SCALE 1:100  
GN/1013



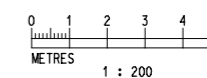
**SECTION RB**  
SCALE 1:100  
GN/1013




**SECTION RC**  
SCALE 1:100  
GN/1013



**SECTION RD**  
SCALE 1:100  
GN/1013



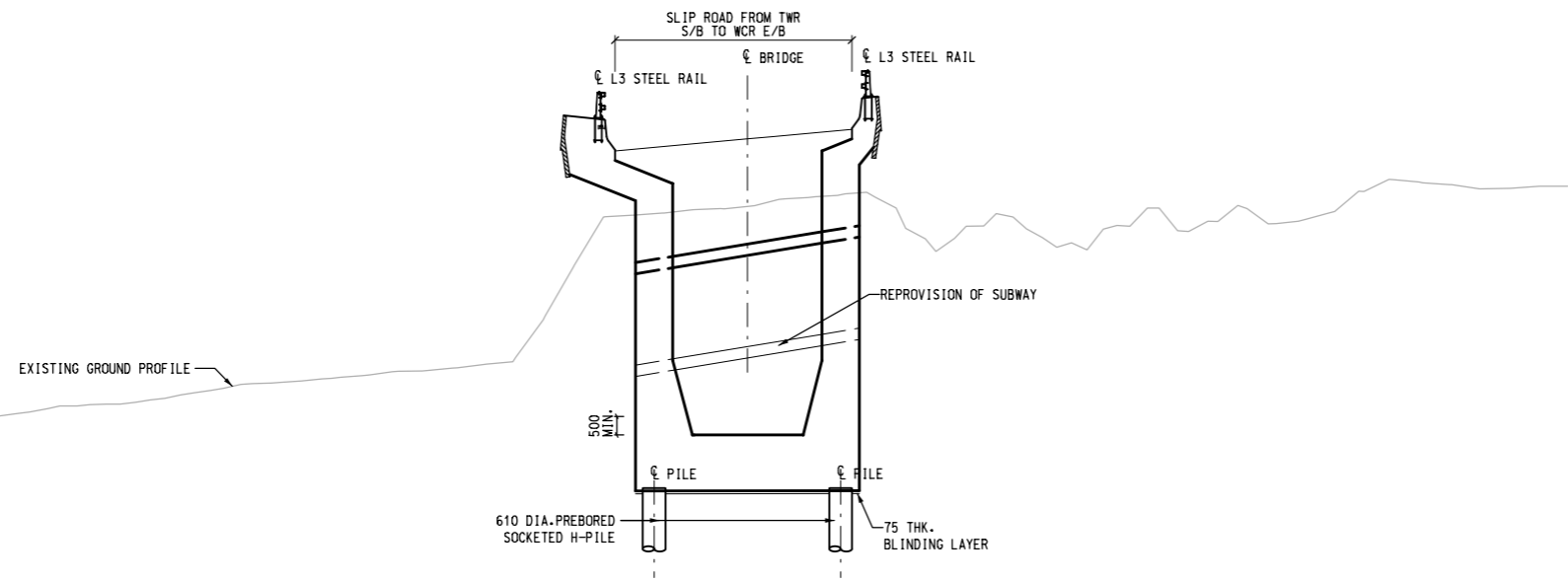
Rev	Description	By	Date
			
Consultant <b>WSP</b>			
Project title AGREEMENT NO. CE 11/2021 (HY) TRAFFIC IMPROVEMENT SCHEME IN TUEN MUN - WIDENING AND ADDITION OF SLIP ROADS AT LUNG FU ROAD/ TUEN MUN ROAD/ WONG CHU ROAD/ HOI WING ROAD - INVESTIGATION, DESIGN AND CONSTRUCTION			
Drawing title <b>LFRSR SECTIONS</b>			
(SHEET 14)			
Drawing no. <b>CE11/GN/1034</b>		Rev. -	
Drawn CADD	Date 10/21	Checked -	Approved -
Scale 1:200 (A3)		Status DRAFT	

© COPYRIGHT RESERVED

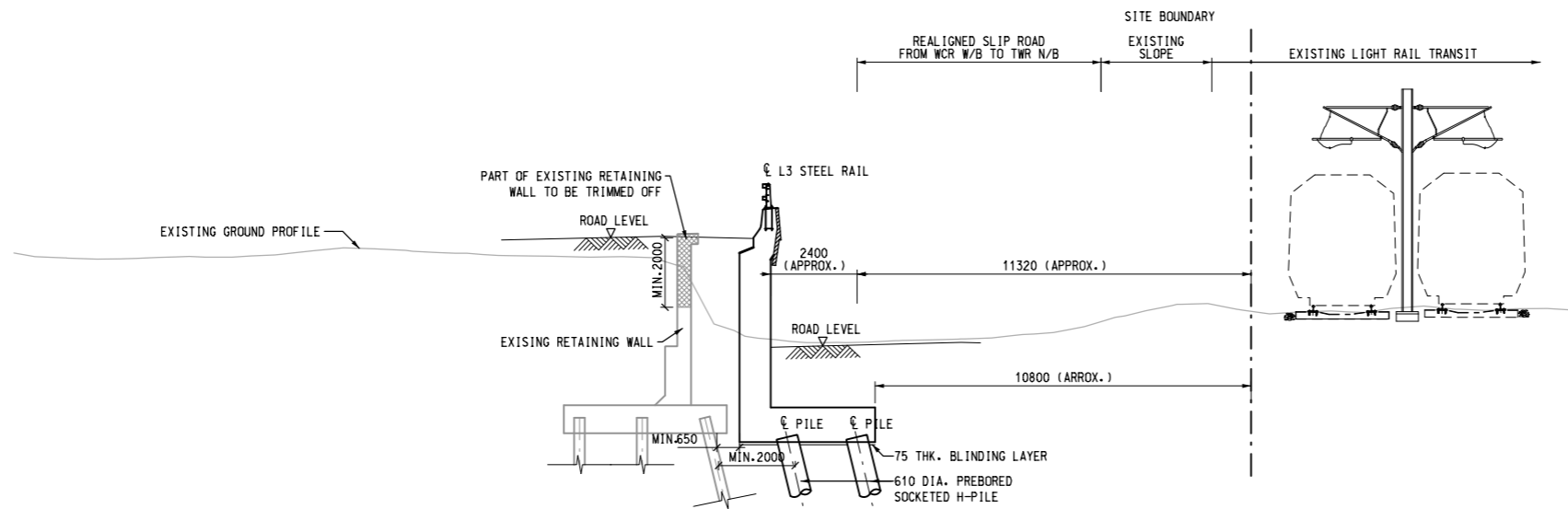


Date : 3/22/2023  
 Filename : X:\2512229A (CE11-2021-HY)\02\_Drawing\02\_Figure\01+02\_LFRSR\CE11\_GN\_1034.dgn

Date : 3/21/2023  
 Filename : X:\2512229A (CE11-2021-HY)\02\_Drawing\02\_Figure\01+02\_LFRSR\CE11\_GN\_1035.dgn



**SECTION RE**  
 SCALE 1:100 GN/1012




**SECTION RF**  
 SCALE 1:100 GN/1013

**NOTES :**

1. FOR NOTES AND LEGEND REFER TO DRAWING NO. CE11/GN/1021.
2. THIS DRAWING TO BE READ IN CONJUNCTION WITH DRAWING NOS. CE11/GN/1021 TO 1036.

Rev	Description	By	Date

Consultant



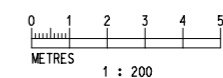
Project title  
 AGREEMENT NO. CE 11/2021 (HY)  
 TRAFFIC IMPROVEMENT SCHEME IN TUEN MUN  
 - WIDENING AND ADDITION OF SLIP ROADS  
 AT LUNG FU ROAD/ TUEN MUN ROAD/  
 WONG CHU ROAD/ HOI WING ROAD -  
 INVESTIGATION, DESIGN AND CONSTRUCTION

Drawing title  
**LFRSR  
 SECTIONS**

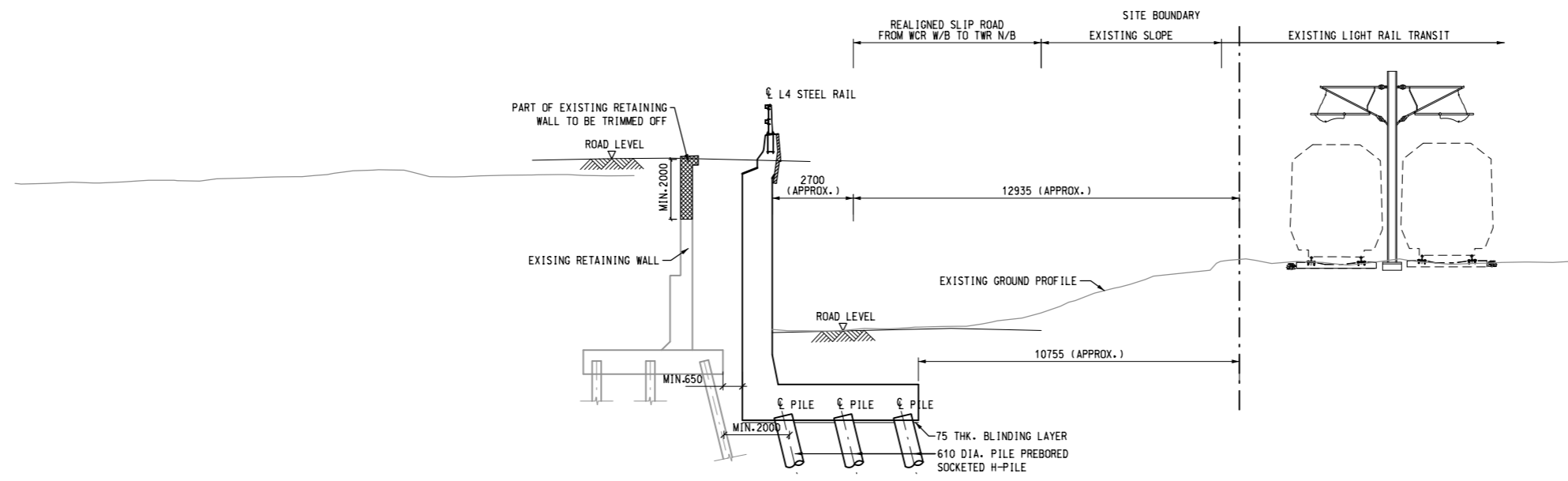
(SHEET 15)

Drawn	Date	Checked	Approved
CADD	10/21	-	-
Scale	1:200 (A3)		Status
			DRAFT

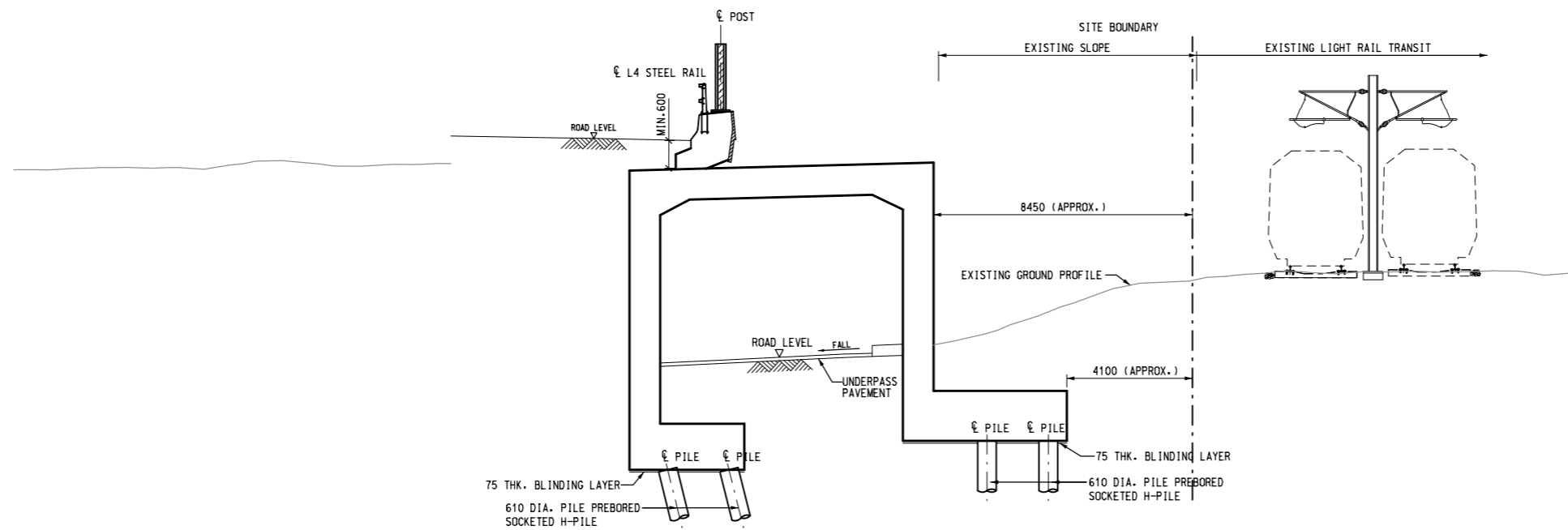
© COPYRIGHT RESERVED




路政署  
**HIGHWAYS DEPARTMENT**  
 主要工程管理處  
 MAJOR WORKS PROJECT MANAGEMENT  
 OFFICE




**SECTION RG**  
SCALE 1:100 GN/1013



**SECTION RH**  
SCALE 1:100 GN/1013

**NOTES :**

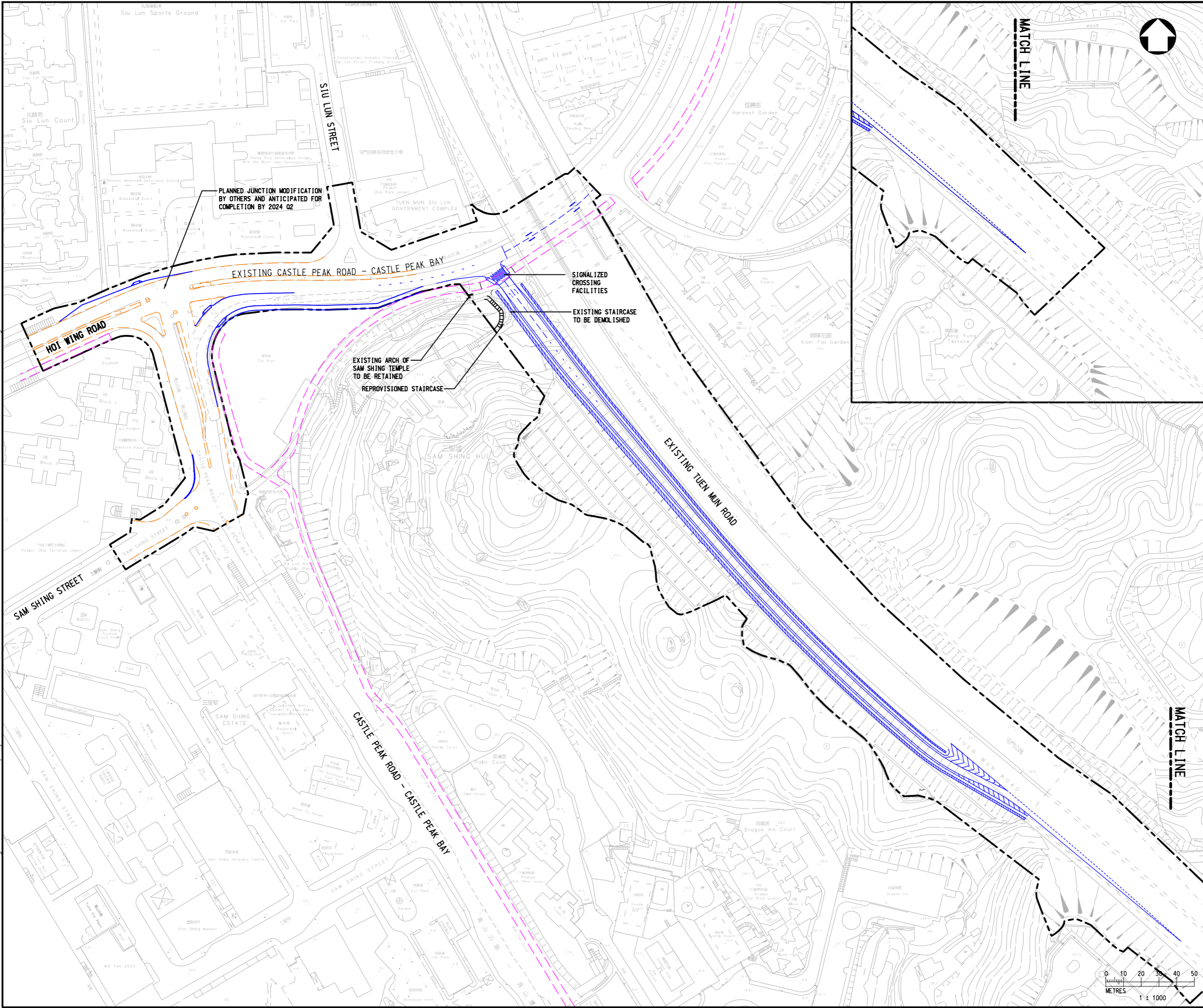
- FOR NOTES AND LEGEND REFER TO DRAWING NO. CE11/GN/1021.
- THIS DRAWING TO BE READ IN CONJUNCTION WITH DRAWING NOS. CE11/GN/1021 TO 1036.

Rev	Description	By	Date
Consultant			
			
Project title			
AGREEMENT NO. CE 11/2021 (HY) TRAFFIC IMPROVEMENT SCHEME IN TUEN MUN - WIDENING AND ADDITION OF SLIP ROADS AT LUNG FU ROAD/ TUEN MUN ROAD/ WONG CHU ROAD/ HOI WING ROAD - INVESTIGATION, DESIGN AND CONSTRUCTION			
Drawing title			
LFRSR SECTIONS			
(SHEET 16)			
Drawing no.		Rev.	
CE11/GN/1036		-	
Drawn	Date	Checked	Approved
CADD	10/21	-	-
Scale	Status		
1:200 (A3)	DRAFT		

© COPYRIGHT RESERVED



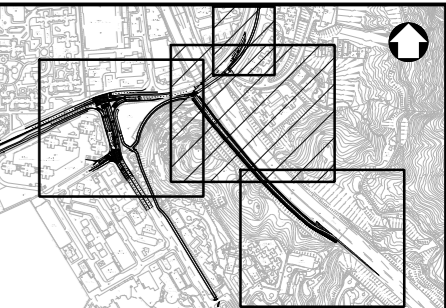
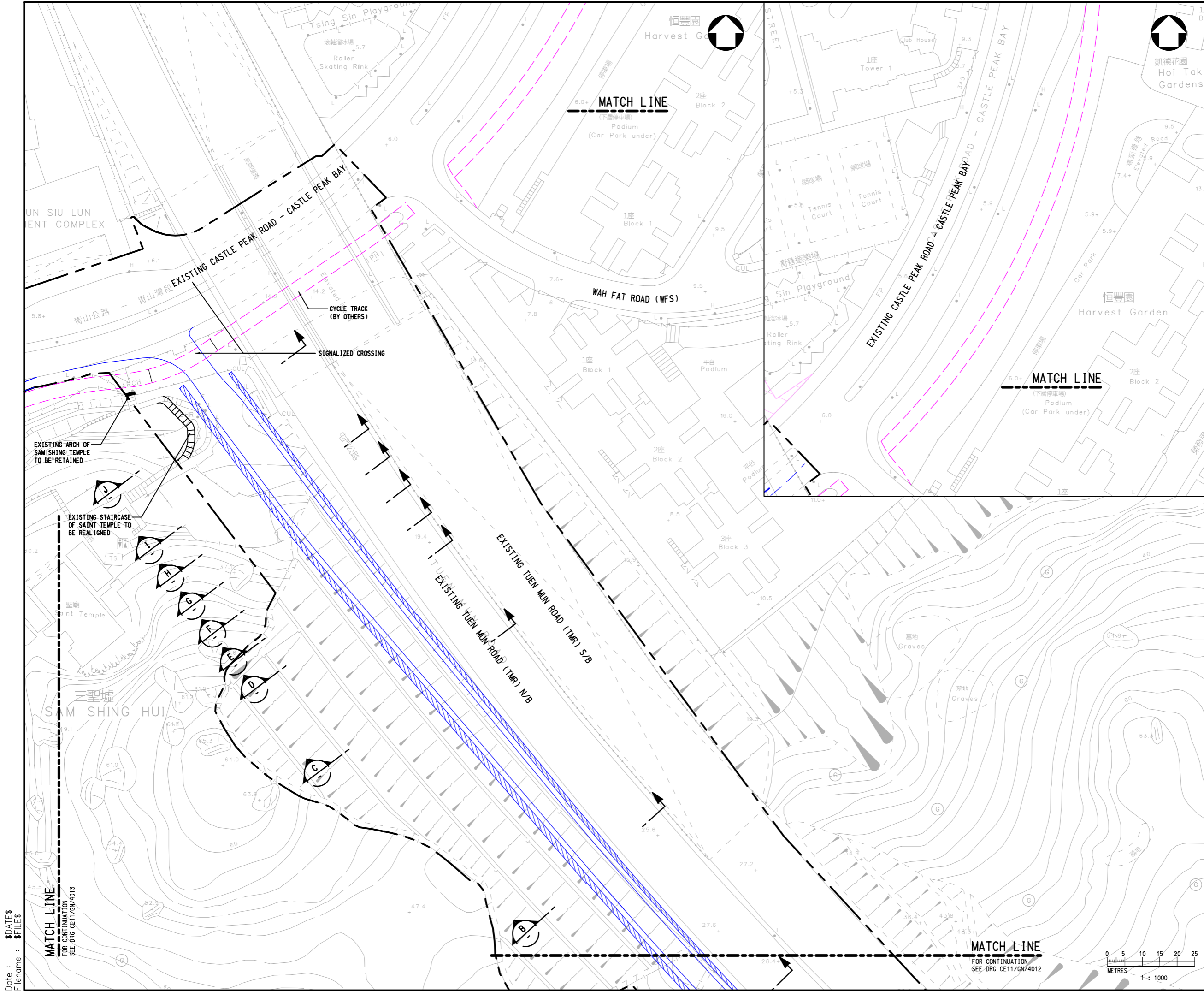
Date : 4/25/2023  
 Filename : C:\Users\Chun-Yin.Cheng\ACDDocs\WSP\_Asia\_projects\CAMER\CE11\_2021\HY\1\_WIP\1.1.2\_CAD\1.1.2.1\_SHEET\02 FIGURE\04\_HWRSR\CE11\_GN\_4010.dgn



- LEGEND :**
- SITE LIMIT
  - PROPOSED IMPROVEMENT SCHEME
  - RETAINING WALL
  - PROPOSED WORKS UNDER PWP ITEM NO. 6853TH WIDENING OF CASTLE PEAK ROAD - CASTLE PEAK BAY (BY OTHERS)
  - PROPOSED WORKS UNDER PWP ITEM NO. 726BRS CYCLE TRACK BETWEEN TSUEN WAN AND TUEN MUN (BY OTHERS)

Rev	Description	By	Date
Consultant			
Project title AGREEMENT NO. CE 11/2021 (HY) TRAFFIC IMPROVEMENT SCHEME IN TUEN MUN - WIDENING AND ADDITION OF SLIP ROADS AT LUNG FU ROAD/ TUEN MUN ROAD/ WONG CHU ROAD/ HOI WING ROAD - INVESTIGATION, DESIGN AND CONSTRUCTION			
Drawing title <b>HOI WING ROAD SLIP ROAD            OVERALL PLAN</b>			
Drawing no. <b>CE11/GN/4010</b>		Rev. -	
Drawn CADD	Date 09/21	Checked -	Approved -
Scale -		Status <b>DRAFT</b>	
© COPYRIGHT RESERVED			
<b>路政署 HIGHWAYS DEPARTMENT</b> <b>主要工程管理處 MAJOR WORKS PROJECT MANAGEMENT OFFICE</b>			





- NOTES :**
1. THIS DRAWING TO BE READ IN CONJUNCTION WITH DRAWING NOS. CE11/GN/4011 TO 4013.
  2. ALL LEVELS ARE IN METERS ABOVE HONG KONG PRINCIPAL DATUM (mPD).
  3. ALL COORDINATES ARE IN ACCORDANCE WITH HONG KONG 1980 GEODETIC DATUM.

- LEGEND :**
- SITE LIMIT
  - PROPOSED IMPROVEMENT SCHEME
  - ▨ RETAINING WALL
  - PROPOSED WORKS UNDER PWP ITEM NO. 6853TH WIDENING OF CASTLE PEAK ROAD - CASTLE PEAK BAY (BY OTHERS)
  - PROPOSED WORKS UNDER PWP ITEM NO. 7268RS CYCLE TRACK BETWEEN TSUEN WAN AND TUEN MUN (BY OTHERS)

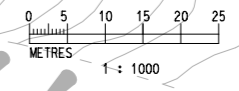
Rev	Description	By	Date
Consultant			
Project title			
AGREEMENT NO. CE 11/2021 (HY) TRAFFIC IMPROVEMENT SCHEME IN TUEN MUN - WIDENING AND ADDITION OF SLIP ROADS AT LUNG FU ROAD/ TUEN MUN ROAD/ WONG CHU ROAD/ HOI WING ROAD - INVESTIGATION, DESIGN AND CONSTRUCTION			
Drawing title			
HOI WING ROAD SLIP ROAD GENERAL LAYOUT PLAN			
(SHEET 1 OF 3)			
Drawing no.		Rev.	
CE11/GN/4011		-	
Drawn	Date	Checked	Approved
CADD	09/21	-	-
Scale	Status		
-	DRAFT		

© COPYRIGHT RESERVED

路政署  
HIGHWAYS DEPARTMENT  
主要工程管理處  
MAJOR WORKS PROJECT MANAGEMENT  
OFFICE

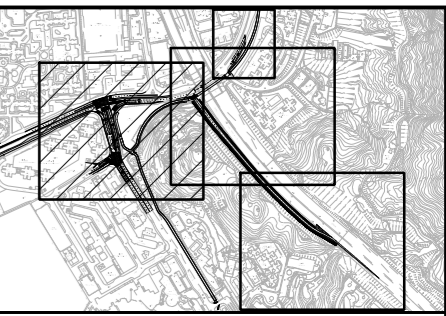
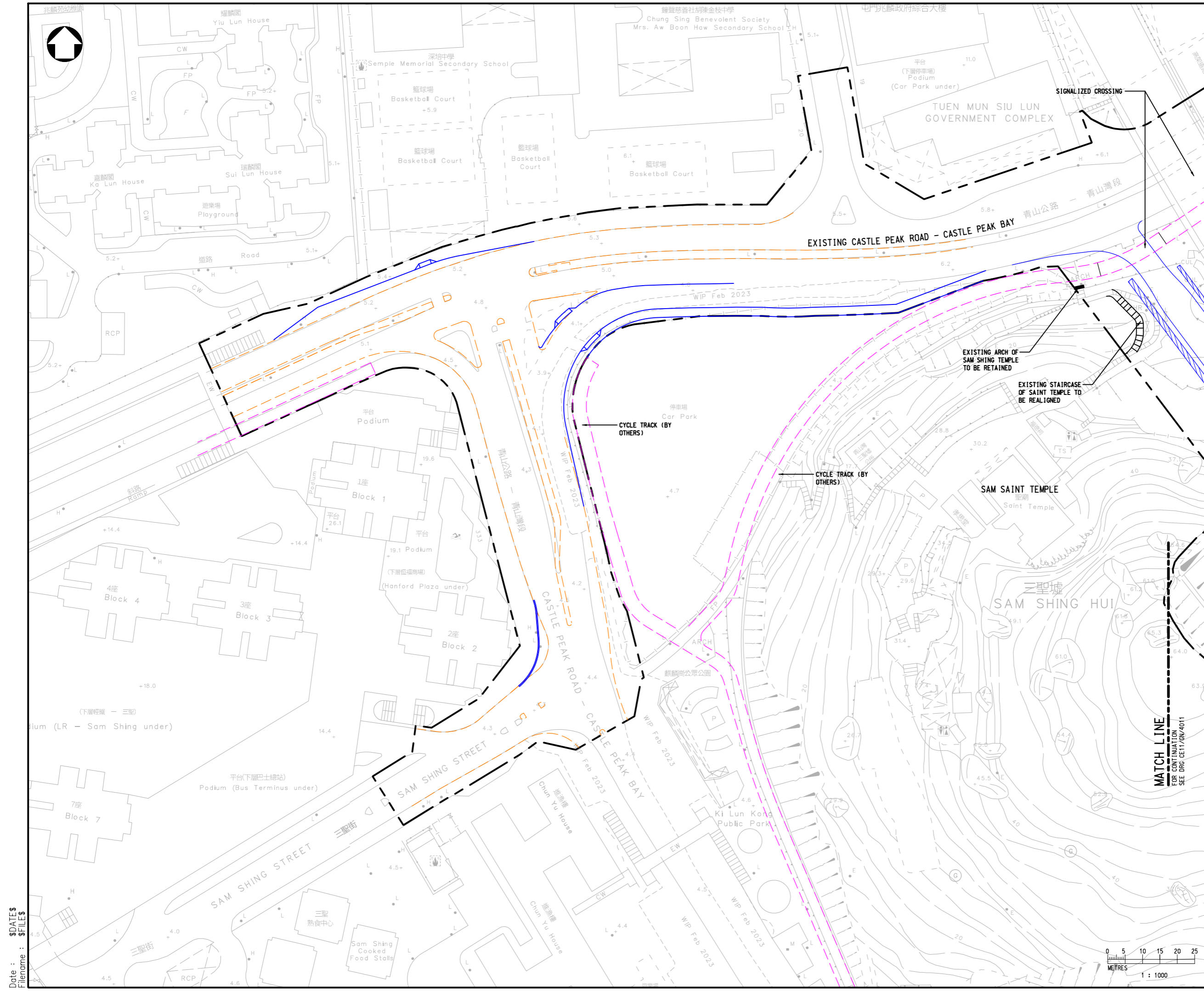
Date : \$DATE\$  
Filename : \$FILE\$  
MATCH LINE  
FOR CONTINUATION  
SEE DRG CE11/GN/4013

MATCH LINE  
FOR CONTINUATION  
SEE DRG CE11/GN/4012









**KEY PLAN**

**NOTES :**

- FOR NOTES AND LEGEND REFER TO DRAWING NO. CE11/GN/4011.
- THIS DRAWING TO BE READ IN CONJUNCTION WITH DRAWING NOS. CE11/GN/4011 TO 4013.

Rev	Description	By	Date



Project title  
 AGREEMENT NO. CE 11/2021 (HY)  
 TRAFFIC IMPROVEMENT SCHEME IN TUEN MUN  
 - WIDENING AND ADDITION OF SLIP ROADS  
 AT LUNG FU ROAD/ TUEN MUN ROAD/  
 WONG CHU ROAD/ HOI WING ROAD -  
 INVESTIGATION, DESIGN AND CONSTRUCTION

Drawing title  
**HOI WING ROAD SLIP ROAD  
 GENERAL LAYOUT PLAN**

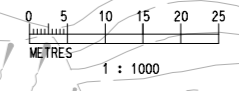
(SHEET 3 OF 3)

Drawing no. <b>CE11/GN/4013</b>		Rev. -	
Drawn CADD	Date 09/21	Checked -	Approved -
Scale -		Status <b>DRAFT</b>	

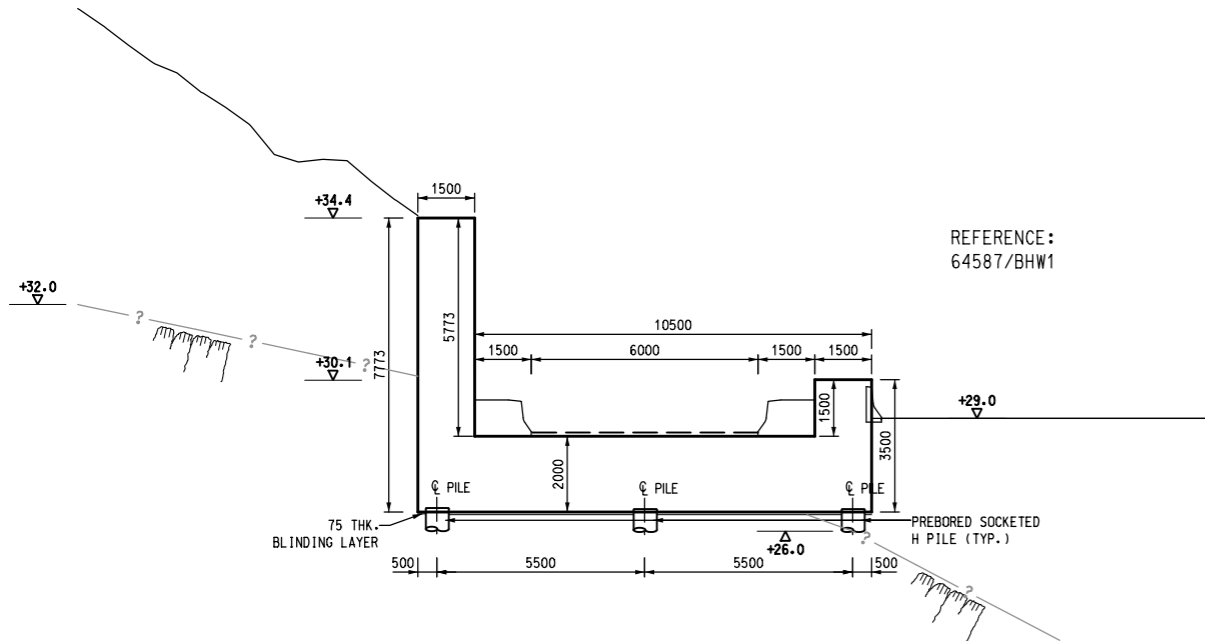
© COPYRIGHT RESERVED

路政署  
**HIGHWAYS DEPARTMENT**  
 主要工程管理處  
**MAJOR WORKS PROJECT MANAGEMENT  
 OFFICE**

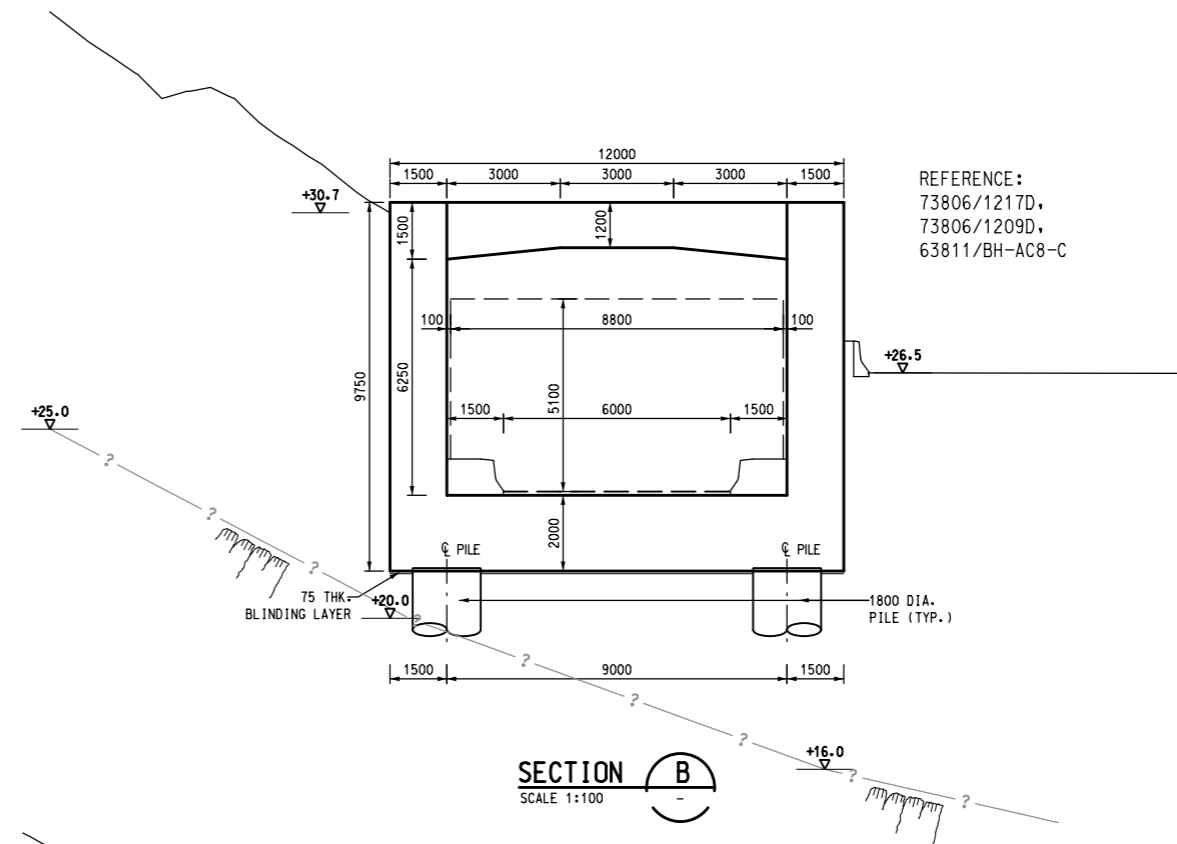
Date : \$DATE\$  
 Filename : \$FILE\$



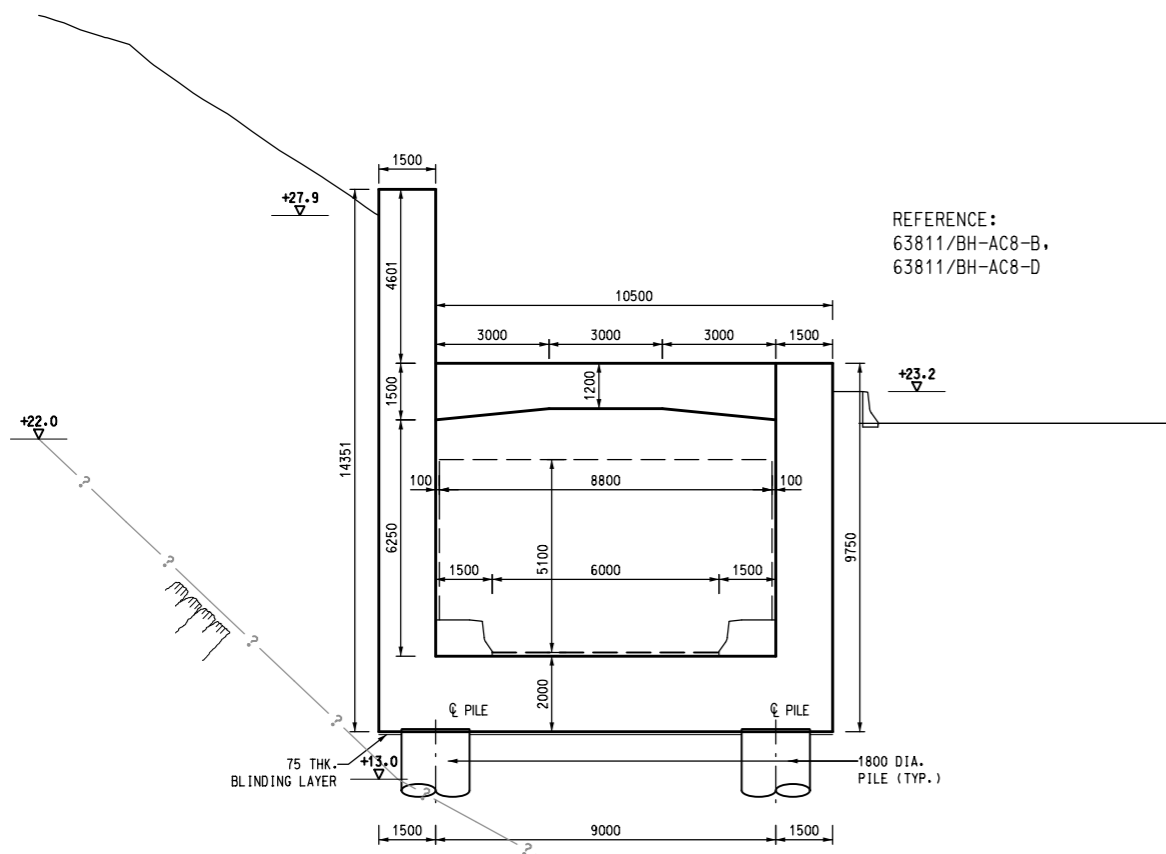
Date : 3/22/2023  
 Filename : X:\2512229A (CE11-2021-HY)\02\_Drawing\02-Figure\04\_HWRSR\CE11\_GN\_4021.dgn



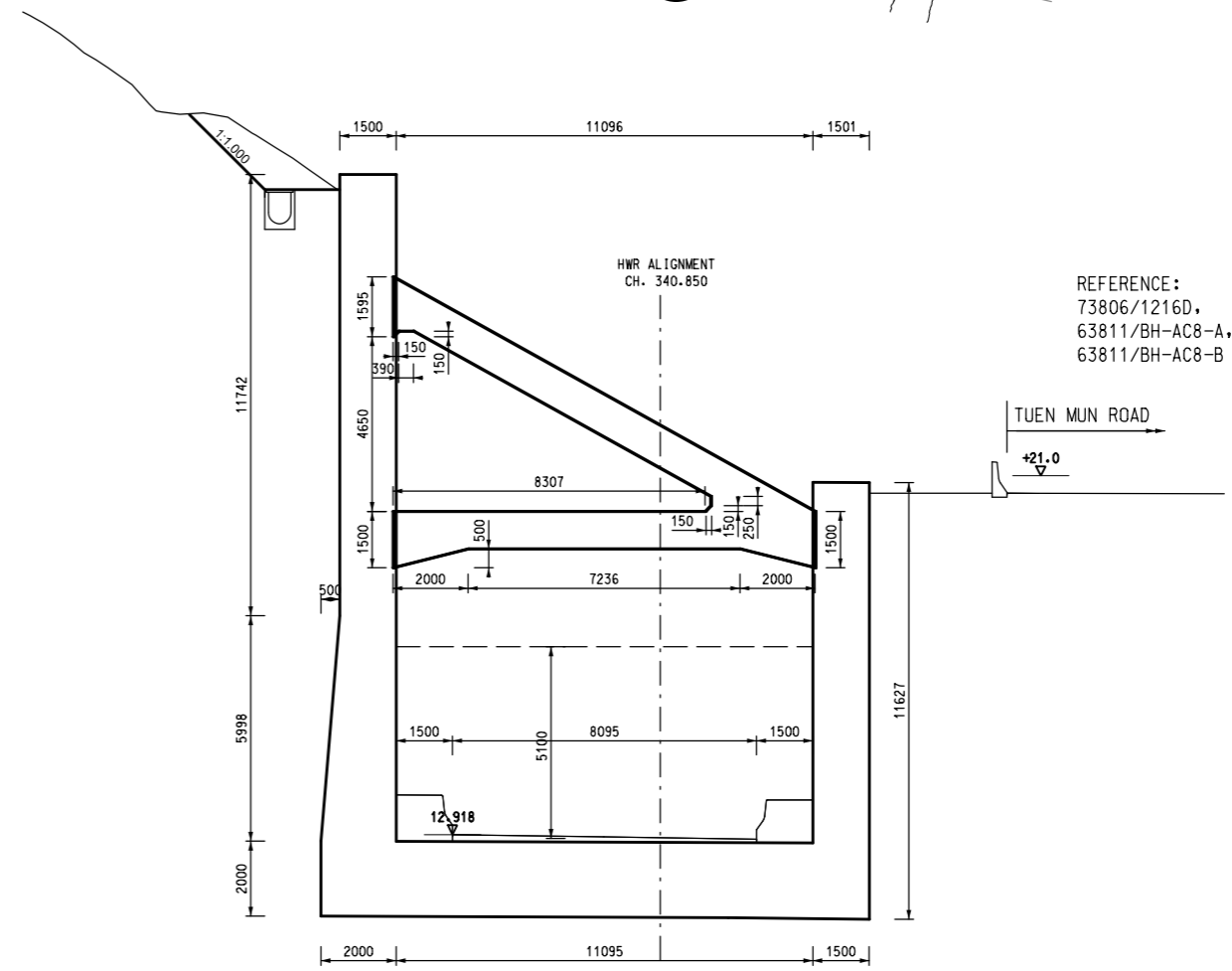
SECTION A  
 SCALE 1:100



SECTION B  
 SCALE 1:100



SECTION C  
 SCALE 1:100



SECTION D  
 SCALE 1:100



Rev	Description	By	Date

Consultant

Project title  
 AGREEMENT NO. CE 11/2021 (HY)  
 TRAFFIC IMPROVEMENT SCHEME IN TUEN MUN  
 - WIDENING AND ADDITION OF SLIP ROADS  
 AT LUNG FU ROAD/ TUEN MUN ROAD/  
 WONG CHU ROAD/ HOI WING ROAD -  
 INVESTIGATION, DESIGN AND CONSTRUCTION

Drawing title  
**HWRSR SECTIONS**

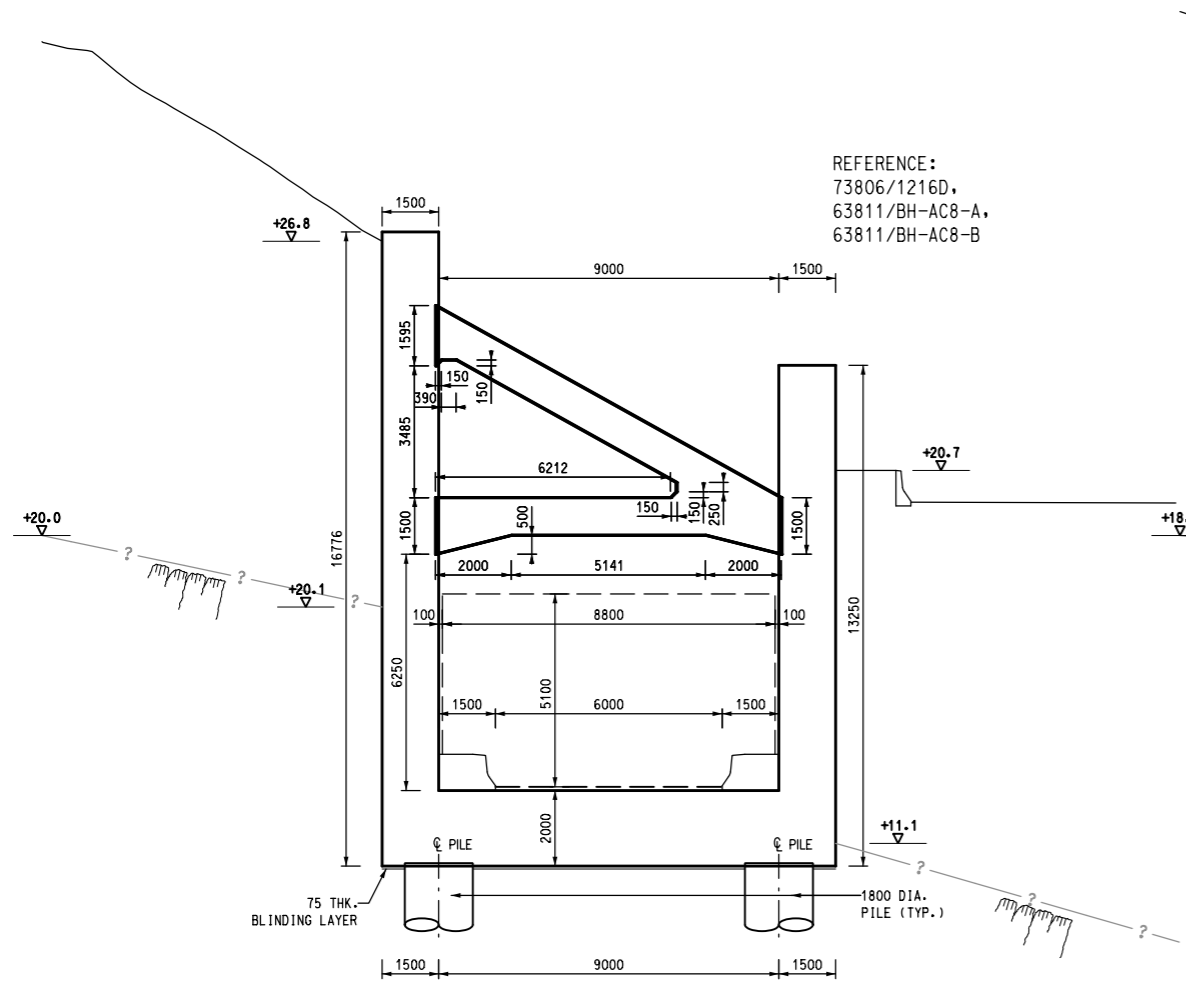
(SHEET 1)

Drawing no. CE11/GN/4021		Rev. -	
Drawn CADD	Date 10/21	Checked -	Approved -
Scale 1:200 (A3)		Status DRAFT	

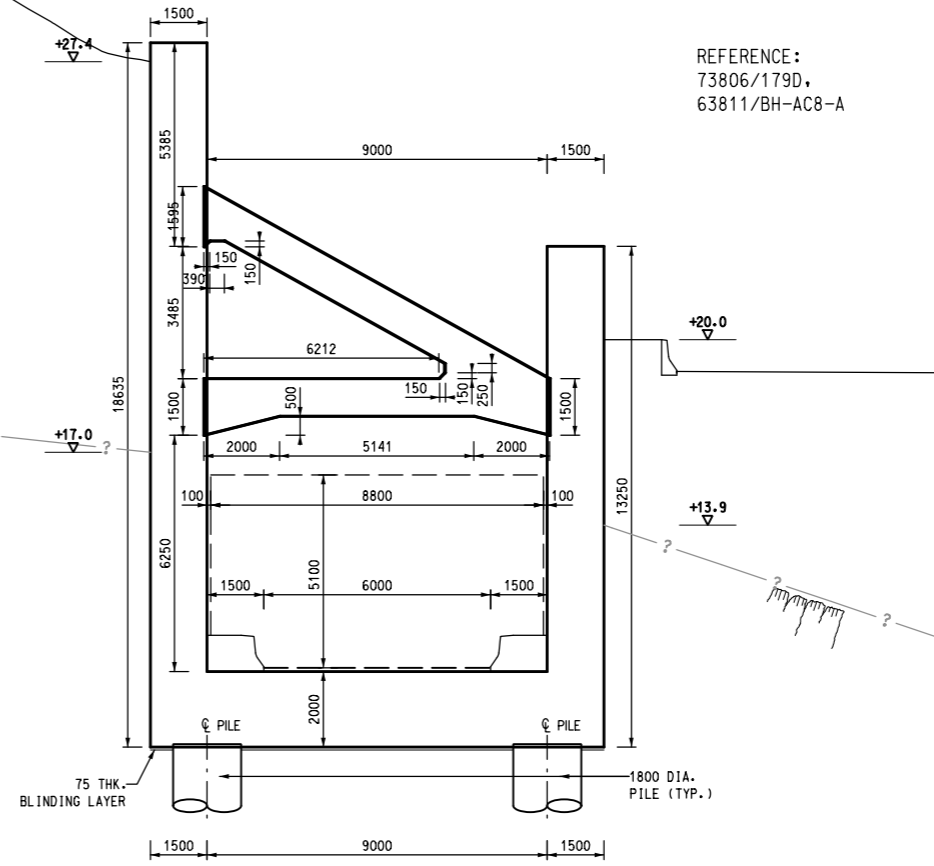
© COPYRIGHT RESERVED

路政署  
 HIGHWAYS DEPARTMENT  
 主要工程管理處  
 MAJOR WORKS PROJECT MANAGEMENT  
 OFFICE

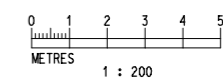
Date : 3/22/2023  
 Filename : X:\2512229A (CE11-2021-HY)\02\_Drawing\02-Figure\04\_HWRSR\CE11\_GN\_4022.dgn



SECTION E  
 SCALE 1:100




SECTION F  
 SCALE 1:100



Rev	Description	By	Date

Consultant




Project title  
 AGREEMENT NO. CE 11/2021 (HY)  
 TRAFFIC IMPROVEMENT SCHEME IN TUEN MUN  
 - WIDENING AND ADDITION OF SLIP ROADS  
 AT LUNG FU ROAD/ TUEN MUN ROAD/  
 WONG CHU ROAD/ HOI WING ROAD -  
 INVESTIGATION, DESIGN AND CONSTRUCTION

Drawing title  
**HWRSR  
 SECTIONS**

(SHEET 2)

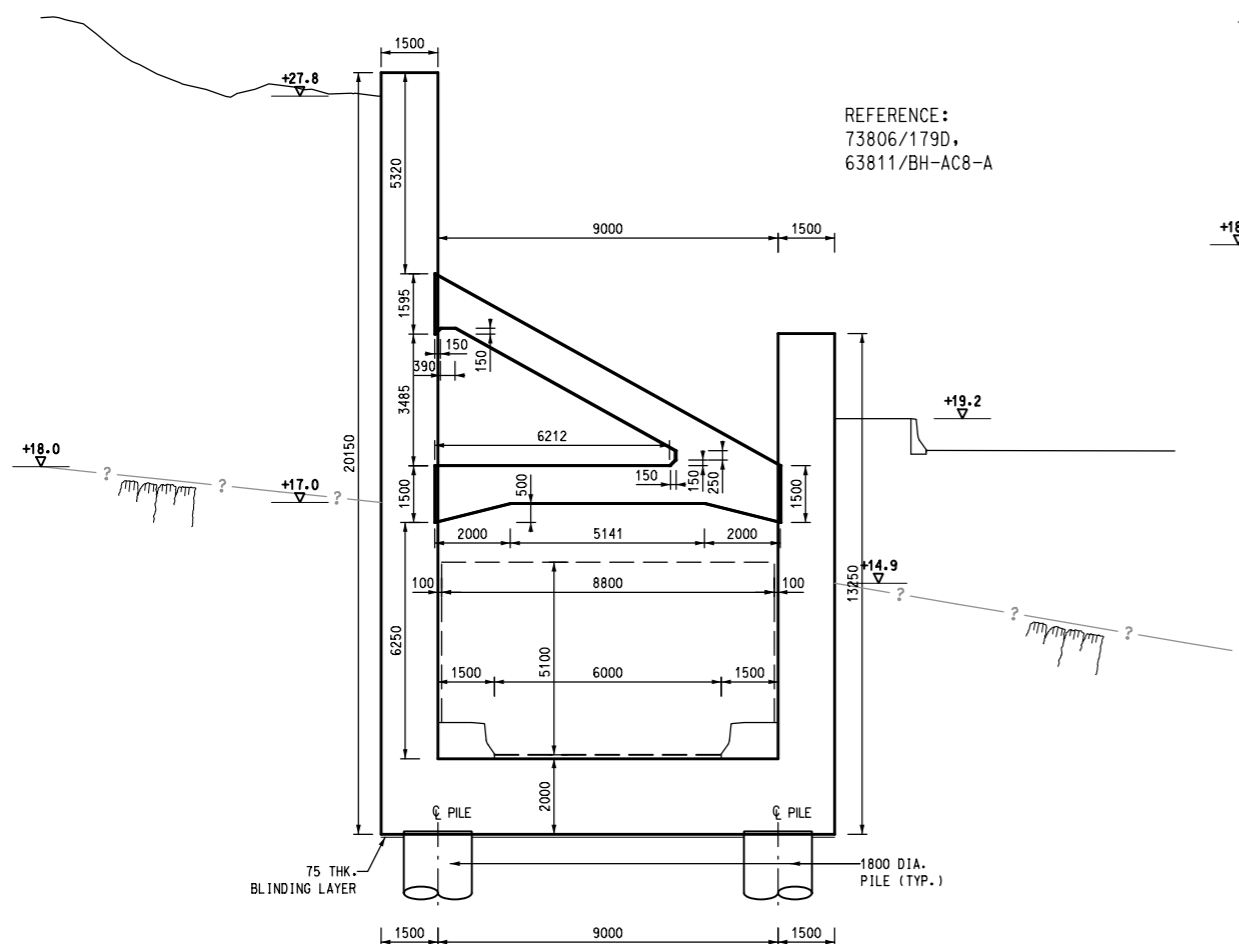
Drawing no. <b>CE11/GN/4022</b>		Rev. -	
Drawn CADD	Date 10/21	Checked -	Approved -
Scale 1:200 (A3)		Status DRAFT	

© COPYRIGHT RESERVED

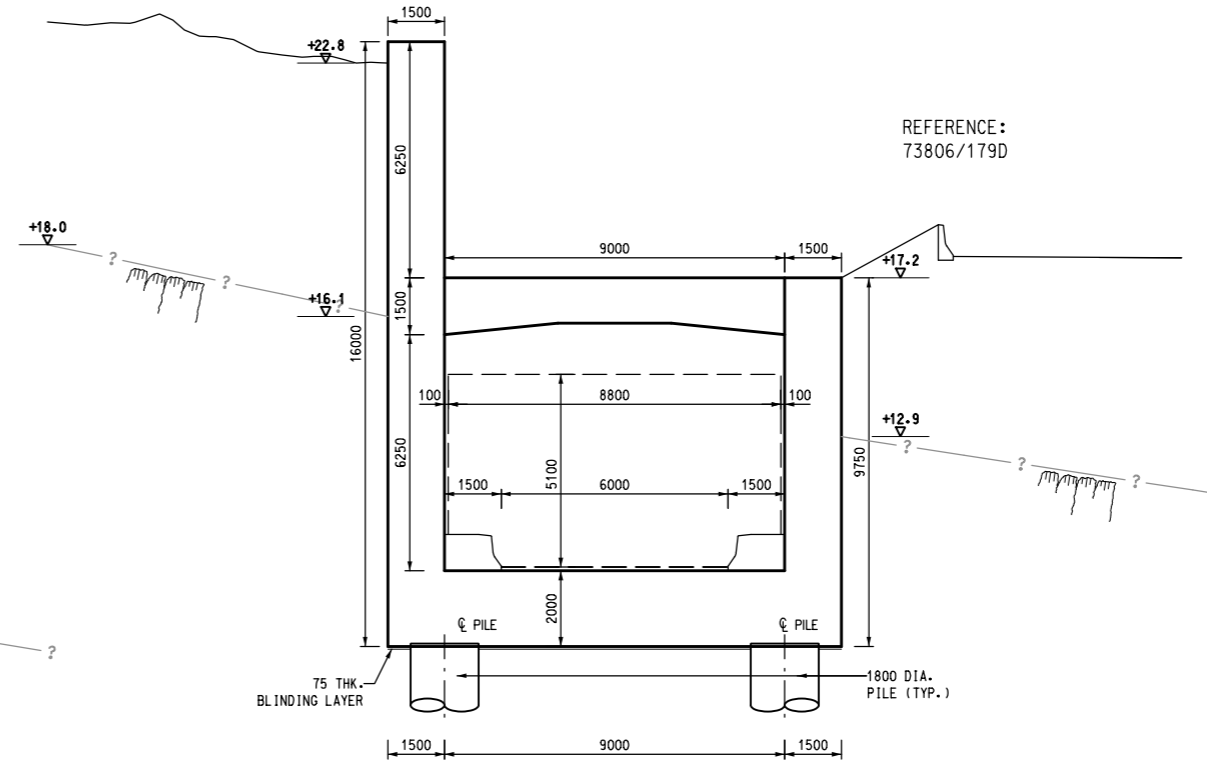


路政署  
**HIGHWAYS DEPARTMENT**  
 主要工程管理處  
 MAJOR WORKS PROJECT MANAGEMENT  
 OFFICE

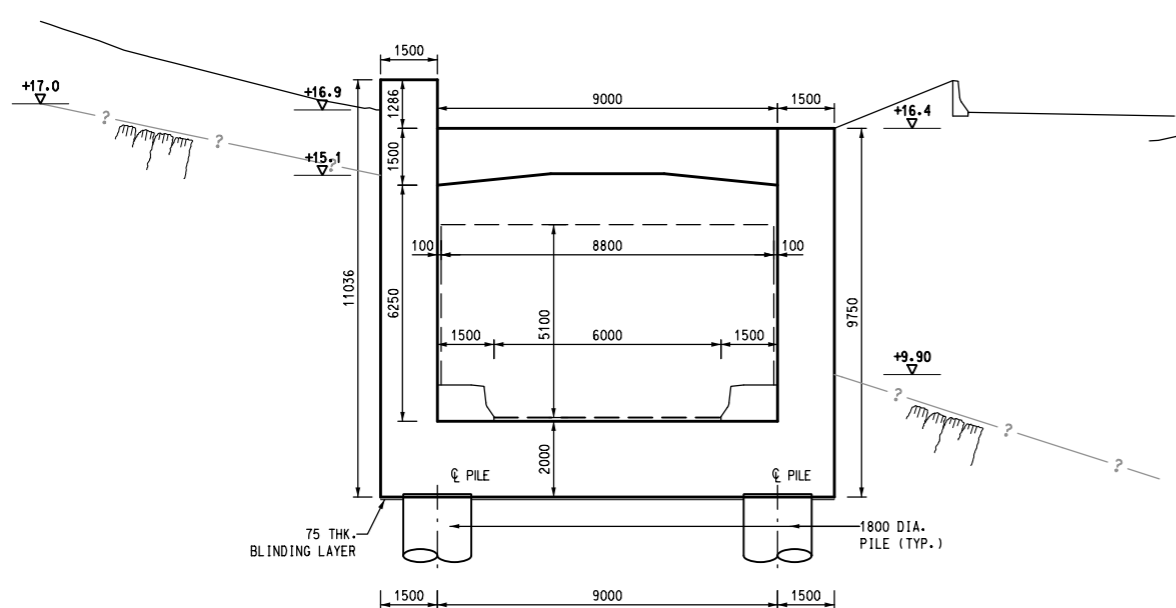
Date : 3/22/2023  
 Filename : X:\2512229A (CE11-2021-HY)\02\_Drawing\02-Figure\04\_HWRSR\CE11\_GN\_4023.dgn



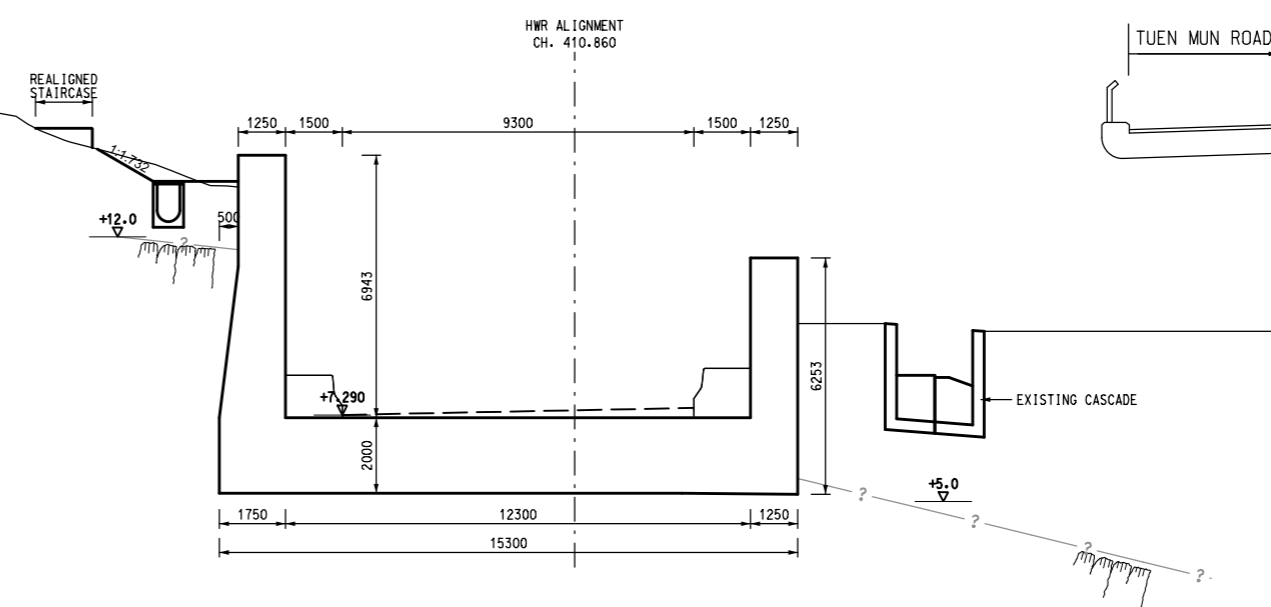
SECTION G  
 SCALE 1:100



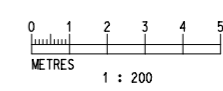
SECTION H  
 SCALE 1:100



SECTION I  
 SCALE 1:100



SECTION J  
 SCALE 1:100



Rev	Description	By	Date

Consultant

Project title  
 AGREEMENT NO. CE 11/2021 (HY)  
 TRAFFIC IMPROVEMENT SCHEME IN TUEN MUN  
 - WIDENING AND ADDITION OF SLIP ROADS  
 AT LUNG FU ROAD/ TUEN MUN ROAD/  
 WONG CHU ROAD/ HOI WING ROAD -  
 INVESTIGATION, DESIGN AND CONSTRUCTION

Drawing title  
**HWRSR SECTIONS**

(SHEET 3)

Drawing no. <b>CE11/GN/4023</b>		Rev. -	
Drawn CADD	Date 10/21	Checked -	Approved -
Scale 1:200 (A3)		Status DRAFT	

© COPYRIGHT RESERVED

路政署  
 HIGHWAYS DEPARTMENT  
 主要工程管理處  
 MAJOR WORKS PROJECT MANAGEMENT  
 OFFICE